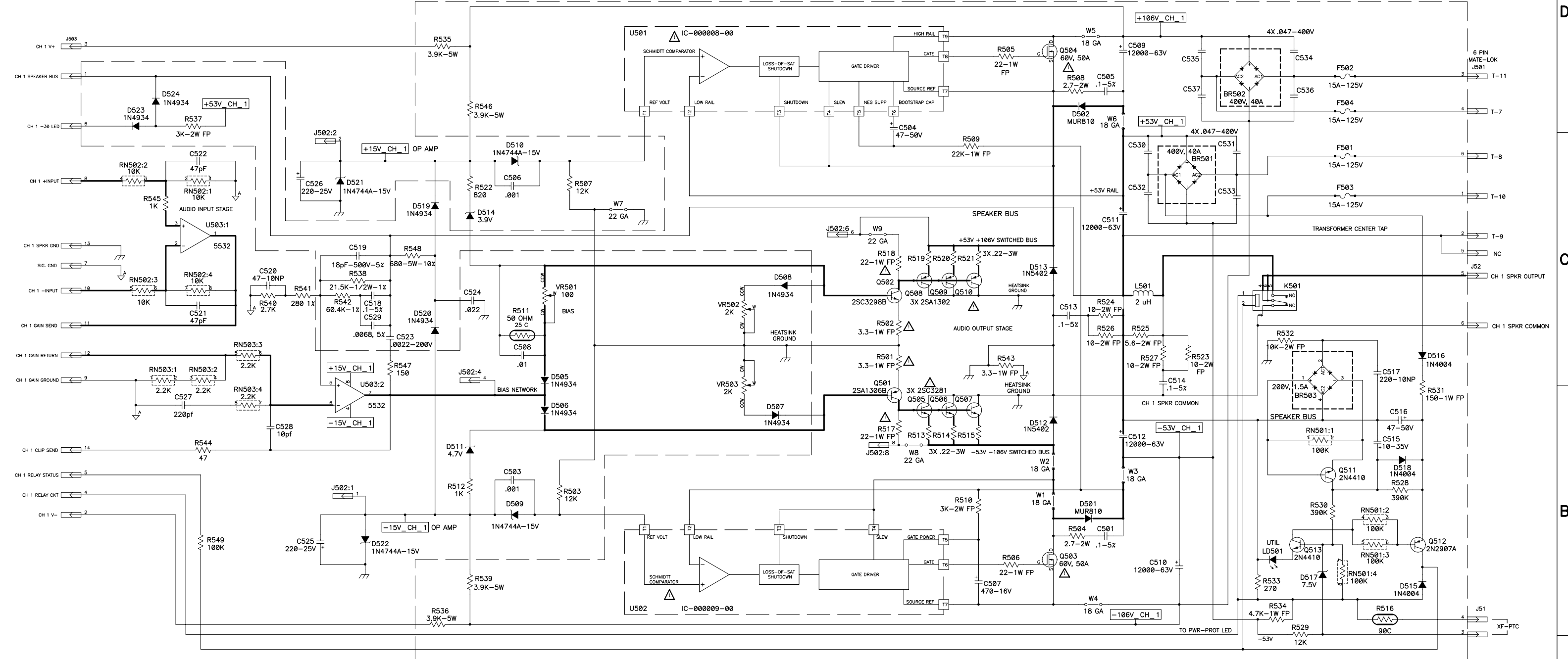


THIS DOCUMENT CONTAINS PROPRIETARY INFORMATION WHICH IS THE PROPERTY OF QSC AUDIO PRODUCTS, THAT MAY NOT BE DISCLOSED, REPRODUCED OR USED WITHOUT EXPRESS WRITTEN CONSENT FROM QSC AUDIO PRODUCTS.

REVISIONS				
ZONE	REV	DESCRIPTION	DATE	APPROVED
	E			



- 10. CH 2 IS LAID OUT ON RIGHT SIDE OF PC-001510-00 CIRCUIT SAME AS CH 1 ABOVE. SEE PART NUMBERING SCHEDULE.
 - 9. DIODES D525, 625 ARE USED ON MPX 300 MAIN AMP PCB ASSY., QSC P/N WP-000113-00, AND APPEAR ON PC-001510-00.
 - 8. PARTS ENCLOSED WITHIN DOTTED OUTLINE ----- HAVE VOLTAGES GREATER THAN 42V.
 - 7. PARTS MARKED WITH TRIANGLE Δ MUST BE REPLACED WITH EXACT TYPE ONLY.
 - 6. BRIDGE RECTIFIER BR 503, 603, 1.5A, 200V, QSC P/N QD-15200-BX.
 - 5. ZENERS D517, 617, MARKED 7.5V, LOW LEAKAGE, QSC P/N QD-0007.5-2T
 - 4. Q 503, 504 603, 604 ARE SWITCHING FETS, QSC P/N QD-000031-QD, 125W, 60V MINIMUM, ON-RESISTANCE 0.030 OHMS MAX.
 - 3. R516, 616 IS POSITIVE TEMPERATURE COEFFICIENT RESISTOR, MTD TO HEAT SINK. RESISTANCE 100 OHM COLD, RISING AT 85 C. QSC P/N RE-000009-PT
 - 2. ALL CAPACITORS 100V UNLESS OTHERWISE NOTED. TOLERANCE 20% FOR ELECTROLYTIC TYPES, 10% ON OTHER TYPES.
 - 1. ALL RESISTORS 1/4-WATT, 5% UNLESS NOTED.
- NOTES UNLESS OTHERWISE SPECIFIED

REFERENCE DESIGNATION		
HIGHEST NO. USED		
DESCRIPTION	CH 1	CH 2
BRIDGE RECTIFIER	BR503	BR603
CAPACITOR	C537	C637
DIODE	D525	D625
CONNECTOR	J503	J603
INDUCTOR	L501	L601
LED	LD501	LD601
TRANSISTOR	Q513	Q613
RESISTOR	R549	R649
RES NETWORK	RN503	RN603
IC	U503	U603
POTENTIOMETER	VR503	VR603
RELAY	K501	K601
FUSE	F504	F604

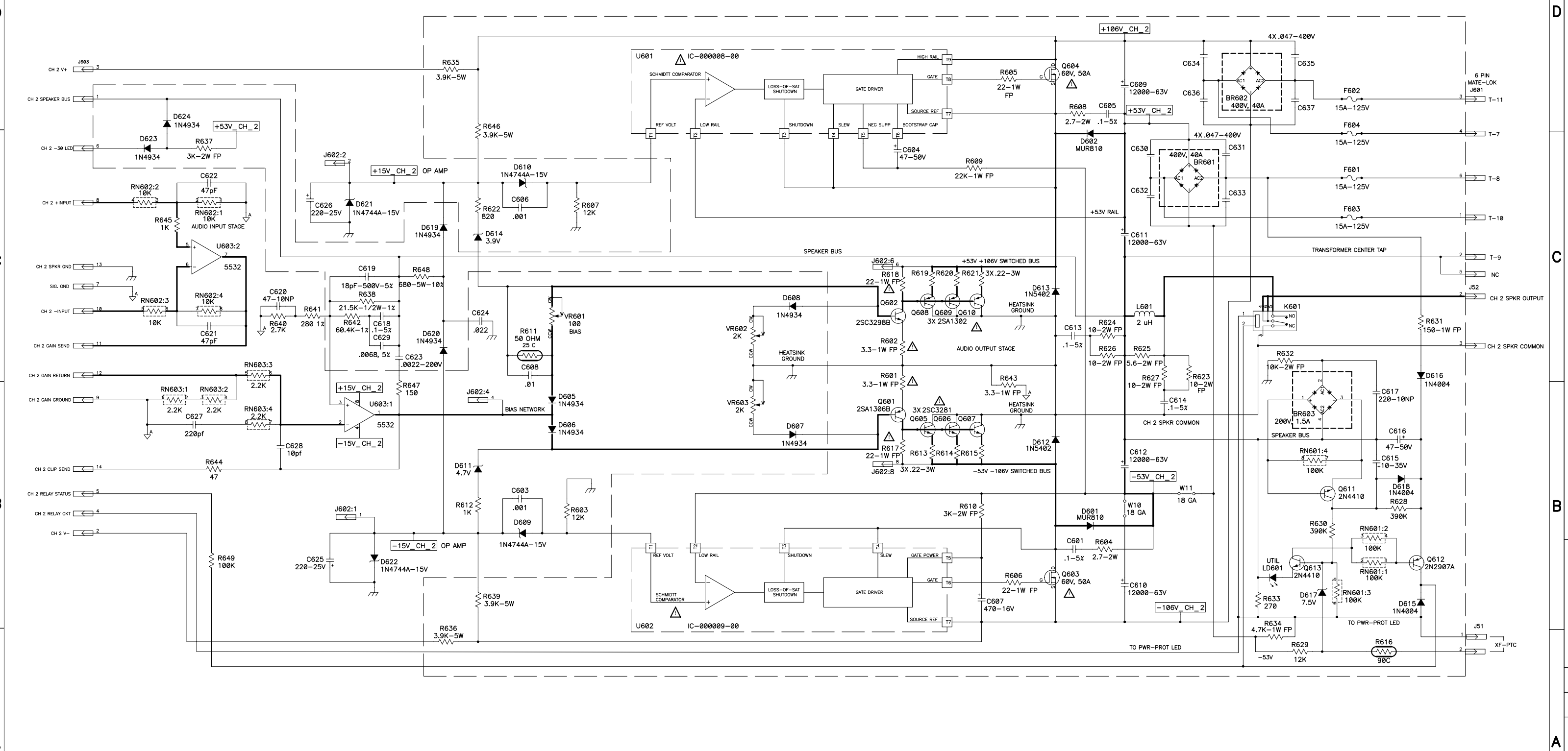
QTY	ITEM NO.	PART NO.	DESCRIPTION	VENDOR
UNLESS OTHERWISE SPECIFIED DIMENSIONS ARE IN INCHES. DIMENSIONS PER ANSI Y14.5-1982 TOLERANCES ARE: DECIMALS DECIMALS ANGLES .XX ± .02 .XXX ± .010 1/2° DEBURR EDGES .XXX R MAX MATERIAL				
APPROVALS			DATE	
DRAWN B. MOTTS			12-14-93	
CHECKED SGM			2-21-94	
ISSUED SG Morales			2-21-94	
CAD SEED FILE NO. SH0123E1.SCH				
SIZE D		FSCM NO.	DWG NO.	REV
SCALE		CAD FILE NO. SH0123F1.SCH	CX12 / CX12T	1 OF 2

QSC AUDIO PRODUCTS, INC.
COSTA MESA, CALIFORNIA

SCHEMATIC DIAGRAM
CX12/CX12T MAIN AMPLIFIER PCB

CX12 / CX12T DWG NO. 1 SH REV

THIS DOCUMENT CONTAINS PROPRIETARY INFORMATION WHICH IS THE PROPERTY OF QSC AUDIO PRODUCTS, THAT MAY NOT BE DISCLOSED, REPRODUCED OR USED WITHOUT EXPRESS WRITTEN CONSENT FROM QSC AUDIO PRODUCTS.

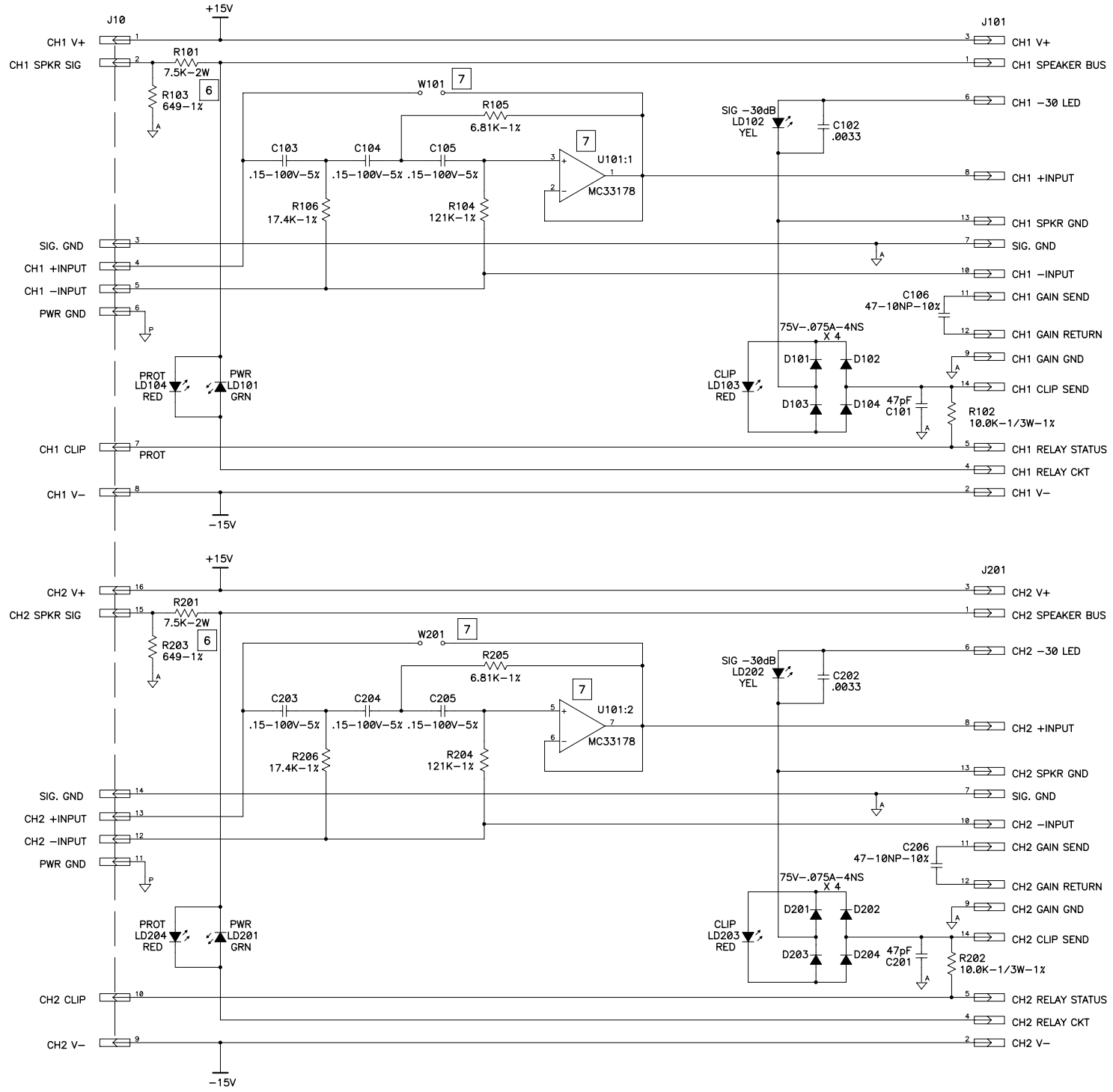


THIS DOCUMENT CONTAINS PROPRIETARY INFORMATION WHICH IS THE PROPERTY OF QSC AUDIO PRODUCTS, THAT MAY NOT BE DISCLOSED, REPRODUCED OR USED WITHOUT EXPRESS WRITTEN CONSENT FROM QSC AUDIO PRODUCTS.

REVISIONS				
ZONE	REV	DESCRIPTION	DATE	APPROVED
	1	PROTOTYPE RELEASE 8-14-95 AC		
	2	PROTOTYPE RELEASE 9-12-95 AC		
	3	PROTOTYPE RELEASE 10-4-95 AC		
	A	PROD. RELEASE PER ECO 2875 AC (EFF. 12-1-95)	11-28-95	TS
	B	REVISE PER ECO 3480 AC (EFF. 12-5-97)	11-11-97	TS
	B1	REVISE PER ECO 4471 WR (EFF. 1-19-01)		

CH1

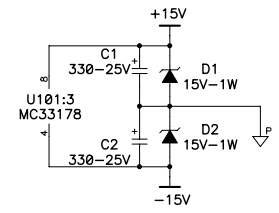
CH2



7 CONFIGURATION OF JUMPERS AND OPAMPS TO MODELS:

MODEL	ASSEMBLY NO.	W101/201	U101:1/2
CX6	WP-000944-00	IN PLACE	REMOVED
CX6T	WP-000944-01	CUT/REMOVED	INSTALLED
CX12	WP-000944-02	IN PLACE	REMOVED
CX12T	WP-000944-03	CUT/REMOVED	INSTALLED

- 6 FOR CX12: R103/203 VALUE IS 487-1X.
R101/201 VALUE IS 8.2K-2W.
5. PARTS IN COMMON TO BOTH CHANNELS NUMBERED 1-99.
 4. CH 2 COMPONENTS NUMBERED 201-299.
 3. CH 1 COMPONENTS NUMBERED 101-199.
 2. ALL RESISTORS IN OHMS 1/4 WATT, ±5%.
 1. ALL CAPACITORS IN uF, 25V.
- NOTES: UNLESS OTHERWISE SPECIFIED



TABULATION BLOCK		
DASH NO.	MODEL	USED ON
-00	CX6	WP-000944-00
-01	CX6T	WP-000944-01
-02	CX12	WP-000944-02
-03	CX12T	WP-000944-03

OBSOLETE - NOT REPLACED

QTY	ITEM NO.	PART NO.	DESCRIPTION	VENDOR
UNLESS OTHERWISE SPECIFIED DIMENSIONS ARE IN INCHES. DIMENSIONS PER ANSI Y14.5-1982 TOLERANCES ARE:				
DECIMALS		DECIMALS	ANGLES	
.XX ±		.XXX ±	0	
MATERIAL				
FINISH				
NEXT ASSY USED ON				
APPLICATION DO NOT SCALE DRAWING				

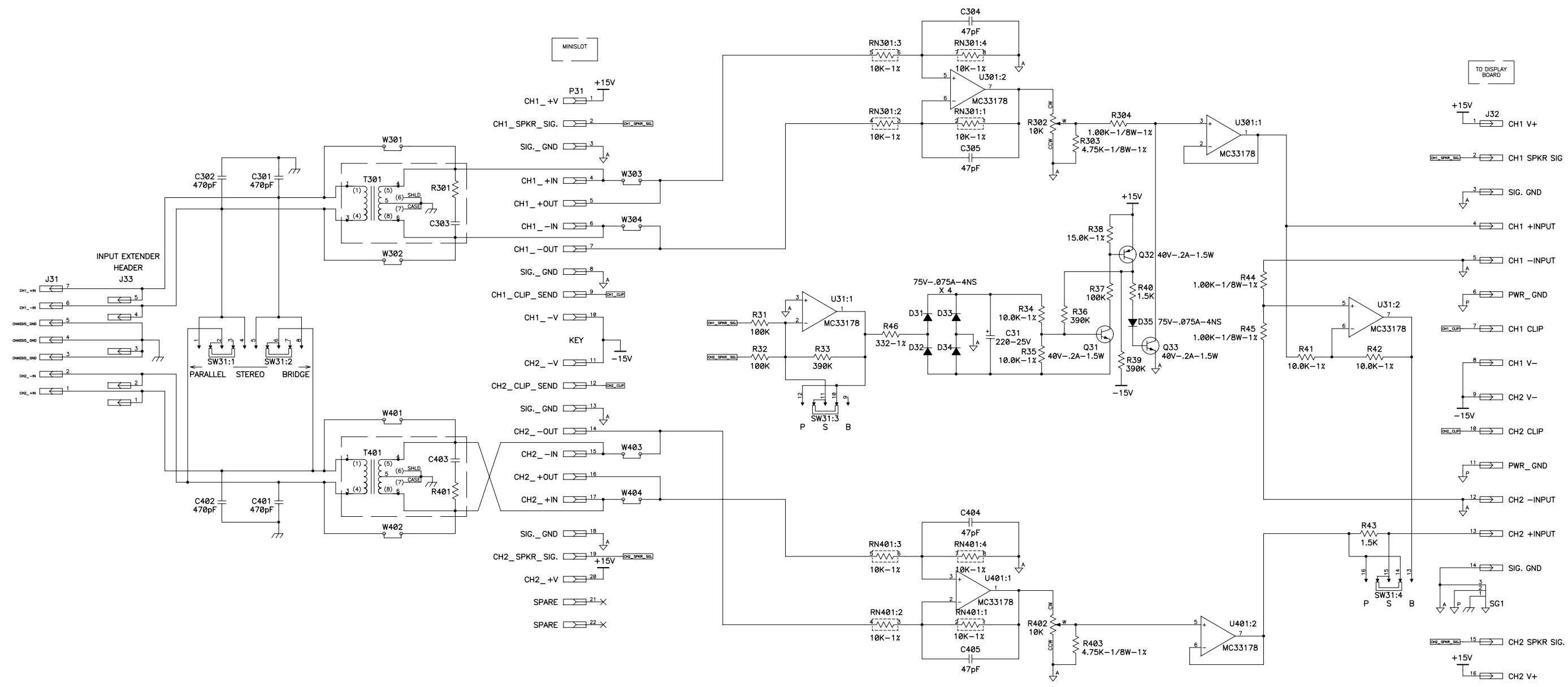
APPROVALS		DATE
DRAWN Robert Becker		7-26-95
CHECKED W. RULAND		11-29-95
ISSUED TIM SHOOK		11-29-95

CONTRACT NO.		QSC AUDIO PRODUCTS, INC. COSTA MESA, CALIFORNIA	
SCHEMATIC DIAGRAM			
DISPLAY BOARD CX6/CX12, CX6T/CX12T			
SIZE D	FSCM NO.	DWG NO. SH-000944-XX	REV B1
CAD FILE NO. SH0944-B.SCH	Thu Sep 27, 2007	CAD FILE NO. sh944-b1.sch	SHEET 1 OF 1

SH-000944-XX DWG NO. B1 REV 1 SH

THIS DOCUMENT CONTAINS PROPRIETARY INFORMATION WHICH IS THE PROPERTY OF QSC AUDIO PRODUCTS, THAT MAY NOT BE DISCLOSED, REPRODUCED OR USED WITHOUT EXPRESS WRITTEN CONSENT FROM QSC AUDIO PRODUCTS.

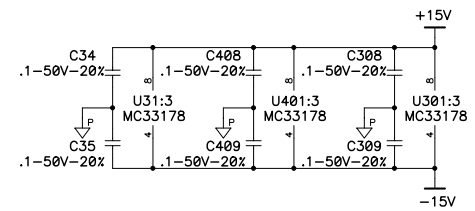
REVISIONS				
ZONE	REV	DESCRIPTION	DATE	APPROVED
	A	PROD. RELEASE PER ECO 2876 AC (EFF. 12-1-95)	11-28-95	T.S.
	B	REVISED PER ECO 2923 AC (EFF. 1-19-96)	1-19-96	T.S.
	C	REVISED PER ECO 3191 AA (EFF. 9-06-96)	1-19-96	T.S.
	D	REVISED PER ECO 3610 AA (EFF. 2-20-98)	2-16-98	T.S.
	D1	REVISED PER ECO 4471 WR (EFF. 1-19-01)		



OBSELETE - NOT REPLACED

- PARTS IN COMMON TO BOTH CHANNELS NUMBERED 31-49.
- CH 2 COMPONENTS NUMBERED 401-499.
- CH 1 COMPONENTS NUMBERED 301-399.
- ALL RESISTORS IN OHMS 1/4 WATT, ±5%.
- ALL CAPACITORS IN uF.
- TRANSFORMER PIN NUMBERS: 1-6 TRIAD TY-144P (1-8 JENSEN JT 8043).
- PARTS WITHIN DASHED OUTLINE FOR USER MODIFICATION. SEE MANUAL.
- BOARD SHIPPED WITH W301-304, W401-404 MOUNTED AS SHOWN.
- THIS DRAWING USED IN CONJUNCTION WITH PCB ASSEMBLY WP-000943-00 AND FABRICATION DRAWING PC-000943-00.

NOTES: UNLESS OTHERWISE SPECIFIED



QTY	ITEM NO.	PART NO.	DESCRIPTION	VENDOR
PARTS LIST				
UNLESS OTHERWISE SPECIFIED DIMENSIONS ARE IN INCHES. DIMENSIONS PER ANSI Y14.5-1982 TOLERANCES ARE:			CONTRACT NO.	
DECIMALS .XX ±	DECIMALS .XXX ±	ANGLES 0	APPROVALS	
DEBURR EDGES .XXX R MAX			DRAWN Robert Becker	DATE 7-21-95
MATERIAL			CHECKED W. RULAND	DATE 11-28-95
FINISH			ISSUED TIM SHOOK	DATE 11-28-95
NEXT ASSY USED ON			CAD SEED FILE NO.	SCALE
APPLICATION			DO NOT SCALE DRAWING	

QSC AUDIO PRODUCTS, INC.
COSTA MESA, CALIFORNIA

SCHEMATIC DIAGRAM
INPUT CX SERIES

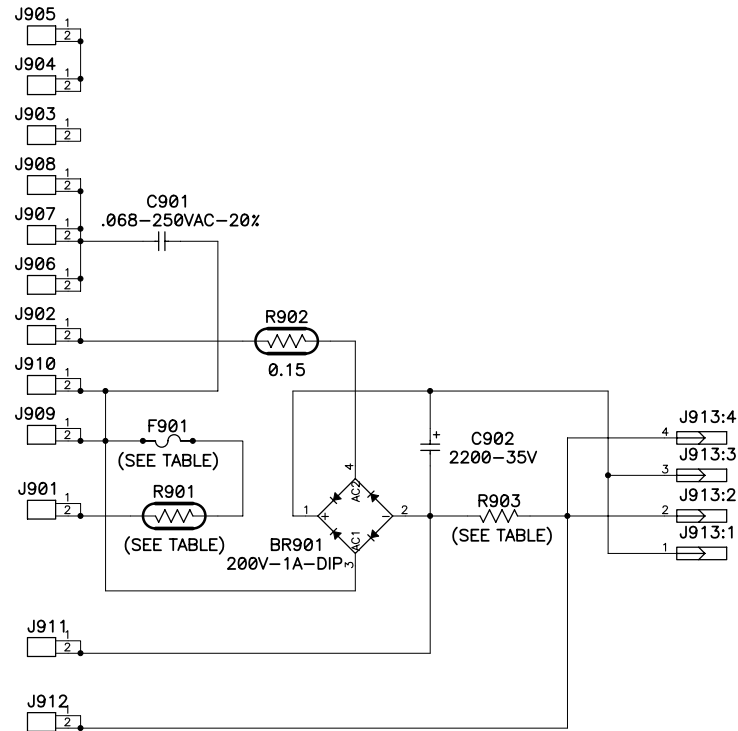
SIZE: **D** FSCM NO. DWG NO. **SH-000943-00** REV **D1**

SHEET 1 OF 1

D1 SH-000943-00 DWG NO.

THIS DOCUMENT CONTAINS PROPRIETARY INFORMATION WHICH IS THE PROPERTY OF QSC AUDIO PRODUCTS, THAT MAY NOT BE DISCLOSED, REPRODUCED OR USED WITHOUT EXPRESS WRITTEN CONSENT FROM QSC AUDIO PRODUCTS.

REVISION				
REV	DESCRIPTION	EFF. DATE	CHK	APPROVED / DATE
1	PROTOTYPE RELEASE 8-14-95 AC			
A	PRODUCTION RELEASE PER ECO 2861 AC	12-1-95		TS 11-28-95
B	REVISED PER ECO 2936 AC	12-1-96		TS 1-26-96
C	REVISED PER ECO 3065 WR	2-28-97		TS 12-16-96
C1	REVISED PER ECO 3376 MP	4-25-97		TS 4-10-97
C2	REVISED PER ECO 4471 WR	1-19-01		



PART VALUE					
REF DESG.	AC LINE VOLTAGE	AMPLIFIER MODEL			
		CX 12/12T	MX1500a	CX 6/6T	MX1000a
F901	100/120V	30A	30A	20A	20A
	230V	15A	15A	12A	12A
R901	100/120V	1 OHM	1 OHM	1 OHM	1 OHM
	230V	2.5 OHM	2.5 OHM	2.5 OHM	2.5 OHM
R903	ALL	68 OHM	100 OHM	68 OHM	220 OHM

OBSOLETE – NOT REPLACED

3. ALL CAPACITOR VALUES IN MICROFARADS, + \pm 20%.
2. ALL RESISTOR VALUES ARE IN OHMS, + \pm 5%.
1. THIS DRAWING USED IN CONJUNCTION WITH PCB ASSEMBLY WP-000945-00 AND FAB DRAWING PC-000945-00.

NOTES: UNLESS OTHERWISE SPECIFIED

PARTS LIST					
UNLESS OTHERWISE SPECIFIED DIMENSIONS ARE IN INCHES. DIMENSIONS PER ANSI Y14.5-1982		CONTRACT NO.		QSC AUDIO PRODUCTS, INC. COSTA MESA, CALIFORNIA	
TOLERANCES ARE: DECIMALS .xx \pm .02 DECIMALS .xxx \pm .010 ANGLES \pm 1/2 $^{\circ}$ DEBURR EDGES .010 R MAX		APPROVALS	DATE	SCHEMATIC DIAGRAM DC FAN AC PCB	
MATERIAL		DRAWN ROBERT BECKER	11-29-95	SIZE C	FSCM NO. DWG NO. SH-000945-00
FINISH		CHECKED W. RULAND	11-29-95	SCALE	REV C2
WP-000945-00	CX/MX 2 SP. SERIES	ISSUED T. SHOOK	11-29-95	CAD FILE NO. sh945-c2.sch	SHEET 1 OF 1
NEXT ASSY	USED ON	CAD SEED FILE NO.		P:\TANGOPROV\CMX\AC_PCB	
APPLICATION DO NOT SCALE DRAWING					