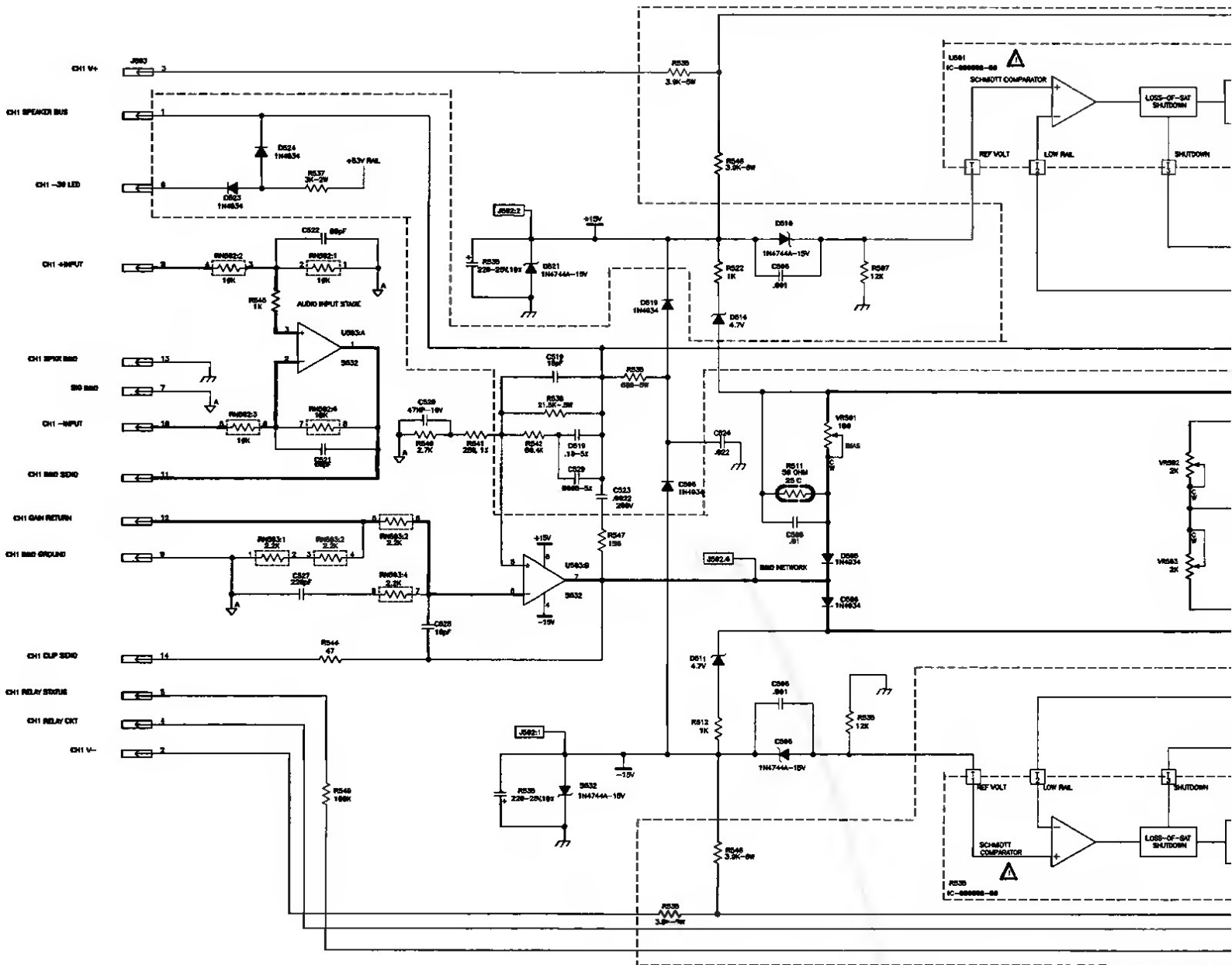




# SCHEMATIC DIAGRAM, C1 Main PCB Assy



10. DIODES D525, 625 ARE USED ON MPX 300 MAIN AMP PCB ASSY., P/N WP-000113-00, AND APPEAR ON PC-001510-00.

9. PARTS ENCLOSED WITHIN DOTTED OUTLINE HAVE VOLTAGES GREATER THAN 42V

8. PARTS MARKED WITH TRIANGLE MUST BE REPLACED WITH EXACT TYPE ONLY.

7. BRIDGE RECTIFIER BR 563, 603, 1.5A, 100V.

5. ZENERS D517, 617, MARKED 7.5V, LOW LEAKAGE, P/N QD-0007.5-ZT

5. Q 503, 504 603, 604 ARE SWITCHING FETS, P/N QD-000031-QD, 125W, 00V MINIMUM, ON-RESISTANCE 0.030 OHMS MAX.

4. RS16, 616 IS POSITIVE TEMPERATURE COEFFICIENT RESISTOR, MTD TO HEAT SINK. RESISTANCE 100 OHM COLD, RISING AT 00 C. P/N RE-000000-PT

3. ALL CAPACITORS 100V UNLESS OTHERWISE NOTED.

TOLERANCE 20% FOR ELECTROLYTIC TYPES, 10% ON OTHER TYPES.

2. ALL RESISTORS 1/4-WATT, 5% UNLESS NOTED.

1. CH2 IS IDENTICAL TO CH1, EXCEPT PART NUMBER SEQUENCE R 001, 602 ETC.

NOTES UNLESS OTHERWISE SPECIFIED

