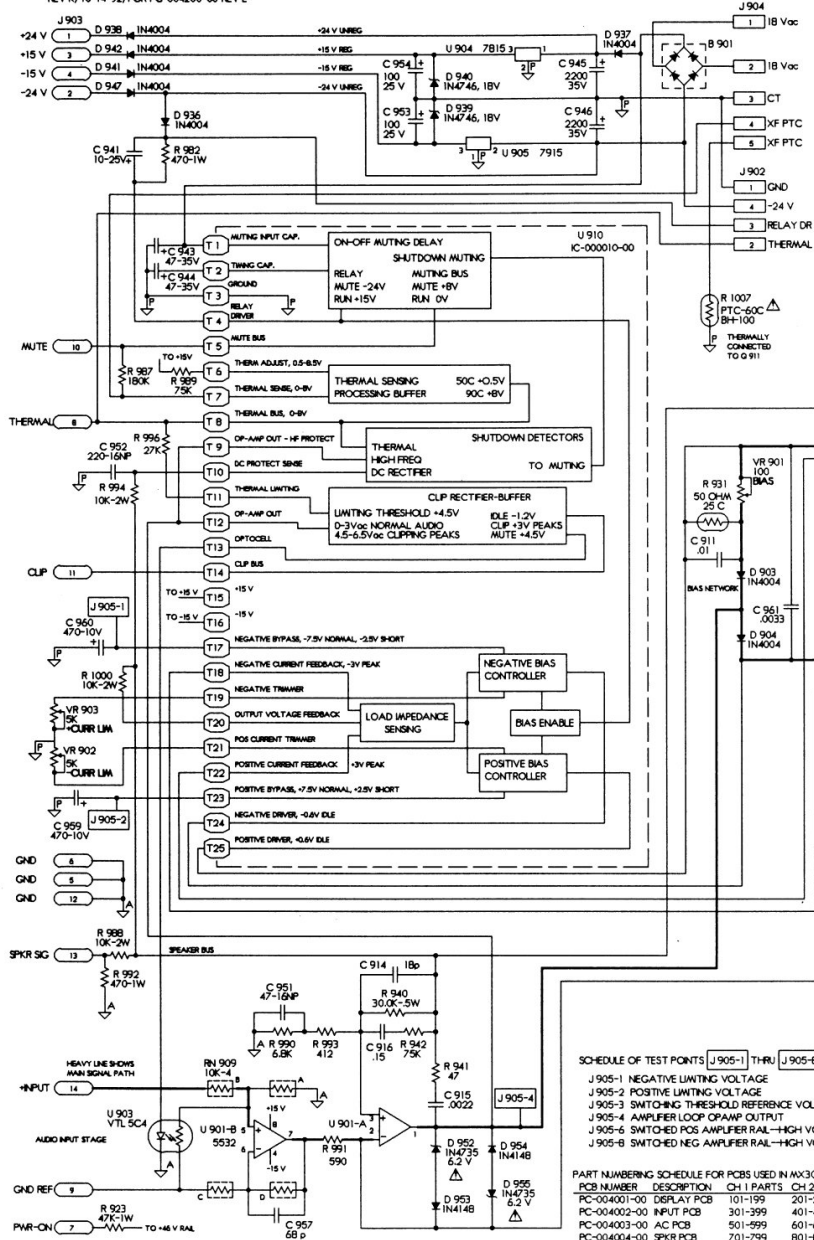


SCHEMATIC, AMPLIFIER CHANNEL, MX3000  
REV K, 10-14-92, FOR PC-004200-00 REV E

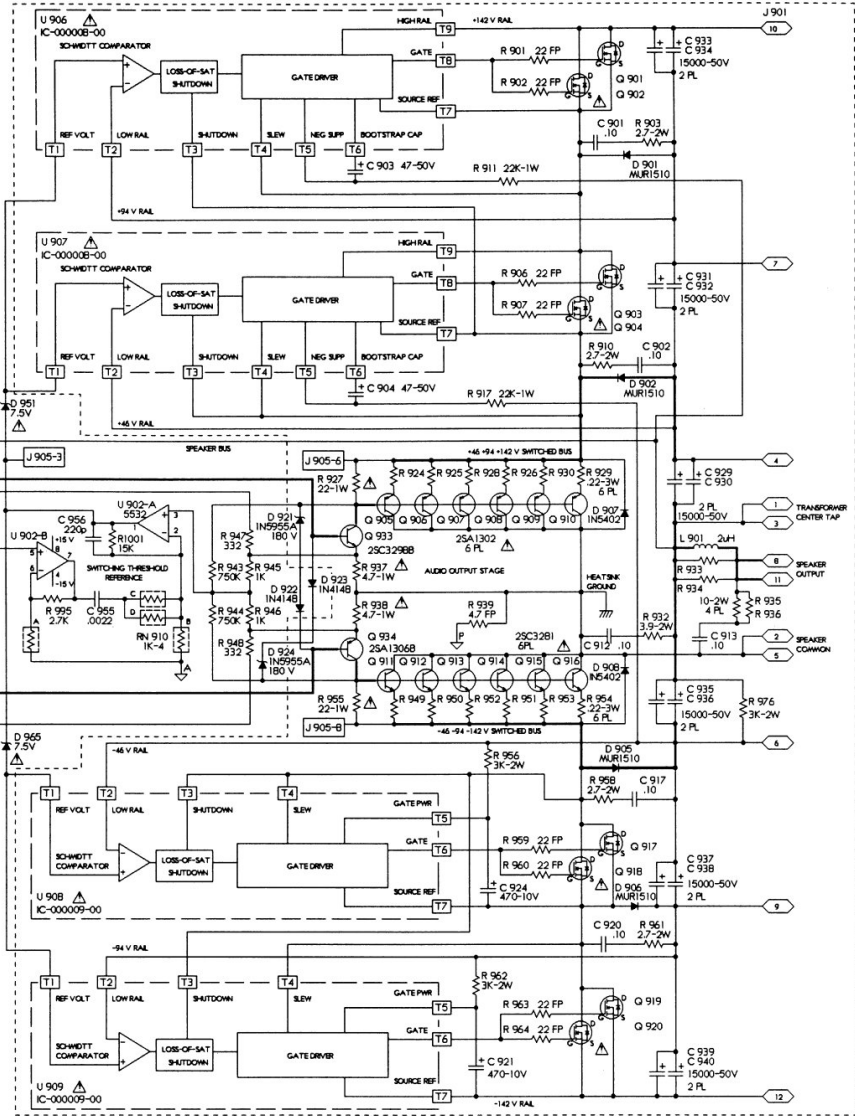


SCHEDULE OF TEST POINTS J905-1 THRU J905-8

J905-1 NEGATIVE LIMITING VOLTAGE  
J905-2 POSITIVE LIMITING VOLTAGE  
J905-3 SWITCHING THRESHOLD REFERENCE VOLTAGE  
J905-4 AMPLIFIER LOOP OPAMP OUTPUT  
J905-5 SWITCHED POS AMPLIFIER RAIL-HIGH VOLTAGE  
J905-6 SWITCHED NEG AMPLIFIER RAIL-HIGH VOLTAGE

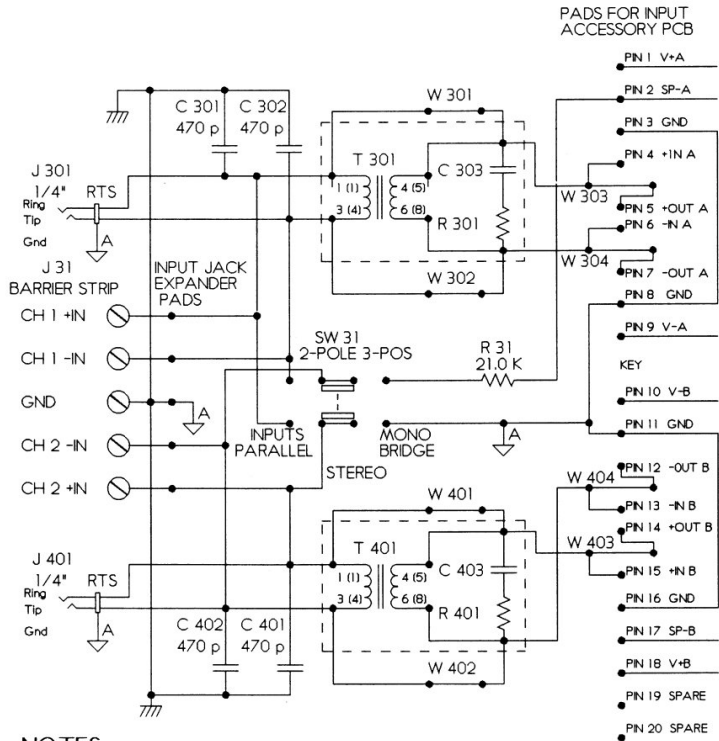
PART NUMBERING SCHEDULE FOR PCBs USED IN MX3000

PCB NUMBER	DESCRIPTION	CH-1 PARTS	CH-2 PARTS	PARTS IN COMMON
PC-004001-00	DISPLAY PCB	101-199	201-299	1-29
PC-004002-00	INPUT PCB	301-399	401-499	31-49
PC-004003-00	AC PCB	501-599	601-699	51-69
PC-004004-00	SPKR PCB	701-799	801-899	71-99
PC-004200-00	AMP CHANNEL	901-UP (SAME BOARD FOR CH 1, CH2)		



- NOTES.
1. ALL RESISTORS 1/4-WATT, 5% UNLESS NOTED.
  2. ALL CAPACTORS 100V UNLESS NOTED.
  3. BRIDGE RECTIFIER B 901, 1.5A, 100V.
  4. R 1007 IS POSITIVE TEMPERATURE COEFFICIENT RESISTOR MOUNTED TO HEAT SINK.
  5. Q 901-904, 917-920 ARE SWITCHING PETS. QSC P/N QD-000013-0D OR QD-000031-0D. 125 W, 60 V MINIMUM, ON-RESISTANCE 0.030 OHMS MAX.
  6. ZENERS D 952, 955, 6.2V-500mW, TESTED FOR LOW LEAKAGE, QSC P/N QD-000024-0D.
  7. ZENERS D 952, 955, 6.2V-500mW, TESTED FOR LOW LEAKAGE, QSC P/N QD-000024-0D.
  8. PARTS MARKED WITH TRIANGLE  $\Delta$  MUST BE REPLACED WITH EXACT TYPE ONLY.
  9. PARTS ENCLOSED WITHIN DOTTED OUTLINE - - - HAVE VOLTAGES GREATER THAN 42V.

SCHEMATIC, MX<sub>a</sub> SERIES STANDARD INPUT BOARD

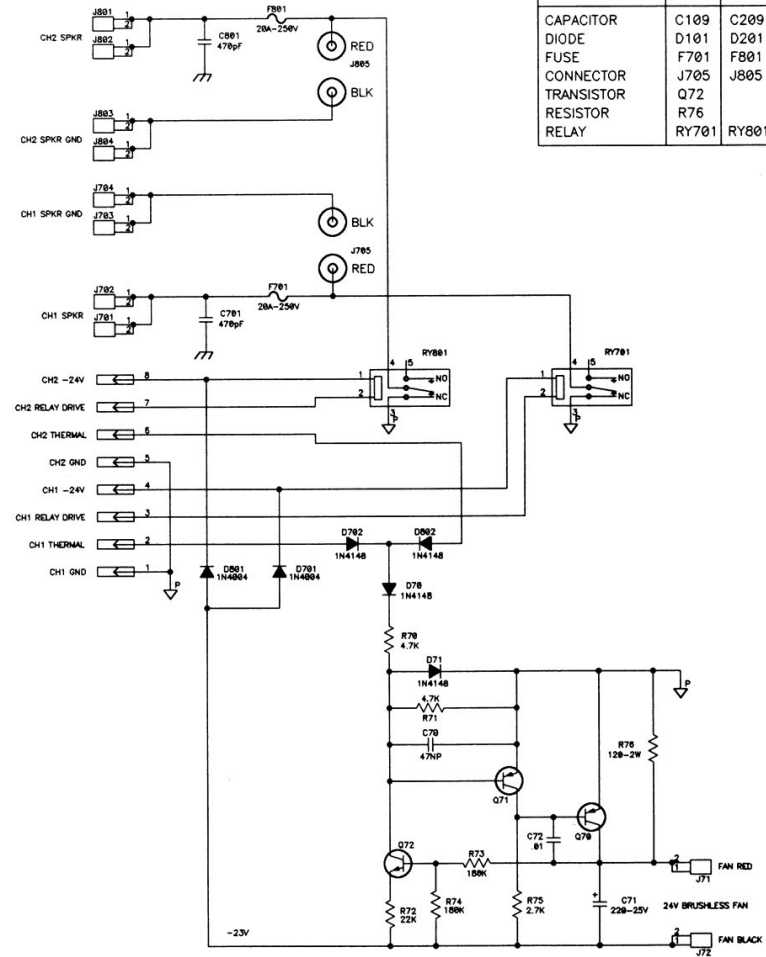


NOTES

1. BOARD SHIPPED WITH W 301-304, W 401-404 MOUNTED AS SHOWN.
2. PARTS WITHIN DOTTED OUTLINE FOR USER MODIFICATION. SEE MANUAL.
3. TRANSFORMER PIN NUMBERS: 1-8 QSC XF-1 (JENSEN XFMR)

SCHEMATIC, OUTPUT BOARD, MX3000<sub>a</sub>  
PC-004004-00 REV D 1-26-94

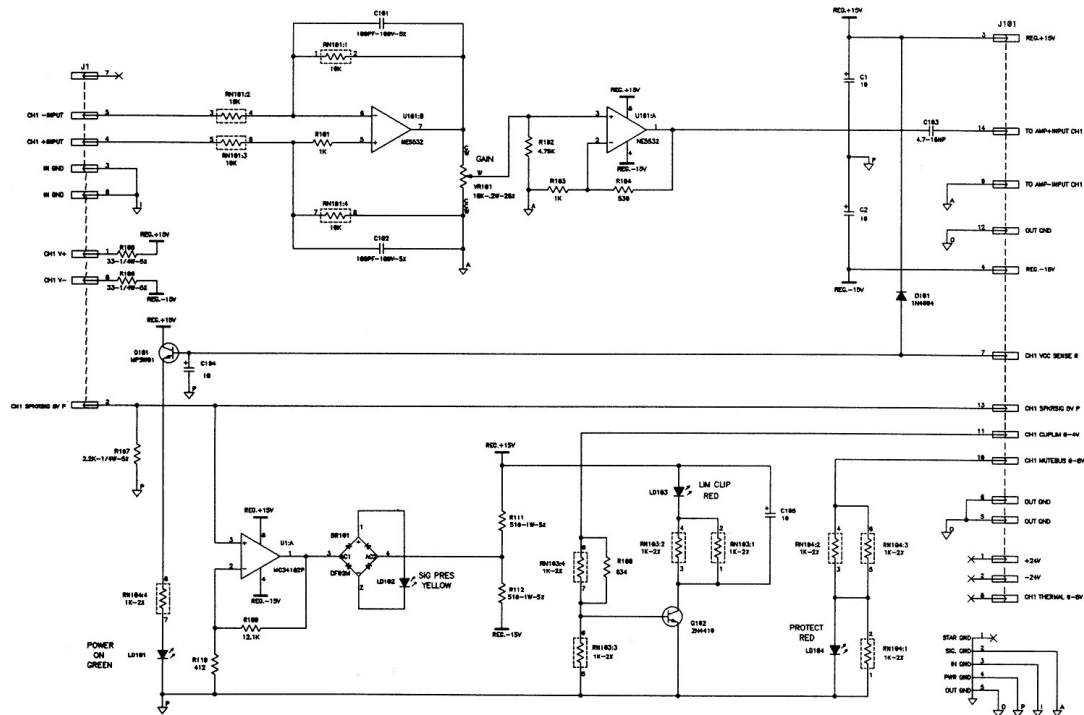
REFERENCE DESIGNATION		
HIGHEST NO. USED		
DESCRIPTION	CH1	CH2
CAPACITOR	C109	C209
DIODE	D101	D201
FUSE	F701	F801
CONNECTOR	J705	J805
TRANSISTOR	Q72	
RESISTOR	R76	
RELAY	RY701	RY801



8. Q72, QSC PART QD-004410-TX
  7. Q71, QSC PART QD-008599-TX
  6. Q70, QSC PART QD-002763-TL
  5. PARTS IN COMMON TO CH 1 & 2 NUMBERED 70-79.
  4. CH 2 COMPONENTS NUMBERED 801-899.
  3. CH 1 COMPONENTS NUMBERED 701-799.
  2. ALL RESISTORS IN OHMS 1/4 WATT, ± 5%.
  1. ALL CAPACITORS IN uF, 100V, ± 10%.
- NOTES: UNLESS OTHERWISE SPECIFIED

SCHEMATIC, DISPLAY BOARD, MX3000a  
 FOR PC-003002-00 REV A  
 DOC NO. SH-003002-00 REV A

SCHEMATIC, ACPCB, MX3000a



- 9. X — DENOTES NO CONNECTION.
- 8. LD101, 201, HIGH-EFFICIENCY GREEN LED.
- 7. LD102, 202, HIGH-EFFICIENCY YELLOW LED.
- 6. LD103, 104, 203, 204, HIGH-EFFICIENCY RED LED.
- 5. PARTS IN COMMON TO BOTH CHANNELS NUMBERED 1-99.
- 4. CH 2 COMPONENTS NUMBERED 201-299.
- 3. CH 1 COMPONENTS NUMBERED 101-199.
- 2. ALL RESISTORS IN OHMS, 1/8 WATT, 1%.
- 1. ALL CAPACITORS IN uF, 35V, 20%.

NOTES: UNLESS OTHERWISE SPECIFIED

SCHEMATIC DIAGRAM,  
 DISPLAY BOARD, MX3000a

