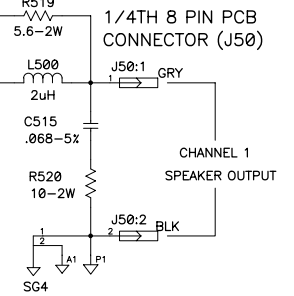
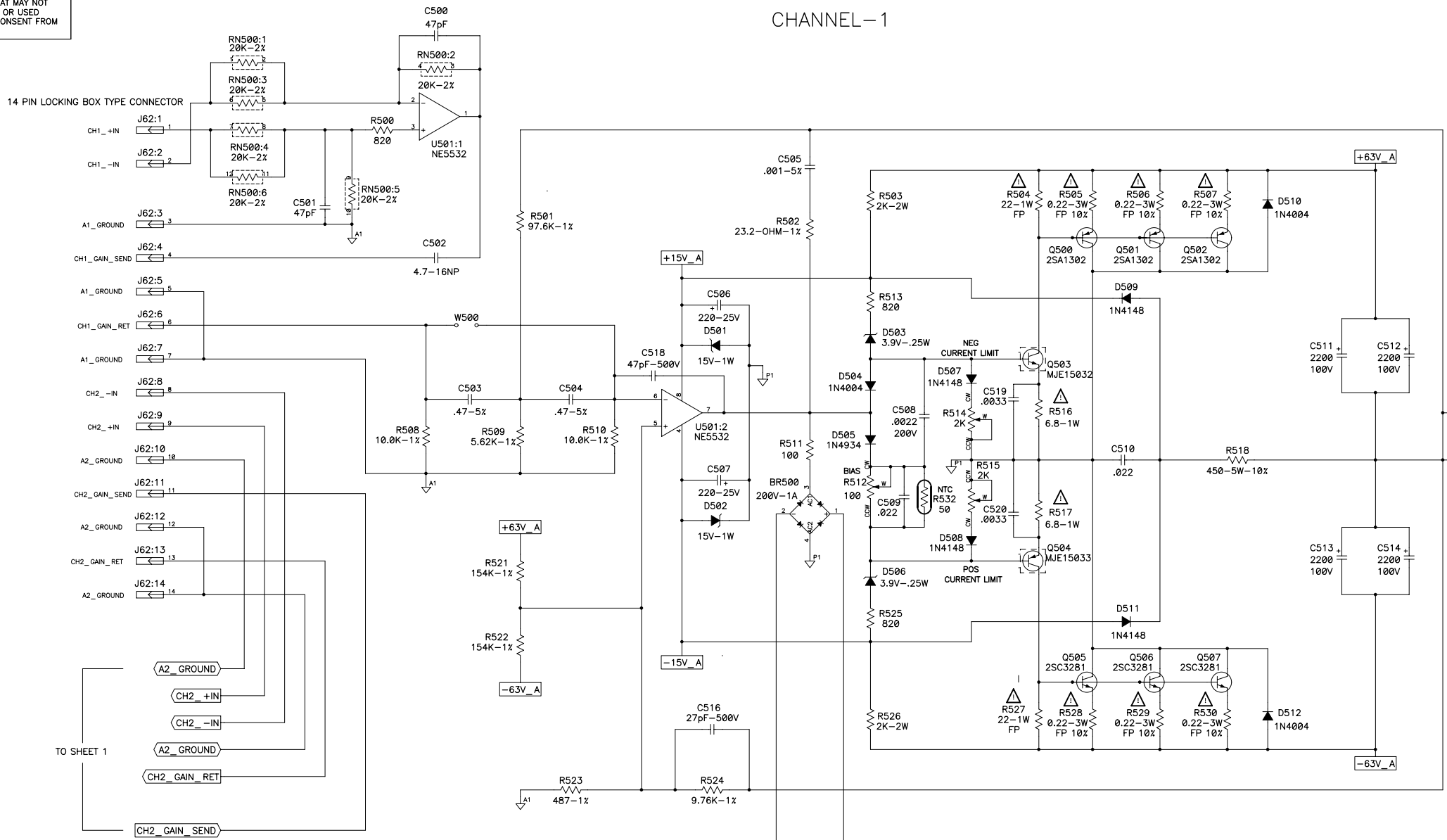


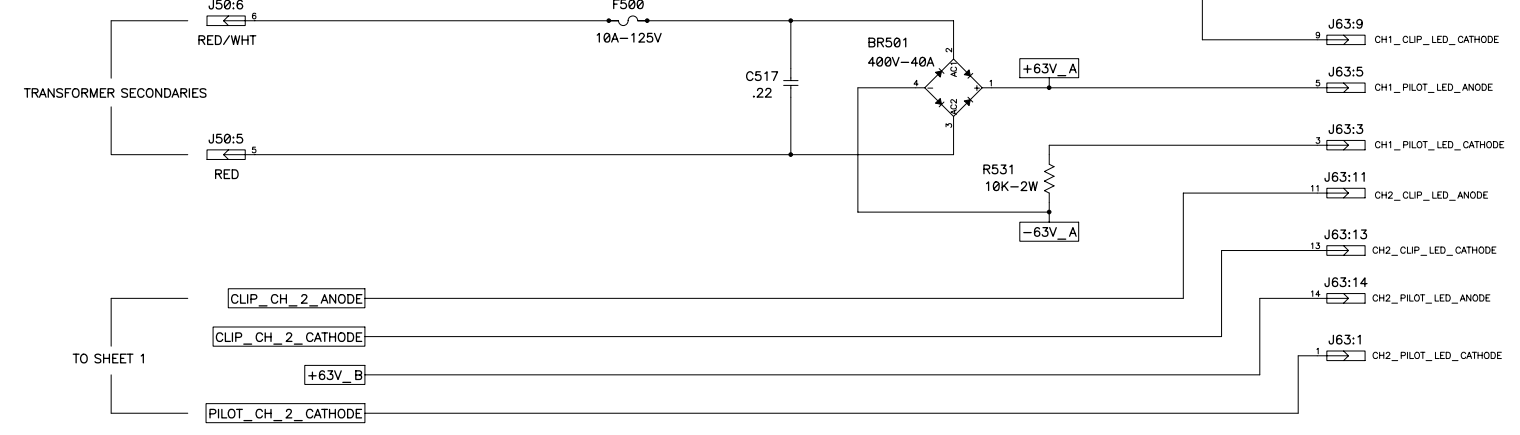
THIS DOCUMENT CONTAINS PROPRIETARY INFORMATION WHICH IS THE PROPERTY OF QSC AUDIO PRODUCTS, THAT MAY NOT BE DISCLOSED, REPRODUCED OR USED WITHOUT EXPRESS WRITTEN CONSENT FROM QSC AUDIO PRODUCTS.

REVISION				
REV	DESCRIPTION	EFF. DATE	CHK	APPROVED / DATE
1	PROTOTYPE RELEASE 5-1-96 AC			
2	PROTOTYPE RELEASE 5-15-96 AC			
A	PRODUCTION RELEASE PER ECO 3102 AC	6-21-96	DT	TS 6-25-96
B	REVISE PER ECO 3130 AC	8-16-96		TS 8-22-96
C	REVISE PER ECO 3264 AC	5-16-97		TS 2-24-97
D	REVISE PER ECO 3396 WR	5-16-97		TS 4-17-97
D1	REVISE PER ECO 4471 WR	1-19-01		

CHANNEL-1



1/4TH 8 PIN PCB CONNECTOR (J50)



OBSOLETE - NOT REPLACED

1. ALL RESISTOR VALUES ARE IN OHM 5%, 1/4W, NOTES: UNLESS OTHERWISE SPECIFIED
2. ALL CAPACITORS IN uF, 100V UNLESS SHOWN.
3. USE QSC REPLACEMENT TRANSISTORS ONLY.
4. REPLACE PARTS MARKED Δ AND FP WITH SAME TYPE ONLY FOR CONTINUED SAFETY.
5. ALL RESISTORS MARKED *FP* ARE FLAMEPROOF CONSTRUCTION AND MINIMUM OF 1/2W.

QTY	ITEM NO.	PART NO.	DESCRIPTION	VENDOR
PARTS LIST				
UNLESS OTHERWISE SPECIFIED DIMENSIONS ARE IN INCHES. DIMENSIONS PER ANSI Y14.5-1982 TOLERANCES ARE: DECIMALS DECIMALS ANGLES .XX ± .XXX ± 0 DEBURR EDGES .XXX R MAX MATERIAL			CONTRACT NO.	
DRAWN ROBERT C. MUNIZ			DATE 3/25/96	
CHECKED R. BECKER			6-21-96	
ISSUED T. SHOOK			6-25-96	
CAD SEED FILE NO. SH0046-B.SCH			Thu Sep 27, 2007	
FINISH			SIZE D	FSCM NO.
APPLICATION DO NOT SCALE DRAWING			DWG NO. SH-000046-00	REV D1
NEXT ASSY USED ON			SCALE NONE	CAD FILE NO. sh046-d1.sch
APPLICATION			SHEET 1 OF 2	

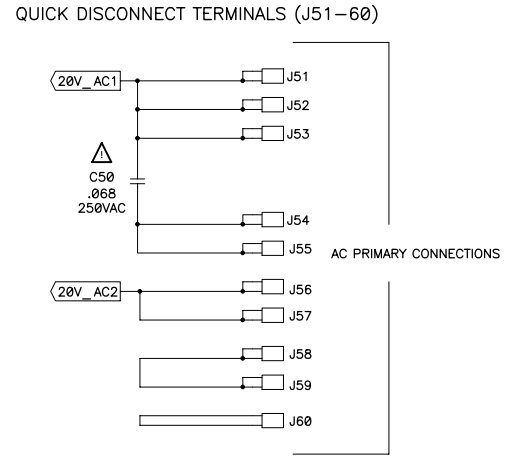
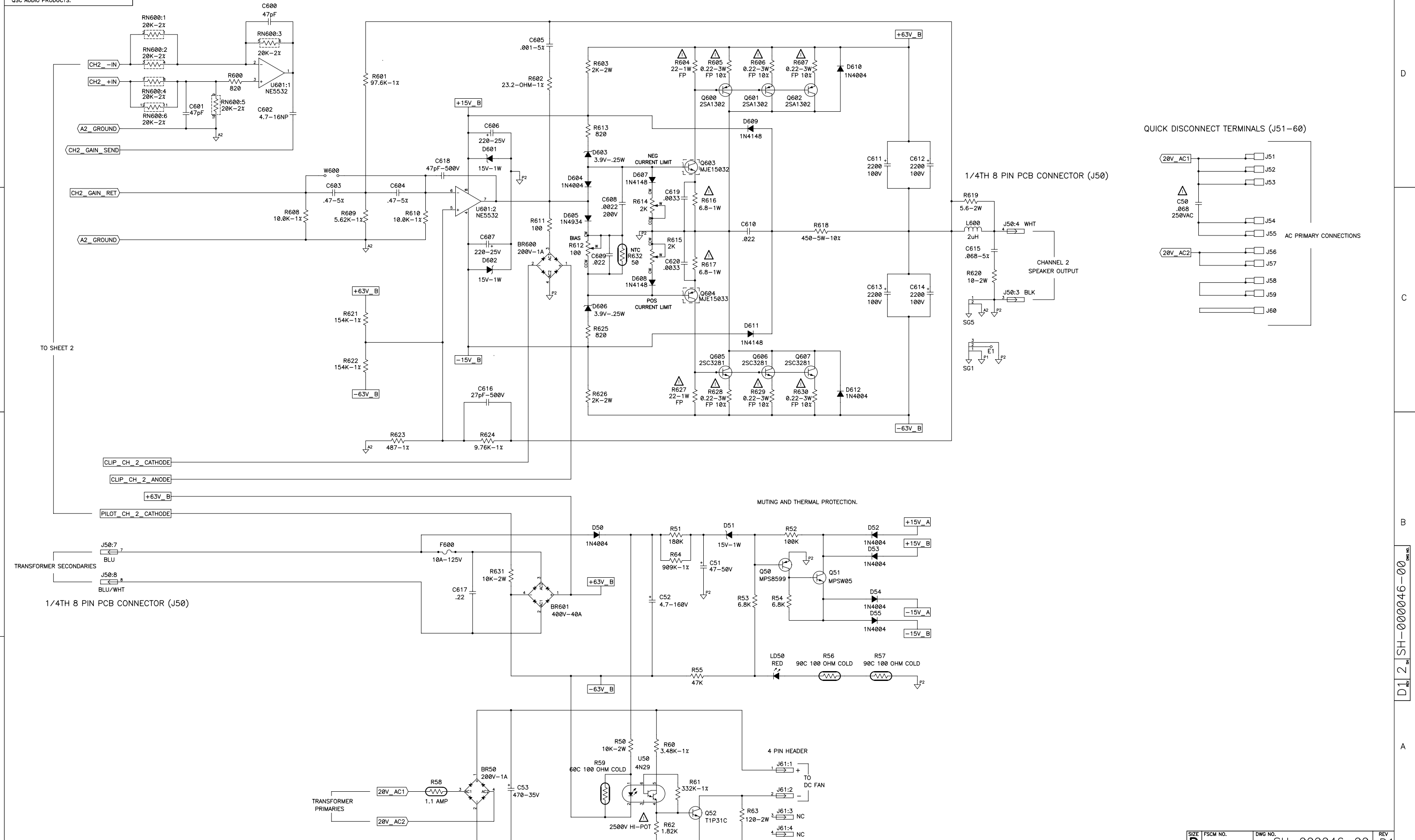
QSC AUDIO PRODUCTS, INC.
COSTA MESA, CALIFORNIA

SCHEMATIC DIAGRAM
CX4/4T MAIN PCB

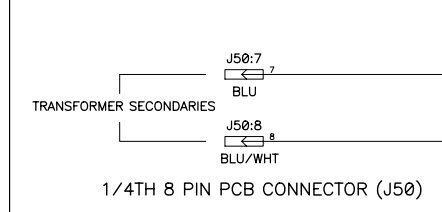
D1 SH-000046-00

THIS DOCUMENT CONTAINS PROPRIETARY INFORMATION WHICH IS THE PROPERTY OF QSC AUDIO PRODUCTS. THAT MAY NOT BE DISCLOSED, REPRODUCED OR USED WITHOUT EXPRESS WRITTEN CONSENT FROM QSC AUDIO PRODUCTS.

CHANNEL-2



TO SHEET 2

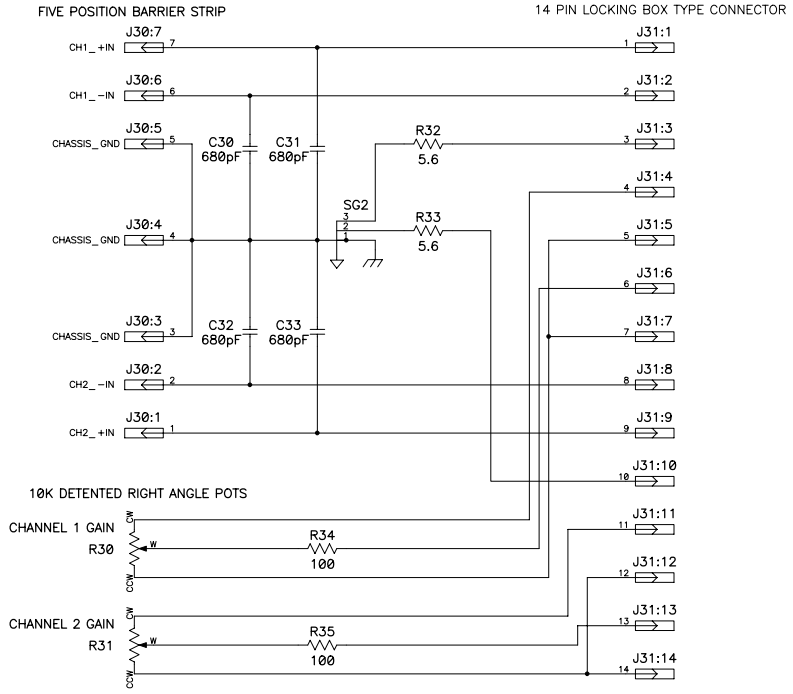


NOTES: UNLESS OTHERWISE SPECIFIED

D1 2 SH-000046-00

THIS DOCUMENT CONTAINS PROPRIETARY INFORMATION WHICH IS THE PROPERTY OF QSC AUDIO PRODUCTS, THAT MAY NOT BE DISCLOSED, REPRODUCED OR USED WITHOUT EXPRESS WRITTEN CONSENT FROM QSC AUDIO PRODUCTS.

REVISION				
REV	DESCRIPTION	EFF. DATE	CHK	APPROVED/DATE
1	PROTOTYPE RELEASE 5-1-96 AC			
2	PROTOTYPE RELEASE 5-15-96 AC			
A	PRODUCTION RELEASE PER ECO 3102 AC	6-21-96	DT	TS 6-25-96
B	REVISE PER ECO 3264 AC	5-16-97		TS 2-24-97
B1	REVISE PER ECO 4471 WR	1-19-01		



OBsolete - NOT REPLACED

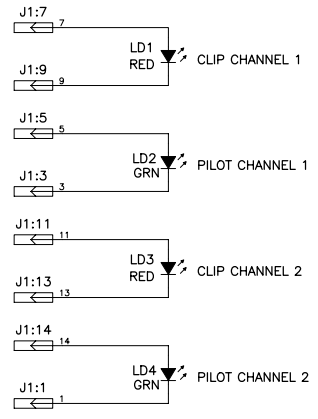
1. ALL RESISTOR VALUES ARE IN OHM 5%, 1/4W,
NOTES: UNLESS OTHERWISE SPECIFIED

APPLICATION		PARTS LIST		CONTRACT NO.		QSC AUDIO PRODUCTS, INC. COSTA MESA, CALIFORNIA	
WP-000047-00	CX4/4T	UNLESS OTHERWISE SPECIFIED DIMENSIONS ARE IN INCHES. DIMENSIONS PER ANSI Y14.5-1982 TOLERANCES ARE: DECIMALS DECIMALS ANGLES .XX ± .02 .XXX ± .010 ± 1/2° DEBURR EDGES .010 R MAX	APPROVALS	DATE	SCHEMATIC DIAGRAM CX4/4T INPUT PCB		
NEXT ASSY	USED ON	MATERIAL	DRAWN	B. MUNIZ	5-1-96	SIZE	FSCM NO.
		FINISH	CHECKED	R. BECKER	6-21-96	DWG NO.	SH-000047-00
			ISSUED	T. SHOOK	6-25-96	REV	B1
			CAD FILE NO.	SH0047-A.SCH	SCALE	NONE	CAD FILE NO.
							sh047-b1.sch
							SHEET 1 OF 1

PLOT DATE: Thu Sep 27, 2007

THIS DOCUMENT CONTAINS PROPRIETARY INFORMATION WHICH IS THE PROPERTY OF QSC AUDIO PRODUCTS, THAT MAY NOT BE DISCLOSED, REPRODUCED OR USED WITHOUT EXPRESS WRITTEN CONSENT FROM QSC AUDIO PRODUCTS.

REVISION				
REV	DESCRIPTION	EFF. DATE	CHK	APPROVED/DATE
1	PROTOTYPE RELEASE 5-1-96 AC			
2	PROTOTYPE RELEASE 5-15-96 AC			
A	PRODUCTION RELEASE PER ECO 3102 AC	6-21-96		TS 6-25-96
A1	REVISED PER ECO 4471 WR	1-19-01		



OBSOLETE – NOT REPLACED

APPLICATION		PARTS LIST		QSC AUDIO PRODUCTS, INC. COSTA MESA, CALIFORNIA	
WP-000048-00	CX4/4T	UNLESS OTHERWISE SPECIFIED DIMENSIONS ARE IN INCHES. DIMENSIONS PER ANSI Y14.5-1982 TOLERANCES ARE: DECIMALS DECIMALS ANGLES .XX ± .02 .XXX ± .010 ± 1/2 ° DEBURR EDGES .010 R MAX	CONTRACT NO.	APPROVALS	DATE
NEXT ASSY	USED ON	MATERIAL	DRAWN	B. MUNIZ	5-1-96
		FINISH	CHECKED		
		DO NOT SCALE DRAWING	ISSUED		
			CAD SEED FILE NO.		
			SCALE	NONE	
			CAD FILE NO.	sh048-a1.sch	
			SIZE	FSCM NO.	DWG NO.
			C		SH-000048-00
					REV
					A1
					SHEET 1 OF 1

NOTES: UNLESS OTHERWISE SPECIFIED

PLOT DATE: Thu Sep 27, 2007