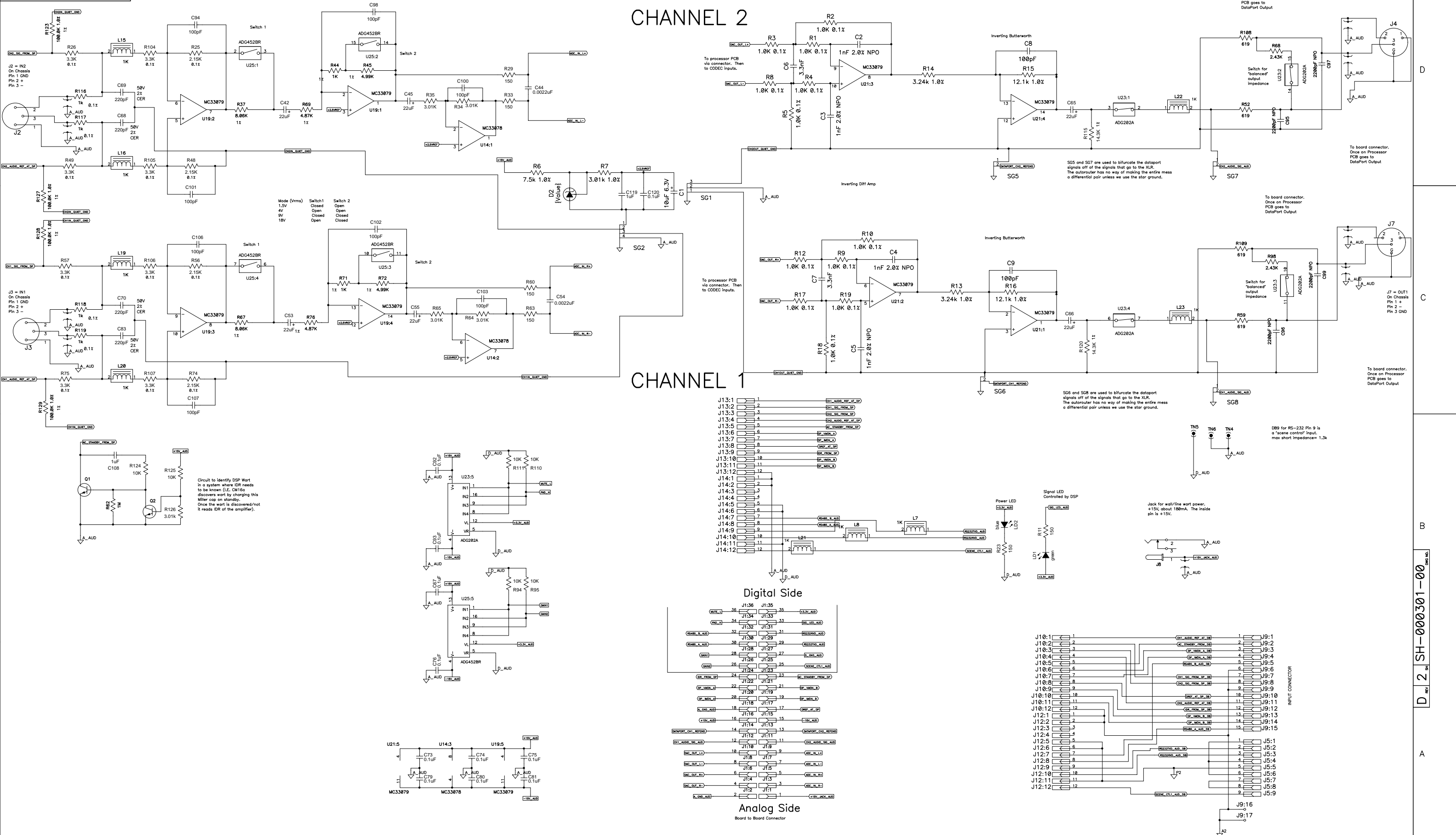


THIS DOCUMENT CONTAINS PROPRIETARY INFORMATION WHICH IS THE PROPERTY OF QSC AUDIO PRODUCTS. THAT MAY NOT BE DISCLOSED, REPRODUCED OR USED WITHOUT EXPRESS WRITTEN CONSENT FROM QSC AUDIO PRODUCTS.

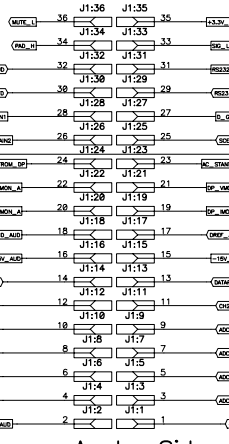
Mode (Vrms) Switch1 Switch 2  
 1.5V Closed Open  
 4V Open Open  
 9V Closed Closed  
 18V Open Closed



# CHANNEL 2

# CHANNEL 1

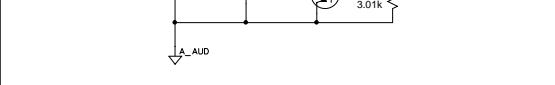
## Digital Side



## Analog Side



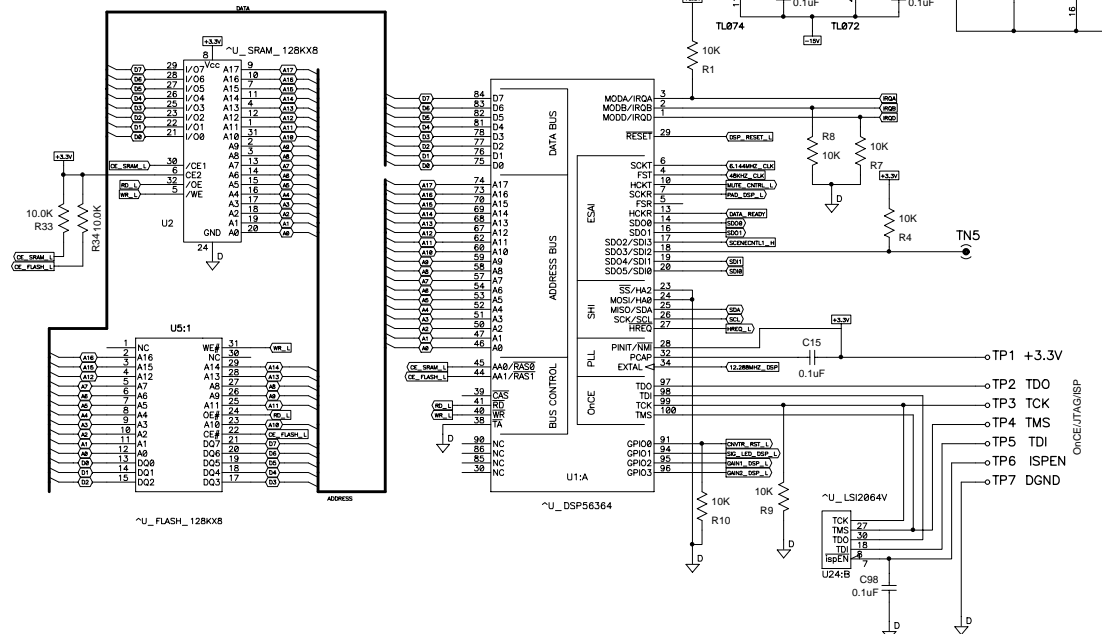
Circuit to identify DSP Wart in a system where IDR needs to be known (i.e. CM16a discovers wart by changing this Miller cap on standby. Once the wart is discovered/not it reads DR of the amplifier).



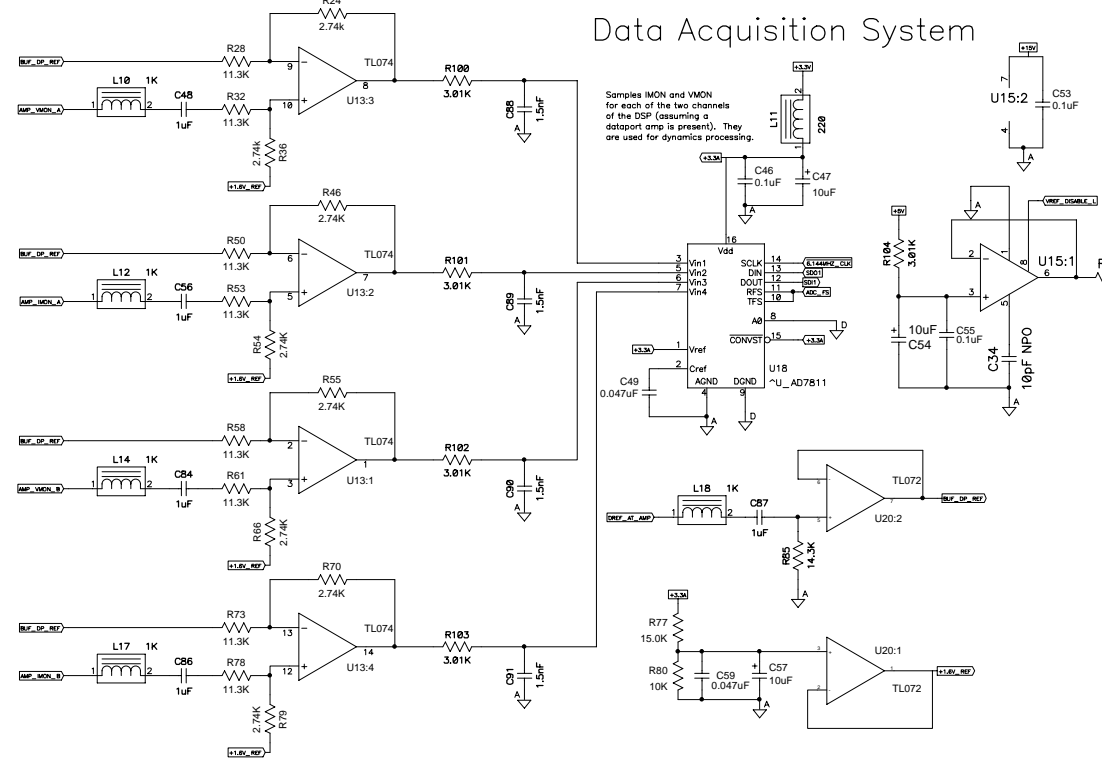
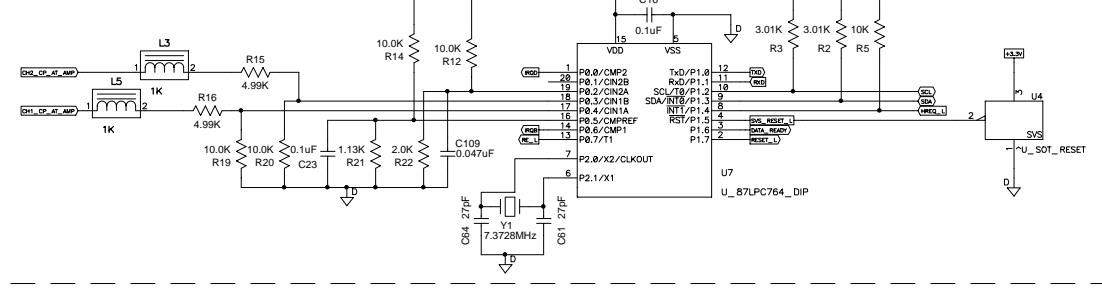
NOTES: UNLESS OTHERWISE SPECIFIED

THIS DOCUMENT CONTAINS PROPRIETARY INFORMATION WHICH IS THE PROPERTY OF QSC AUDIO PRODUCTS, THAT MAY NOT BE DISCLOSED, REPRODUCED OR USED WITHOUT EXPRESS WRITTEN CONSENT FROM QSC AUDIO PRODUCTS.

DSP



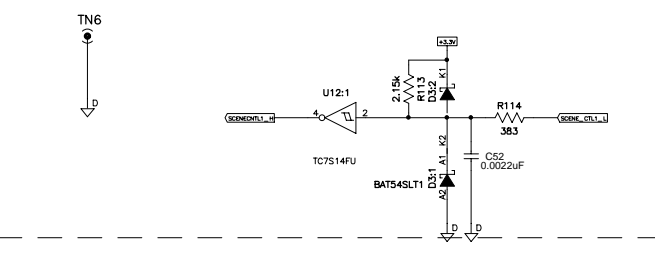
Microcontroller



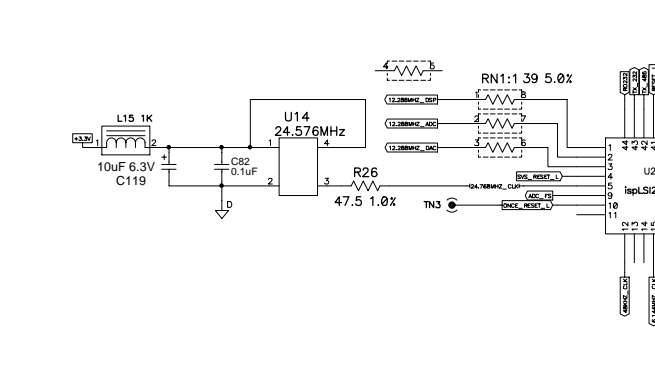
THIS DRAWING USED IN CONJUNCTION WITH PCB FILE PC-000301-00

NOTES: UNLESS OTHERWISE SPECIFIED

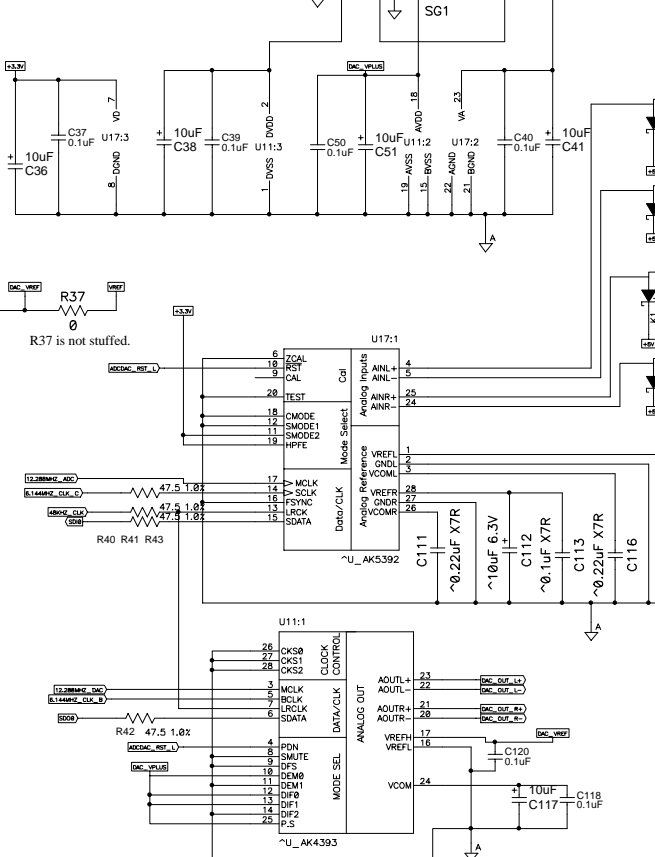
Contact Closure Detect



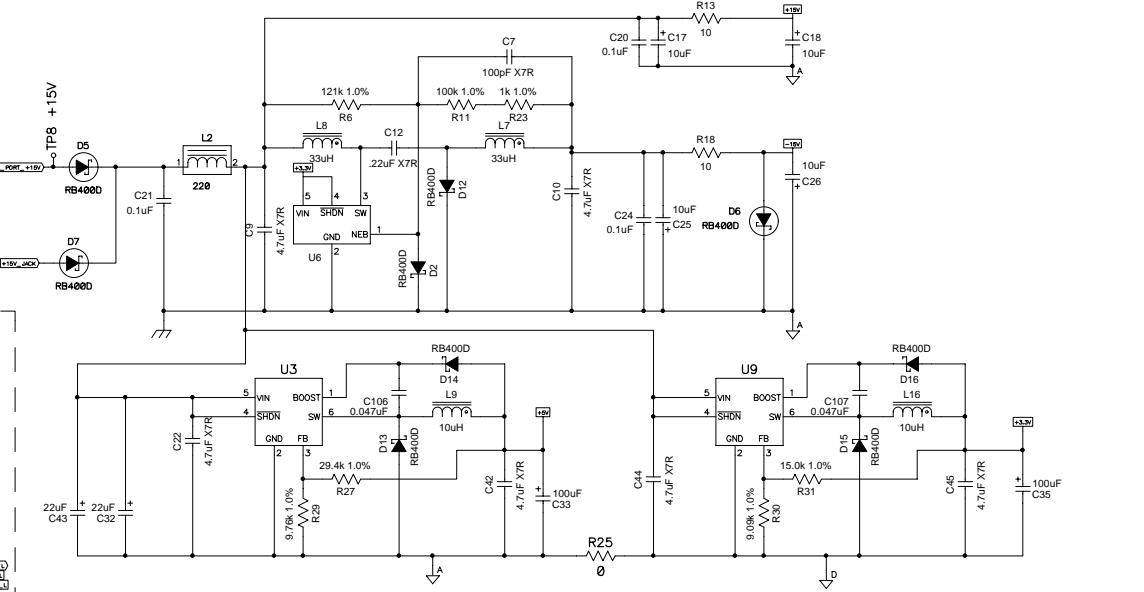
CPLD/CLOCK DIVIDER



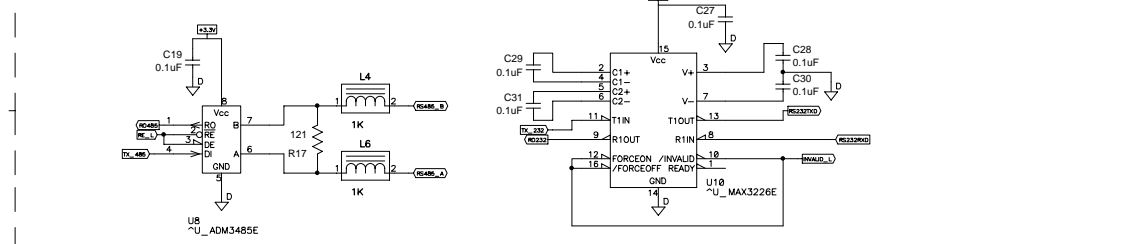
ADC/DAC



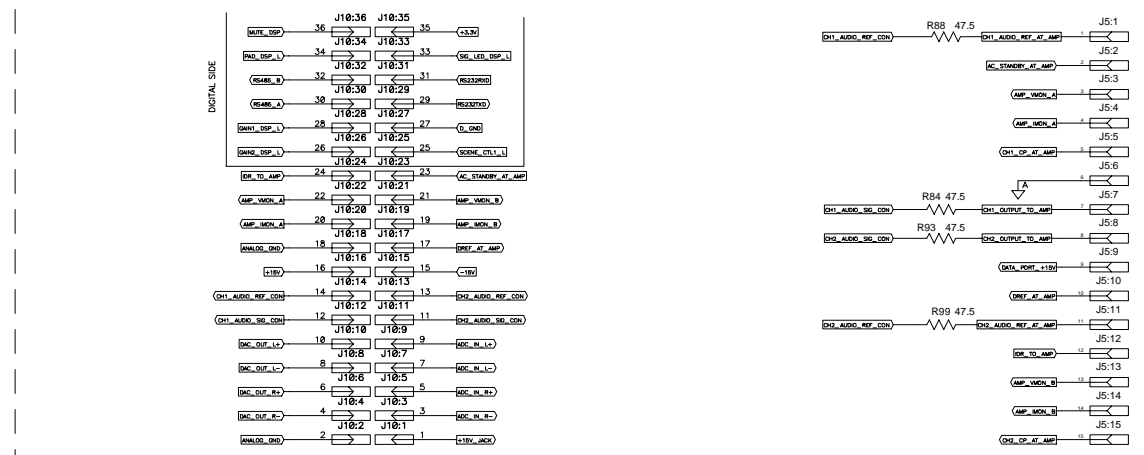
POWER SUPPLIES



RS-485/RS-232 XCVRs



BOARD TO BOARD CONNECTOR/HD-15 AMP SIDE



QTY	ITEM NO.	PART NO.	DESCRIPTION	VENDOR
<b>PARTS LIST</b>				
UNLESS OTHERWISE SPECIFIED DIMENSIONS ARE IN INCHES. DIMENSIONS PER ANSI Y14.5-1982 TOLERANCES ARE:				
DECIMALS	DECIMALS	ANGLES	0	
.XX ±	.XXX ±	DEBURR EDGES	.XXX R MAX	
MATERIAL				
WP-000301-00	PCB ASSY 6 LAYER	FINISH	USED ON	
WP-000302-00	PCB ASSY 2 LAYER	FINISH	USED ON	
APPLICATION DO NOT SCALE DRAWING				

REV	DESCRIPTION	EFF. DATE	CHK	APPROVED/DATE
A				
B				
C				
D				

AMPLIFIER HD-15 CONNECTOR

alpha1 SH-000301-00

alpha