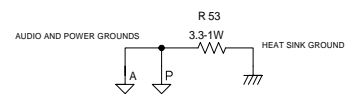
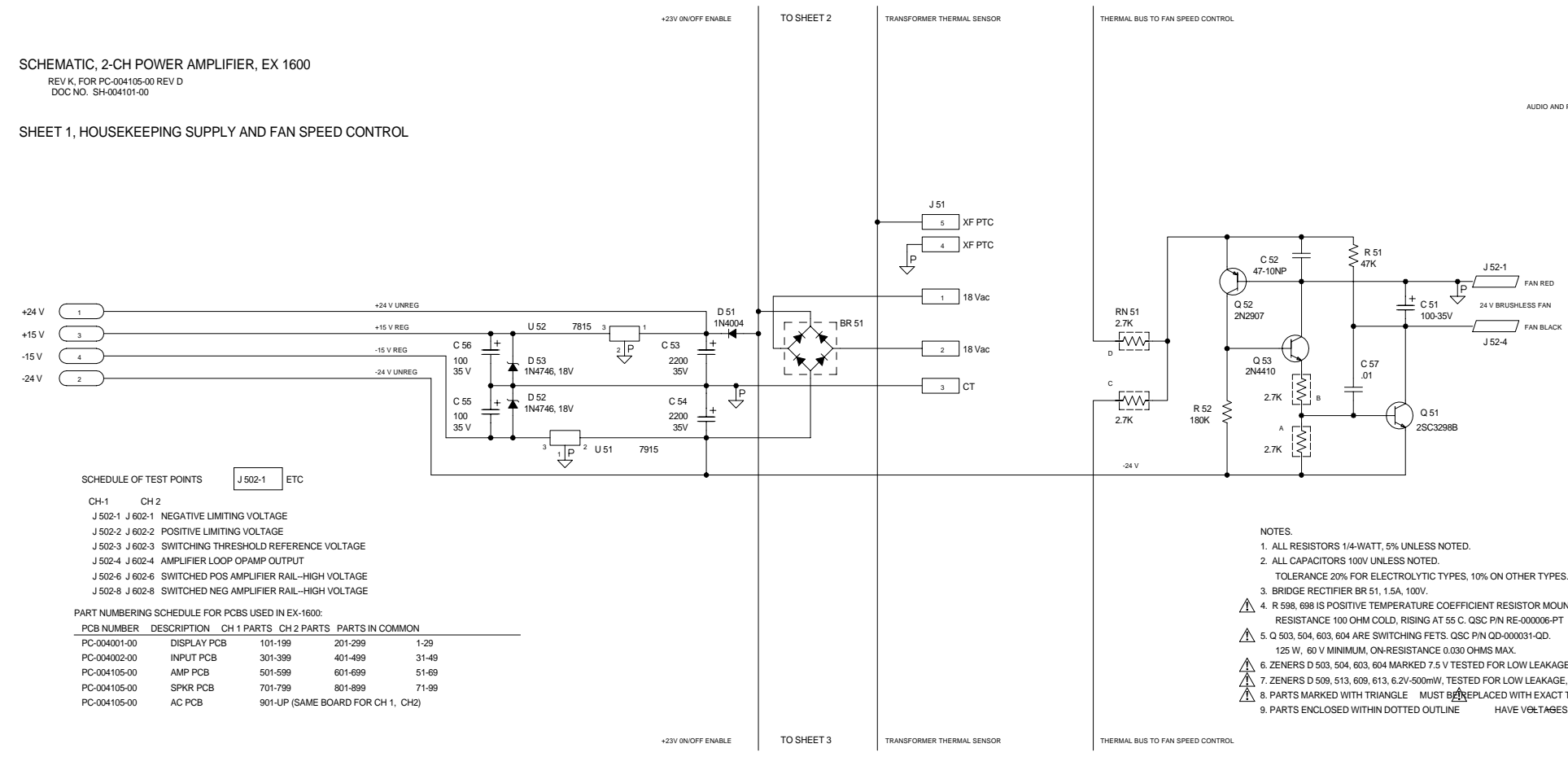


THIS DOCUMENT CONTAINS PROPRIETARY INFORMATION WHICH IS THE PROPERTY OF QSC AUDIO PRODUCTS, THAT MAY NOT BE DISCLOSED, REPRODUCED OR USED WITHOUT EXPRESS WRITTEN CONSENT FROM QSC AUDIO PRODUCTS.

REVISIONS				
ZONE	REV	DESCRIPTION	DATE	APPROVED
	J	REVISED PER ECO 2371 IMP (EFF. 7-28-94)	7-20-94	SGM
	K	REVISED PER ECO 2580 WR (EFF. 3-5-95)		

SCHEMATIC, 2-CH POWER AMPLIFIER, EX 1600
 REV K, FOR PC-004105-00 REV D
 DOC NO. SH-004101-00

SHEET 1, HOUSEKEEPING SUPPLY AND FAN SPEED CONTROL



- SCHEDULE OF TEST POINTS J 502-1 ETC
- CH-1 CH 2
 - J 502-1 J 602-1 NEGATIVE LIMITING VOLTAGE
 - J 502-2 J 602-2 POSITIVE LIMITING VOLTAGE
 - J 502-3 J 602-3 SWITCHING THRESHOLD REFERENCE VOLTAGE
 - J 502-4 J 602-4 AMPLIFIER LOOP OPAMP OUTPUT
 - J 502-6 J 602-6 SWITCHED POS AMPLIFIER RAIL-HIGH VOLTAGE
 - J 502-8 J 602-8 SWITCHED NEG AMPLIFIER RAIL-HIGH VOLTAGE

PART NUMBERING SCHEDULE FOR PCBs USED IN EX-1600:

PCB NUMBER	DESCRIPTION	CH 1 PARTS	CH 2 PARTS	PARTS IN COMMON
PC-004001-00	DISPLAY PCB	101-199	201-299	1-29
PC-004002-00	INPUT PCB	301-399	401-499	31-49
PC-004105-00	AMP PCB	501-599	601-699	51-69
PC-004105-00	SPKR PCB	701-799	801-899	71-99
PC-004105-00	AC PCB	901-UP (SAME BOARD FOR CH 1, CH2)		

- LAST USED REF. DESIGN.
- BR 51, BR 502, 602
 - C51 - 57, C534, 634
 - D51 - 53, D513, 613
 - F504, 604
 - J51, 52, J503, 603
 - K501, 601
 - L501, 601
 - Q51 - 53, Q510, 610
 - R51 - 53, R544, 644, R598, 698, R599, 699
 - RN51, RN502, 602
 - U51, 52, U506, 606
 - VR503, 603

- NOTES:
- ALL RESISTORS 1/4-WATT, 5% UNLESS NOTED.
 - ALL CAPACITORS 100V UNLESS NOTED. TOLERANCE 20% FOR ELECTROLYTIC TYPES, 10% ON OTHER TYPES.
 - BRIDGE RECTIFIER BR 51, 1.5A, 100V.
 - R 598, 698 IS POSITIVE TEMPERATURE COEFFICIENT RESISTOR MOUNTED TO HEAT SINK. RESISTANCE 100 OHM COLD, RISING AT 55 C. QSC P/N RE-000006-PT
 - Q 503, 504, 603, 604 ARE SWITCHING FETS. QSC P/N QD-000031-QD. 125 W, 60 V MINIMUM, ON-RESISTANCE 0.030 OHMS MAX.
 - ZENERS D 503, 504, 603, 604 MARKED 7.5 V TESTED FOR LOW LEAKAGE, QSC P/N QD-0007-5-ZT.
 - ZENERS D 509, 513, 609, 613, 6.2V-500mW, TESTED FOR LOW LEAKAGE, QSC P/N QD-000024-QD.
 - PARTS MARKED WITH TRIANGLE MUST BE REPLACED WITH EXACT TYPE ONLY.
 - PARTS ENCLOSED WITHIN DOTTED OUTLINE HAVE VOLTAGES GREATER THAN 42V.

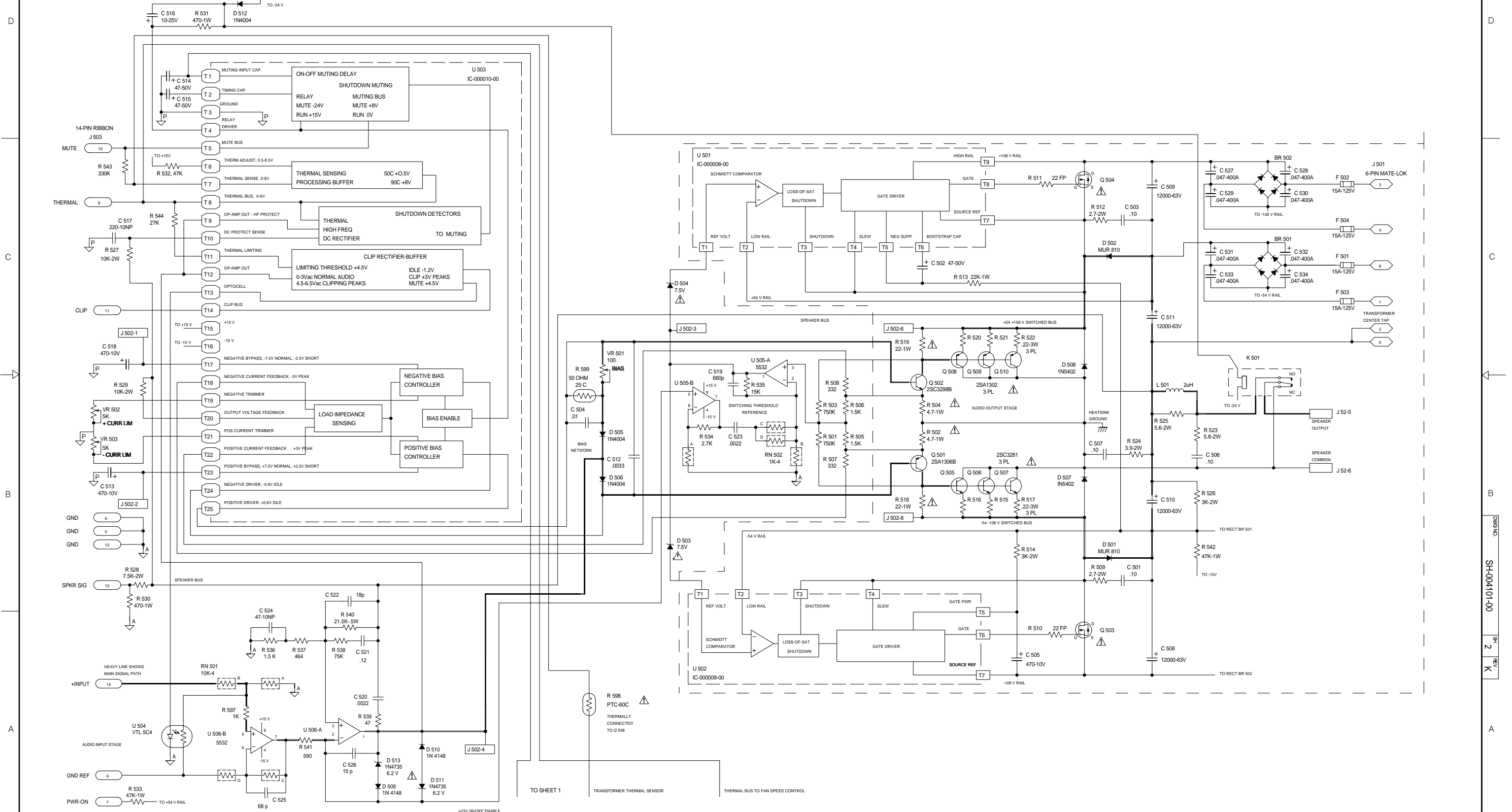
NOTES: UNLESS OTHERWISE SPECIFIED

UNLESS OTHERWISE SPECIFIED DIMENSIONS ARE IN INCHES. DIMENSIONS PER ANSI Y14.5-1982. TOLERANCES ARE:		CONTRACT NO.		QSC AUDIO PRODUCTS, INC. COSTA MESA, CALIFORNIA	
DECIMALS	DECIMALS	ANGLES	APPROVALS	DATE	SCHEMATIC DIAGRAM EX 1600
xx #	xxx #	°	DRAWN	5-15-91	
DEBURR EDGES .XXX R MAX			CHECKED	5-29-91	
MATERIAL			ISSUED		
WP-004101-00	EX 1600	FINISH	SCALE	D	SIZE FROM NO.
NEXT ASSY	USED ON	DO NOT SCALE DRAWING	SCALE	NONE	DWG NO.
APPLICATION			CAD FILE NO.	SH4101K1.FCD	SH-004101-00
			SHEET	1 OF 3	REV K

DRAWING NO. SH-004101-00 SHEET 1 REV K

THIS DOCUMENT CONTAINS PROPRIETARY INFORMATION WHICH IS THE PROPERTY OF QSC AUDIO PRODUCTS, THAT MAY NOT BE DISCLOSED, REPRODUCED OR USED WITHOUT EXPRESS WRITTEN CONSENT FROM QSC AUDIO PRODUCTS.

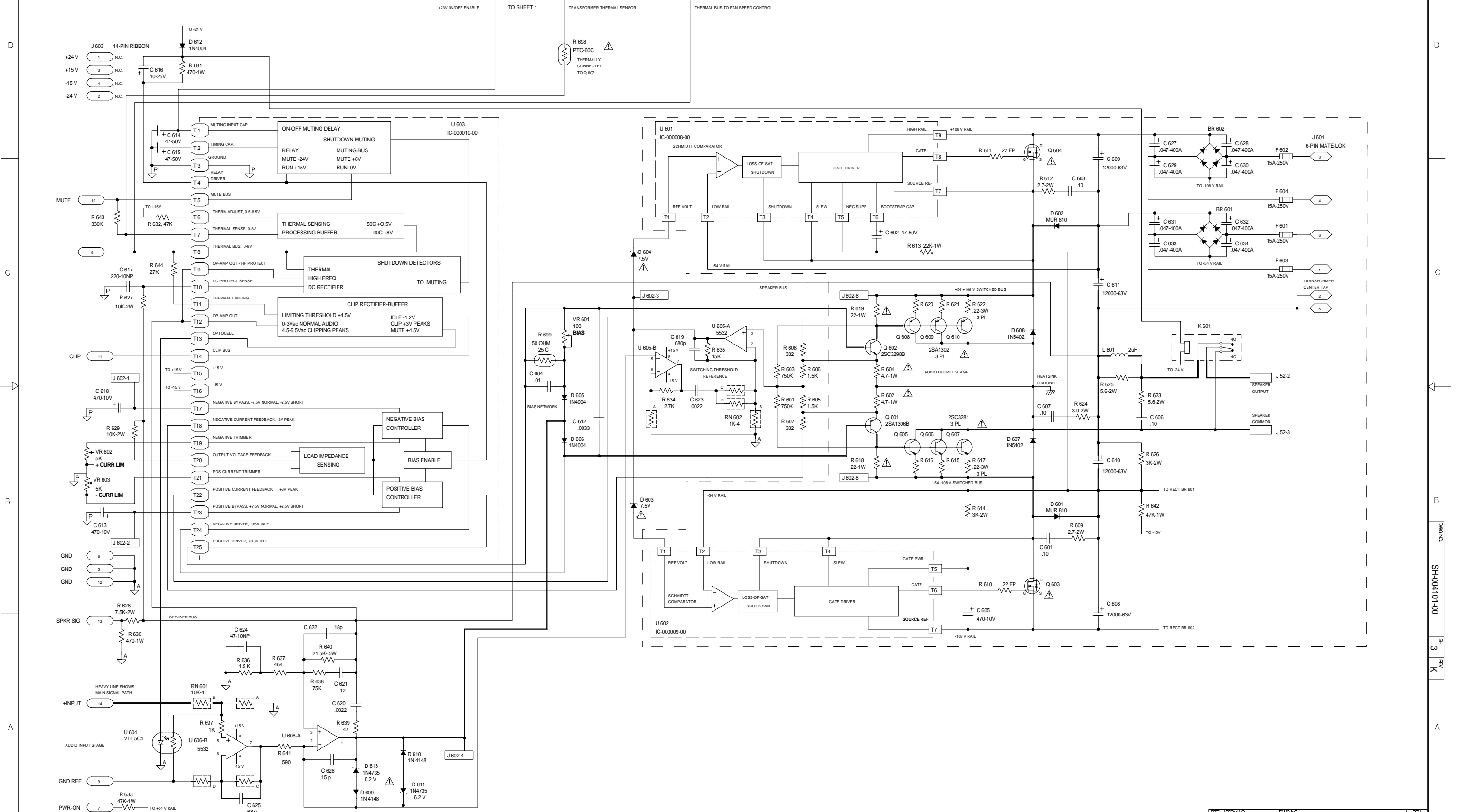
SCHEMATIC, EX-1600, SHEET 2, AMPLIFIER CHANNEL A



SIZE	FORM NO.	DWG NO.	REV
D		SH-004101-00	K
SCALE	CAD FILE NO.	SHEET	2 OF 3
	SH4101K2.FCD		

THIS DOCUMENT CONTAINS PROPRIETARY INFORMATION WHICH IS THE PROPERTY OF CSC AUDIO PRODUCTS, THAT MAY NOT BE DISCLOSED, REPRODUCED OR USED WITHOUT EXPRESS WRITTEN CONSENT FROM CSC AUDIO PRODUCTS.

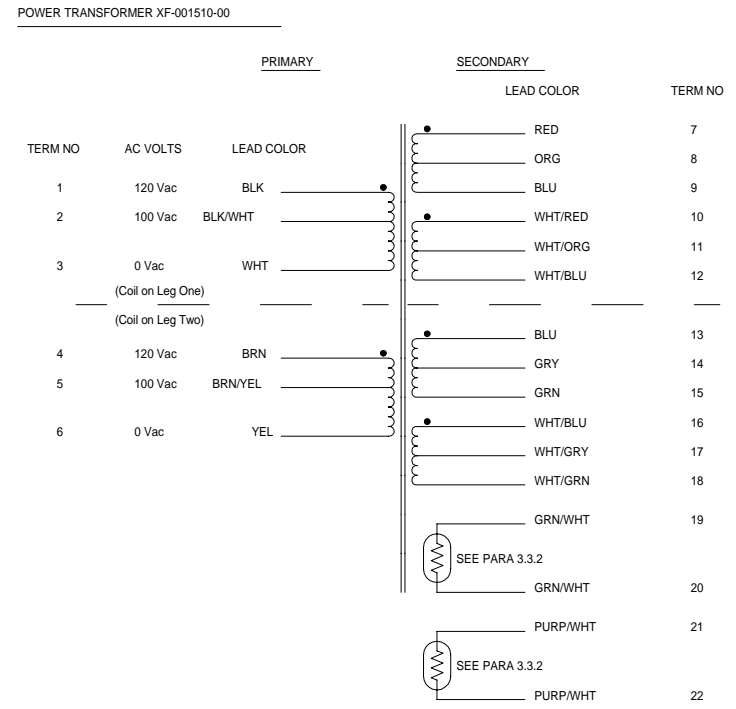
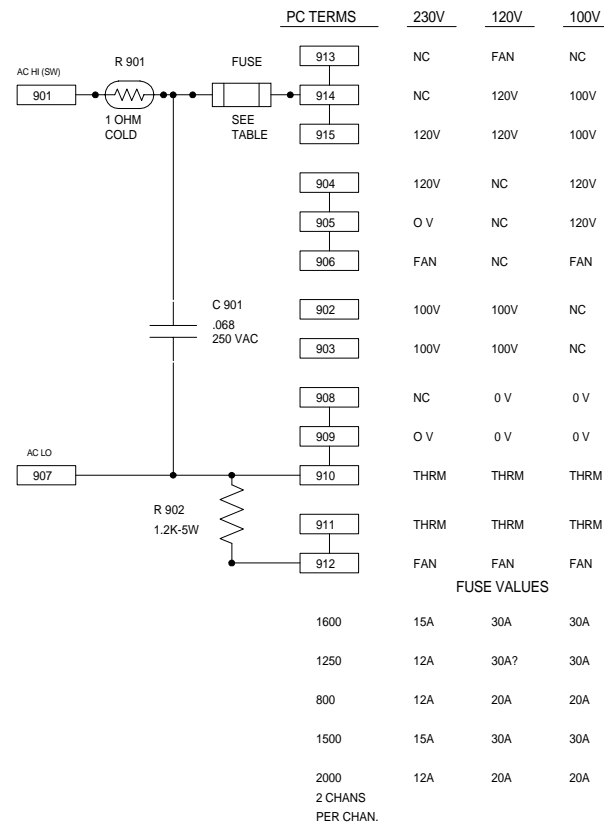
SCHEMATIC, EX-1600, SHEET 3, AMPLIFIER CHANNEL B



SIZE	FROM NO.	DWG NO.	REV
D		SH-004101-00	K
SCALE	CAD FILE NO.	SHEET	3 OF 3
	SH4101K3.FCD		

THIS DOCUMENT CONTAINS PROPRIETARY INFORMATION WHICH IS THE PROPERTY OF QSC AUDIO PRODUCTS, THAT MAY NOT BE DISCLOSED, REPRODUCED OR USED WITHOUT EXPRESS WRITTEN CONSENT FROM QSC AUDIO PRODUCTS.

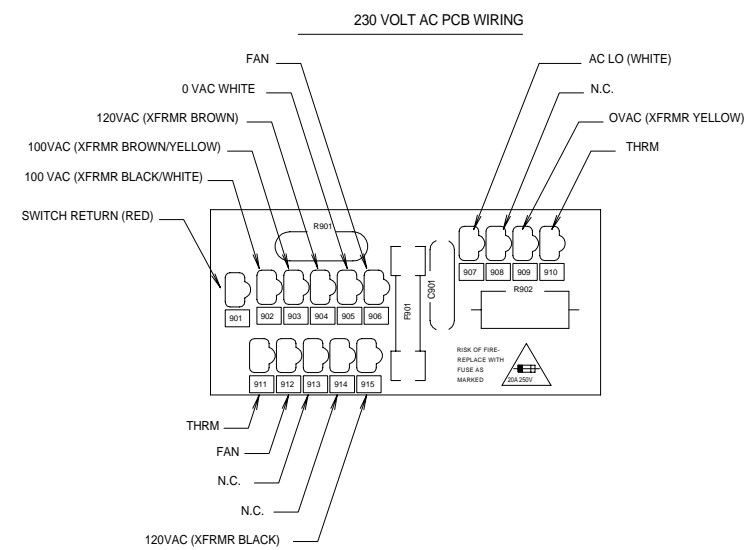
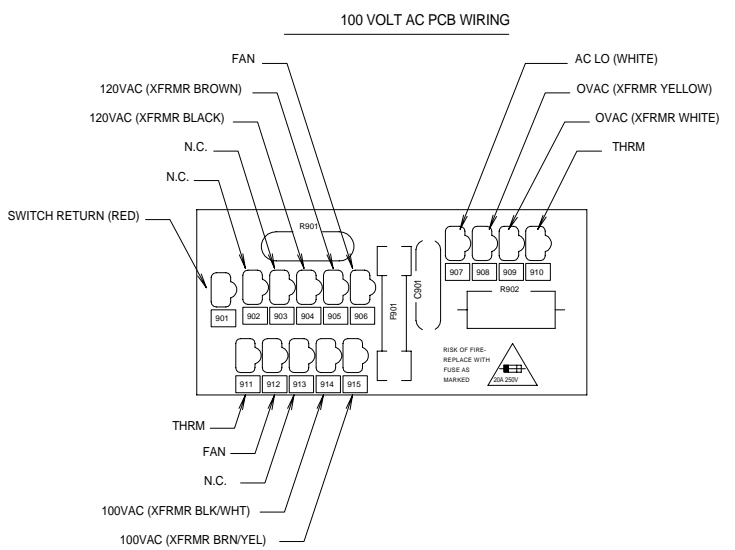
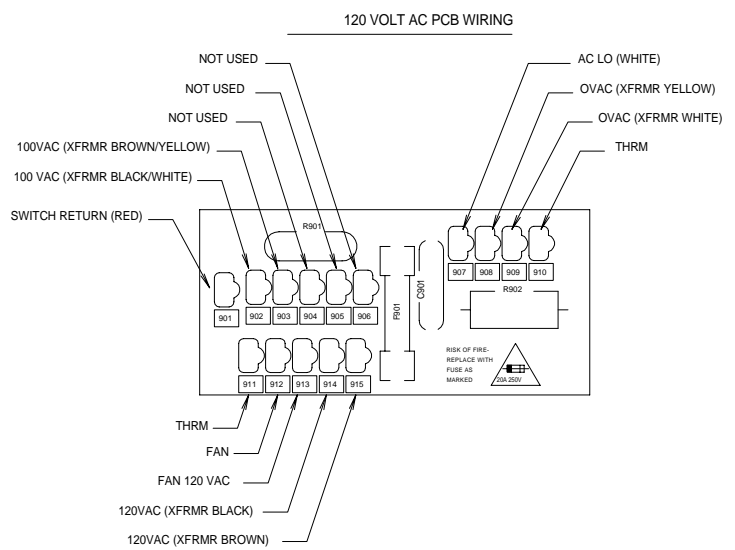
DWG NO. XXXXXXXXXXXX		SH X	REV X	1
REVISIONS				
ZONE	REV	DESCRIPTION	DATE	APPROVED
	X	XXXXXXXXXXXXXXXXXXXXXXXXXXXX		



FUSE VALUES

	230V	120V	100V
1600	15A	30A	30A
1250	12A	30A?	30A
800	12A	20A	20A
1500	15A	30A	30A
2000	12A	20A	20A

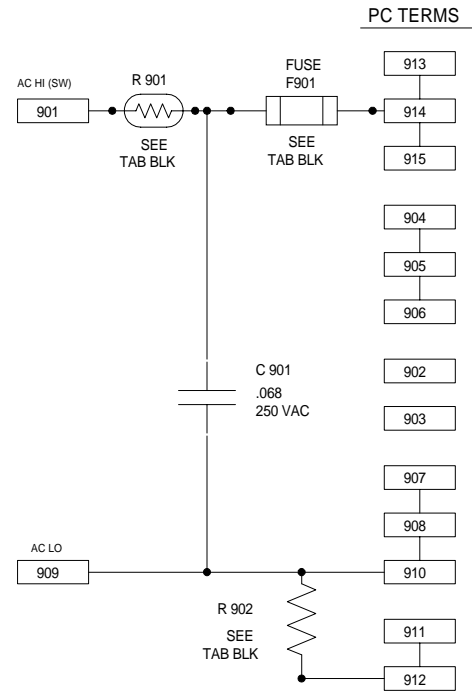
2 CHANS PER CHAN.



PARTS LIST			
UNLESS OTHERWISE SPECIFIED DIMENSIONS ARE IN INCHES TOLERANCES ARE:		CONTRACT NO.	
FRACTIONS	DECIMALS	ANGLES	
+/-	XX +/- .02 +/-	0	
	XXX +/- .010		
MATERIAL	CHECKED	ISSUED	DATE
	XXXX	XXXXXX	4/29/91
FINISH	ISSUED	XXXXXX	XXXXXX
DO NOT SCALE DRAWING			
QSC AUDIO PRODUCTS COSTA MESA, CALIFORNIA		SCHEMATIC/WIRING DIAGRAM EX/MX 2 SPACE AMPS	
SIZE D	FSOM NO.	DWG NO. SH-004103-00	REV 1
SCALE NONE	SH-4103 FCD	SHEET 1 OF 1	

THIS DOCUMENT CONTAINS PROPRIETARY INFORMATION WHICH IS THE PROPERTY OF QSC AUDIO PRODUCTS THAT MAY NOT BE DISCLOSED, REPRODUCED OR USED WITHOUT EXPRESS WRITTEN CONSENT FROM QSC AUDIO PRODUCTS.

REVISIONS				
ZONE	REV	DESCRIPTION	DATE	APPROVED
	C	PROD RELEASE PER ECO 1846	6.	



TABULATION BLOCK			
MODEL (V)	FUSE F901	R 902	R 901
EX 800 (100V)	20A 250V	/	1.0 OHM 30 A
EX 800 (120V)	20A 250V	/	1.0 OHM 30 A
EX 800 (230V)	12A 250V	/	2.5 OHM 15 A
EX 1250 (100V)	20A 250V	/	1.0 OHM 30 A
EX 1250 (120V)	20A 250V	/	1.0 OHM 30 A
EX 1250 (230V)	12A 250V	/	2.5 OHM 15 A
EX 1600 (100V)	30A 125V	/	1.0 OHM 30 A
EX 1600 (120V)	30A 125V	/	1.0 OHM 30 A
EX 1600 (230V)	15A 250V	/	2.5 OHM 15 A
MX 1000a (100V)	20A 250V	1.2K 5W	1.0 OHM 30 A
MX 1000a (120V)	20A 250V	1.2K 5W	1.0 OHM 30 A
MX 1000a (230V)	12A 250V	1.2K 5W	2.5 OHM 15 A
MX 1500a (100V)	30A 125V	1.2K 5W	1.0 OHM 30 A
MX 1500a (120V)	30A 125V	1.2K 5W	1.0 OHM 30 A
MX 1500a (230V)	15A 250V	1.2K 5W	2.5 OHM 15 A

1. THIS DRAWING USED IN CONJUNCTION WITH SCHEMATIC DIAGRAMS SH-004100-00, SH-004100-01, SH-004101-00, SH-004101-01, SH-004101-02, SH-001010-00, SH-001011-00, SH-001510-00, AND SH-001511-00

NOTES: UNLESS OTHERWISE SPECIFIED

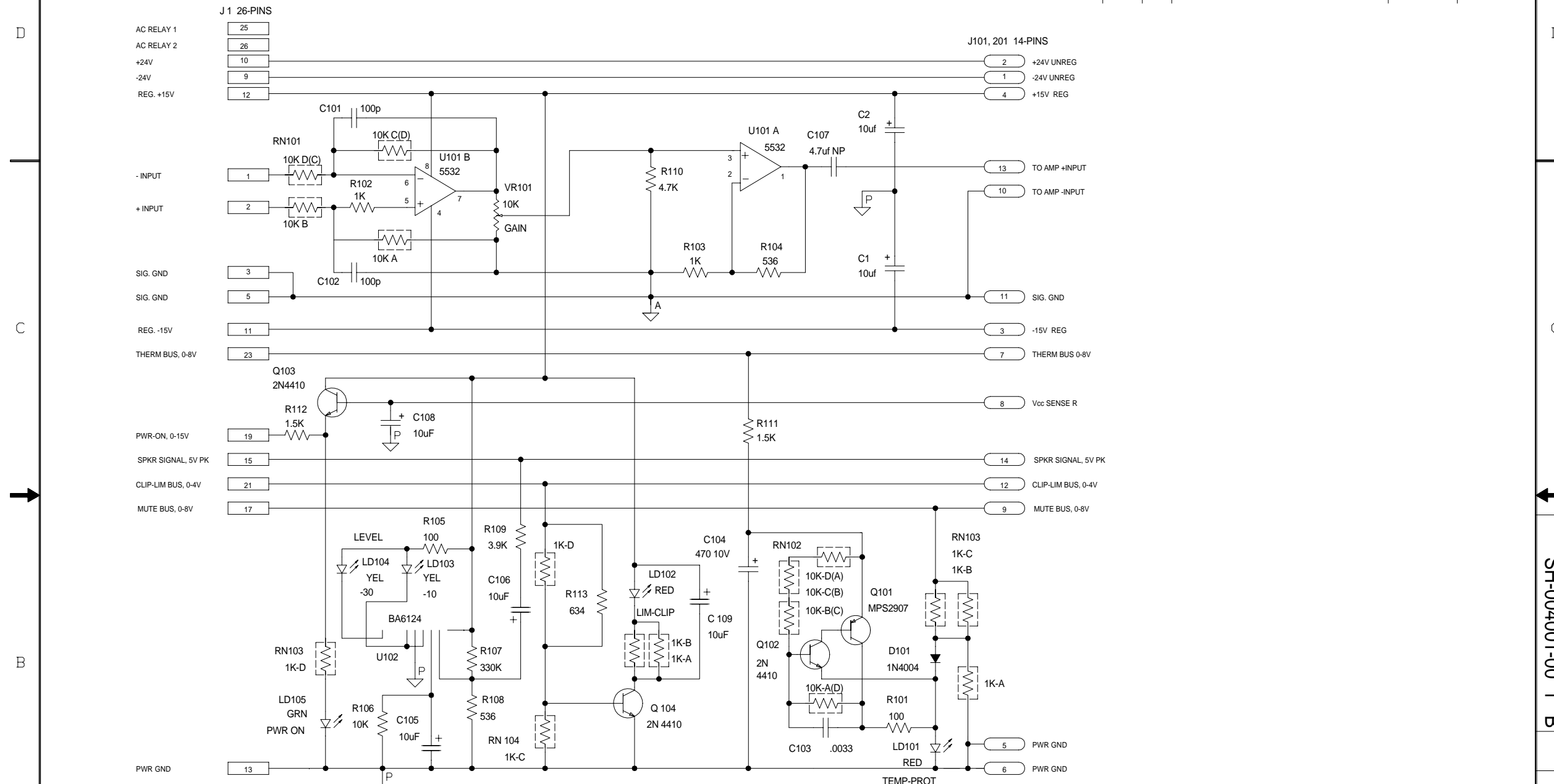
APPLICATION		PARTS LIST		QSC AUDIO PRODUCTS, INC. COSTA MESA, CALIFORNIA	
PC-004103-00	EX/MXa 2 SP.	UNLESS OTHERWISE SPECIFIED DIMENSIONS ARE IN INCHES. DIMENSIONS PER ANSI Y14.5-1982	CONTRACT NO.	APPROVALS	DATE
NEXT ASSY	USED ON	TOLERANCES ARE: DECIMALS DECIMALS ANGLES XX ± .XXX ± °		DRAWN	5-13-93
		DEBURR EDGES .XXX R MAX		CHECKED	
		FINISH		ISSUED	
				CAD FILE NO.	
		DO NOT SCALE DRAWING		SCALE	NONE
				CAD FILE NO.	SH4103C1.FCD
				SIZE	F30M NO.
				DWG NO.	SH-004103-00
				REV	C
				SHEET	1 OF 1

THIS DOCUMENT CONTAINS PROPRIETARY INFORMATION WHICH IS THE PROPERTY OF QSC AUDIO PRODUCTS, THAT MAY NOT BE DISCLOSED, REPRODUCED OR USED WITHOUT EXPRESS WRITTEN CONSENT FROM QSC AUDIO PRODUCTS

SCHEMATIC, EX-SERIES DISPLAY BOARD.

PC-004001-00, REV A.

REVISIONS				
ZONE	REV	DESCRIPTION	DATE	APPROVED
	A	PROD REL PER ECO 756	6-19-90	
	B	REVISED PER ECO 1603 WR	9-29-92	



CH 2 PINS

- INPUT	4
+ INPUT	6
SIG. GND	7
SIG. GND	8
THERM BUS, 0-8V	24
PWR-ON, 0-15V	19
SPKR SIGNAL, 5V PK	16
CLIP-LIM BUS, 0-4V	22
MUTE BUS, 0-8V	18
PWR GND	14

- NOTES
1. ALL RESISTORS 1/4 WATT UNLESS SPECIFIED.
 2. ALL CAPACITORS 25V UNLESS SPECIFIED.
 3. CH 2 RESISTOR NETWORK SECTIONS () WHEN DIFFERENT.
 4. CH 1 COMPONENTS NUMBERED 101-199
 5. CH 2 COMPONENTS NUMBERED 201-299.
 6. PARTS IN COMMON TO BOTH CHANNELS NUMBERED 1-99.
 7. U102, 202 ROHM BA6124 OR SAMSUNG KA2284/85
 8. LD 101, 102, HIGH-EFFICIENCY RED LED.
 9. LD 103, 104, HIGH-EFFICIENCY YELLOW LED.
 10. LD 105, HIGH-EFFICIENCY GREEN LED.

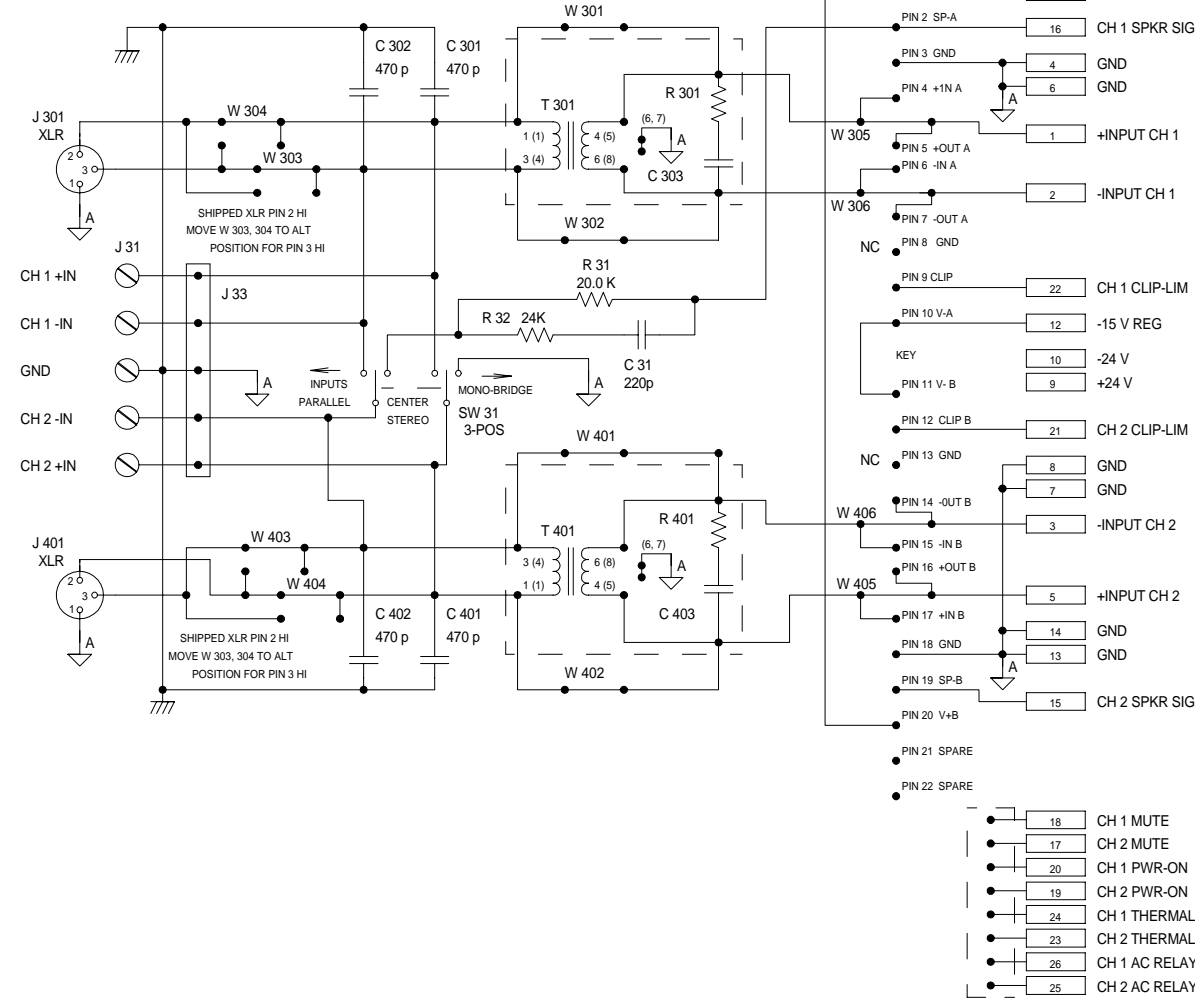
UNLESS OTHERWISE SPECIFIED DIMENSIONS ARE IN INCHES TOLERANCES ARE:		CONTRACT NO.		QSC AUDIO PRODUCTS COSTA MESA, CALIFORNIA	
FRACTIONS	DECIMALS	ANGLES	APPROVALS	DATE	<p>SCHEMATIC DIAGRAM EX-SERIES DISPLAY BOARD</p> <p>SIZE: FSCH NO. C DWG NO. SH-004001-00 B REV</p> <p>SCALE: SH4001B1.FDC SHEET 1 OF 1</p>
+/-	.XX +/-	+/- 0	DRAWN	PAT QUILTER 6-19-90	
	.XXX +/-		CHECKED		
MATERIAL			ISSUED		
FINISH			FCAD: 004001SH		

DWG NO. SH-004001-00 1 B

THIS DOCUMENT CONTAINS PROPRIETARY INFORMATION WHICH IS THE PROPERTY OF QSC AUDIO PRODUCTS THAT MAY NOT BE DISCLOSED, REPRODUCED OR USED WITHOUT EXPRESS WRITTEN CONSENT FROM QSC AUDIO PRODUCTS.

REVISIONS				
ZONE	REV	DESCRIPTION	DATE	APPROVED
	A	PROD REL PER ECO 756		
	B	CHANGE VALUE R31, WAS 21 K SEE ECO 1097	6-10-91	SGM
	C	REVISED FOR MIN-SLOT, BR-SW SEE ECO 1297 BY PHQ	1-24-92	SGM
	D	REVISE PER ECO 1916	6.	

SCHEMATIC, EX-SERIES STANDARD INPUT BOARD.
FOR PC-004005-00 REV B 7-15-93



NOTES, ALL REV LEVELS

1. ALL RESISTORS 1/4W, 5%.
2. ALL CAPACITORS 100V
3. J 32, 26-PIN CONNECTOR, TO J 1 ON FRONT DISPLAY BOARD PC-004001-00.
4. PARTS FOR CH 1 NUMBERED 301-399.
5. PARTS FOR CH 2 NUMBERED 401-499.
6. PARTS IN COMMON TO BOTH CHANNELS NUMBERED 31-49.
7. BOARD SHIPPED WITH W 301-304, W 401-404 MOUNTED AS SHOWN.
8. PARTS WITHIN DOTTED OUTLINE FOR USER MODIFICATION. SEE MANUAL.

NOTES, REV LEVELS A-B

1. THE FIRST YEAR OF PRODUCTION EX AMPLIFIERS SHIPPED WITH PC-004002-00 REV A OR B
2. FOR PC-004005-00 REV A, ADDED PADS 1-20 FOR LEVEL 1-A, 2-A INPUT ACCESSORY PCB
3. ADDED J33, 5-PIN INPUT EXTENDER HEADER AND W305,306,405 & 406.
4. NO CHANGE IN PINOUT OF J32, PINS 1-26
5. SW-31 WAS REVISED ON PC-004005-00 REV A, BUT WILL NOT AFFECT FUNCTION OF UPPER SLOT PCB.

NOTES: UNLESS OTHERWISE SPECIFIED

APPLICATION		PARTS LIST		QSC AUDIO PRODUCTS, INC. COSTA MESA, CALIFORNIA	
PC-004005-00	EX/MPA SERIES	UNLESS OTHERWISE SPECIFIED DIMENSIONS ARE IN INCHES. DIMENSIONS PER ANSI Y14.5-1982 TOLERANCES ARE: DECIMALS .XX ± .XXX ± ANGLES ° DEBURR EDGES .XXX R MAX		CONTRACT NO.	
NEXT ASSY	USED ON	MATERIAL		APPROVALS	DATE
		FINISH		PAT QUILTER 6-18-90	
		DO NOT SCALE DRAWING		CHECKED	
		SH40002C1.FCD		ISSUED	
		SH40002C1.FCD		CAD SEED FILE NO.	
		SH4002D1.FCD		SCALE NONE	
		SH4002D1.FCD		SHEET 1 OF 1	
		SH40002C1.FCD		SIZE C	
		SH40002C1.FCD		FSCM NO.	
		SH40002C1.FCD		DWG NO. SH-004002-00	
		SH40002C1.FCD		REV D	