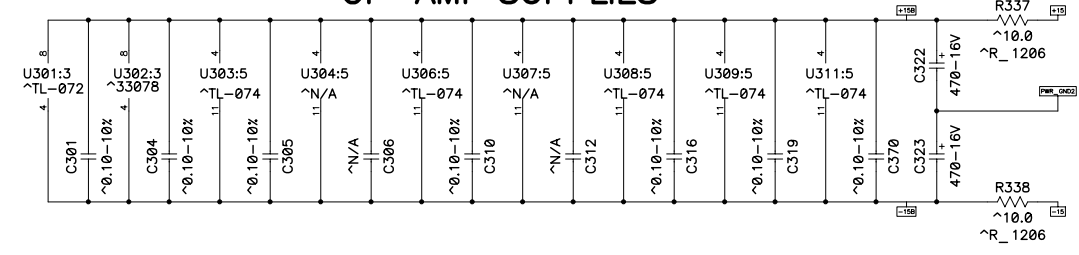
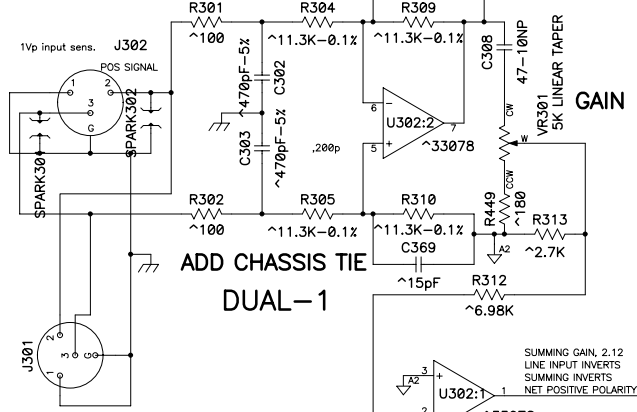


THIS DOCUMENT CONTAINS PROPRIETARY INFORMATION WHICH IS THE PROPERTY OF QSC AUDIO PRODUCTS, THAT MAY NOT BE DISCLOSED, REPRODUCED OR USED WITHOUT EXPRESS WRITTEN CONSENT FROM QSC AUDIO PRODUCTS.

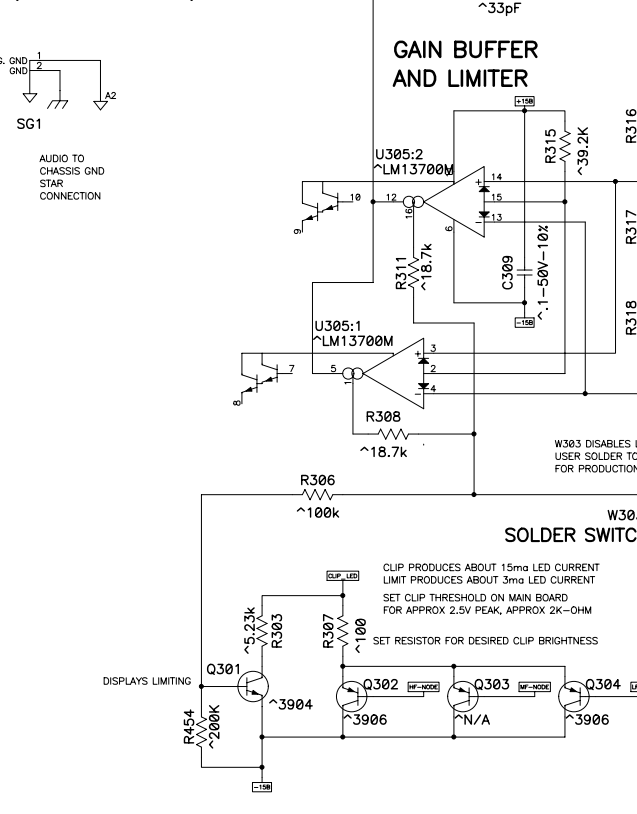
### OP-AMP SUPPLIES



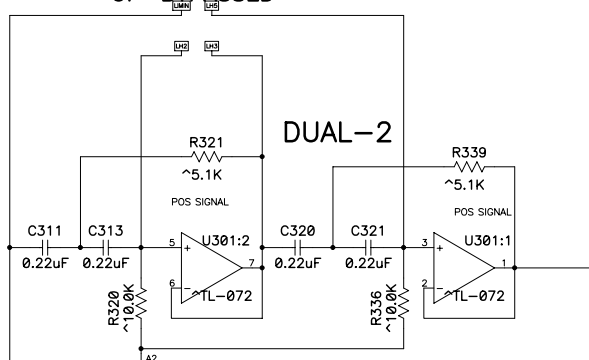
HIGH PERFORMANCE BALANCED INPUT  
0.775V (+0dBu, 1Vp) FOR  
FULL POWER OUTPUT AT MAX GAIN  
0.1% LINE INPUT  
XLR-FEM



LINE OUTPUT  
XLR-MALE  
(USE VERT TYPE)

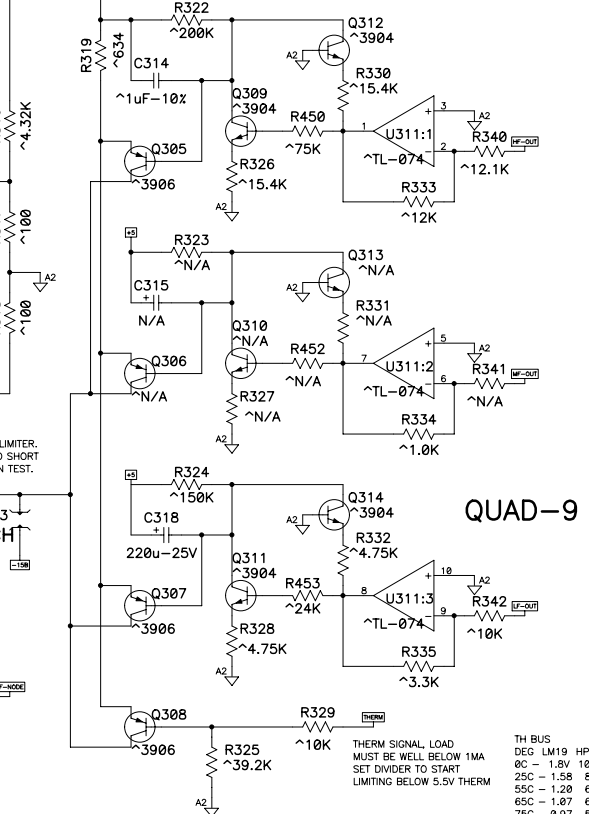


### SWITCHABLE 4TH ORDER HP-100Hz UP=BYPASSED

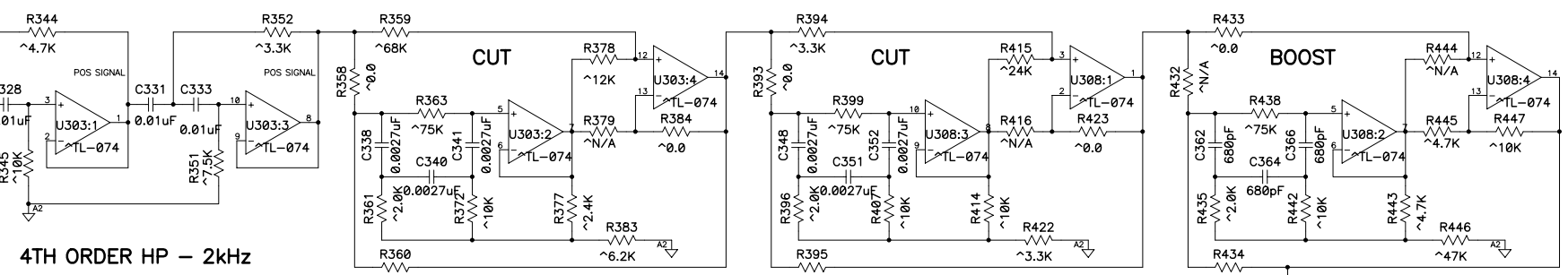


DESIRED LIMITER ATTACK/RELEASE TIMES  
3-WAY  
\*LF ATTACK - 2.76S, RELEASE - 4.76S  
\*MF ATTACK - 232ms, RELEASE - 521ms  
\*HF ATTACK - 22ms, RELEASE - 32ms  
2-WAY  
\*LF ATTACK - 3S, RELEASE - 4.7S  
\*HF ATTACK - 21ms, RELEASE 32ms  
15% SUB  
\*ATTACK - 300ms, RELEASE - 475ms  
18% SUB  
\*ATTACK - 300ms, RELEASE - 560ms

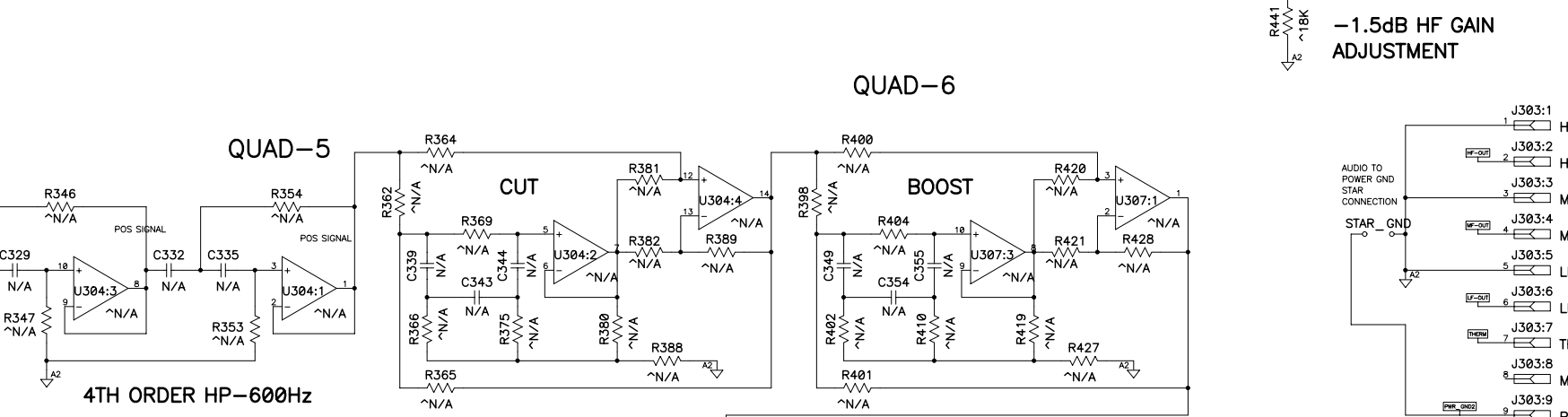
### LIMITER CONTROL PROCESSING



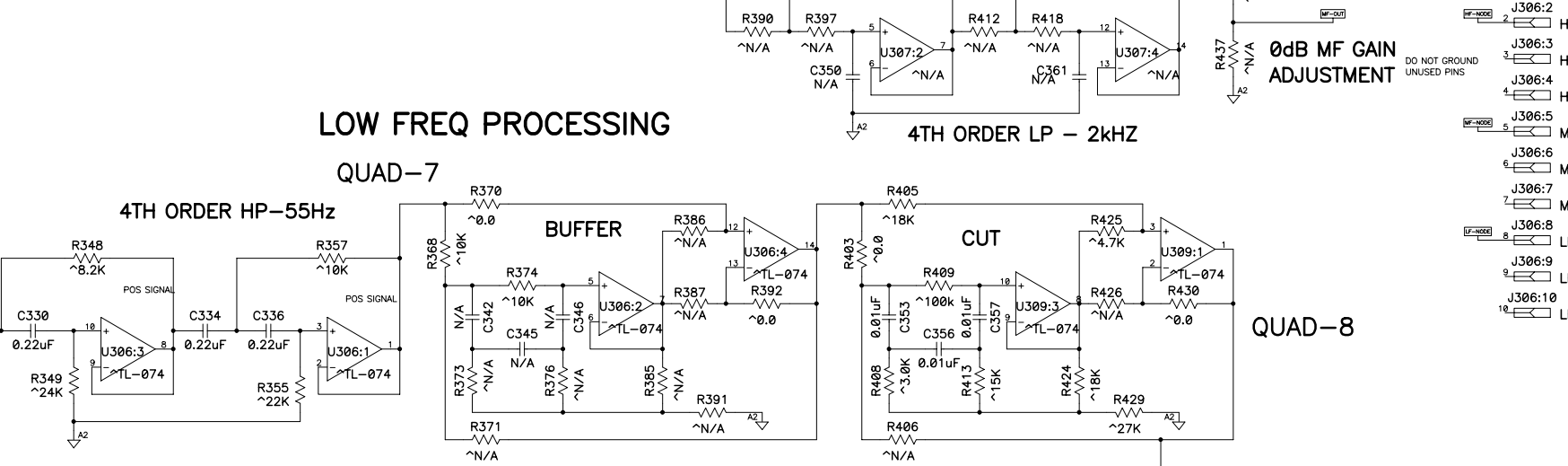
TH BUS  
DEC LM19 HPR  
0C - 1.5V 10.14  
25C - 1.58 8.90  
55C - 1.20 6.76  
65C - 1.87 6.82  
75C - 0.97 5.46 - LIMIT  
83C - 0.88 5.00 - MUTE  
85C - 0.86 4.84  
95C - 0.75 4.22



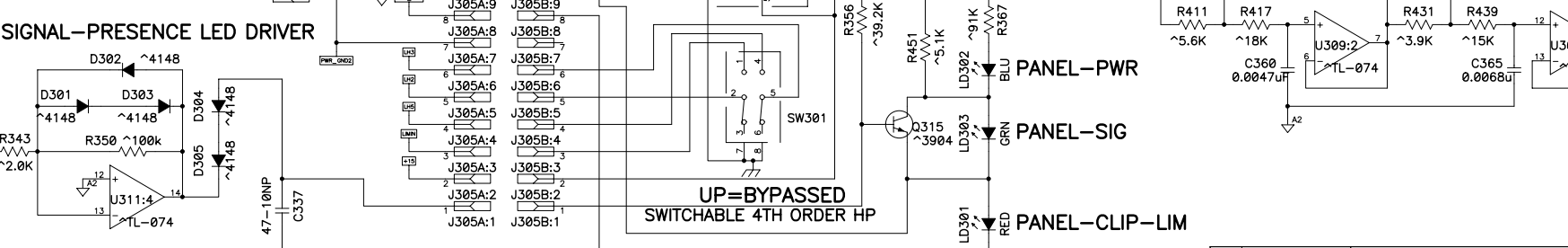
### 4TH ORDER HP - 2kHz QUAD-3 HIGH FREQ PROCESSING QUAD-4



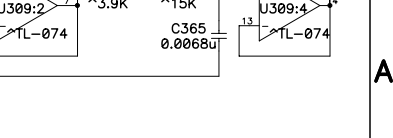
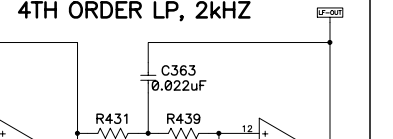
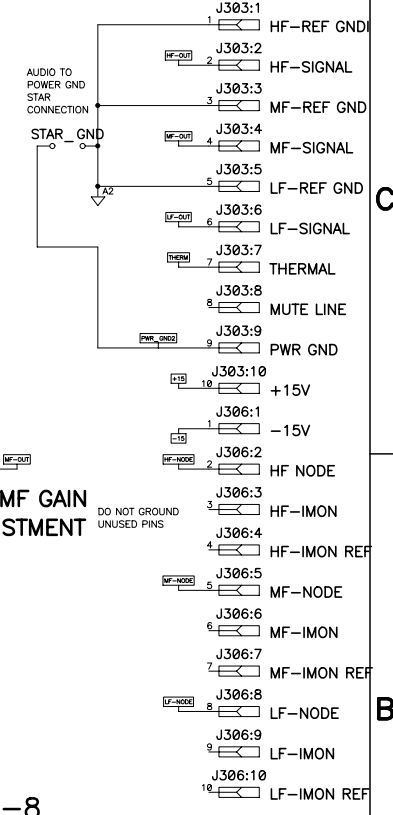
### 4TH ORDER HP - 600Hz QUAD-5 UNUSED MID FREQ PROCESSING QUAD-6



### LOW FREQ PROCESSING QUAD-7 4TH ORDER LP - 2kHz QUAD-8



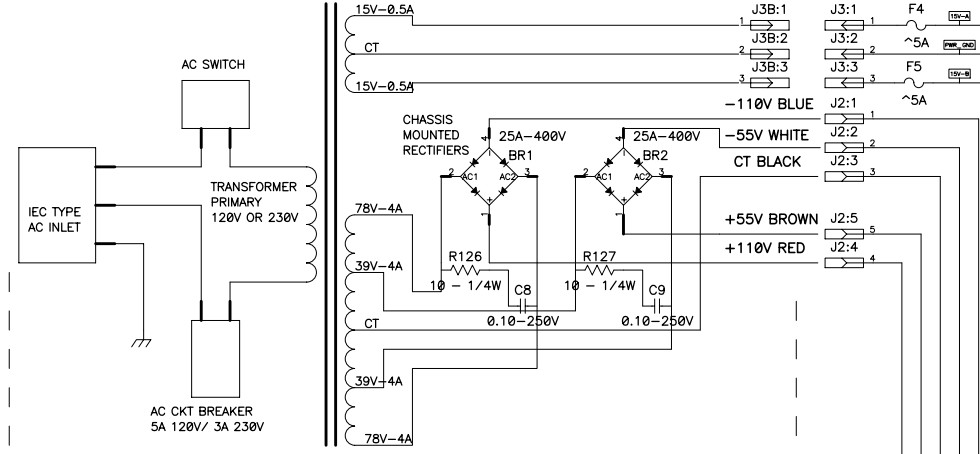
### TO FRONT MOUNTED LED (SWITCHABLE) SIGNAL-PRESENCE LED DRIVER UP=BYPASSED SWITCHABLE 4TH ORDER HP 4TH ORDER LP, 2kHz QUAD-8



THIS DOCUMENT CONTAINS PROPRIETARY INFORMATION WHICH IS THE PROPERTY OF QSC AUDIO PRODUCTS. THAT MAY NOT BE DISCLOSED, REPRODUCED OR USED WITHOUT EXPRESS WRITTEN CONSENT FROM QSC AUDIO PRODUCTS.

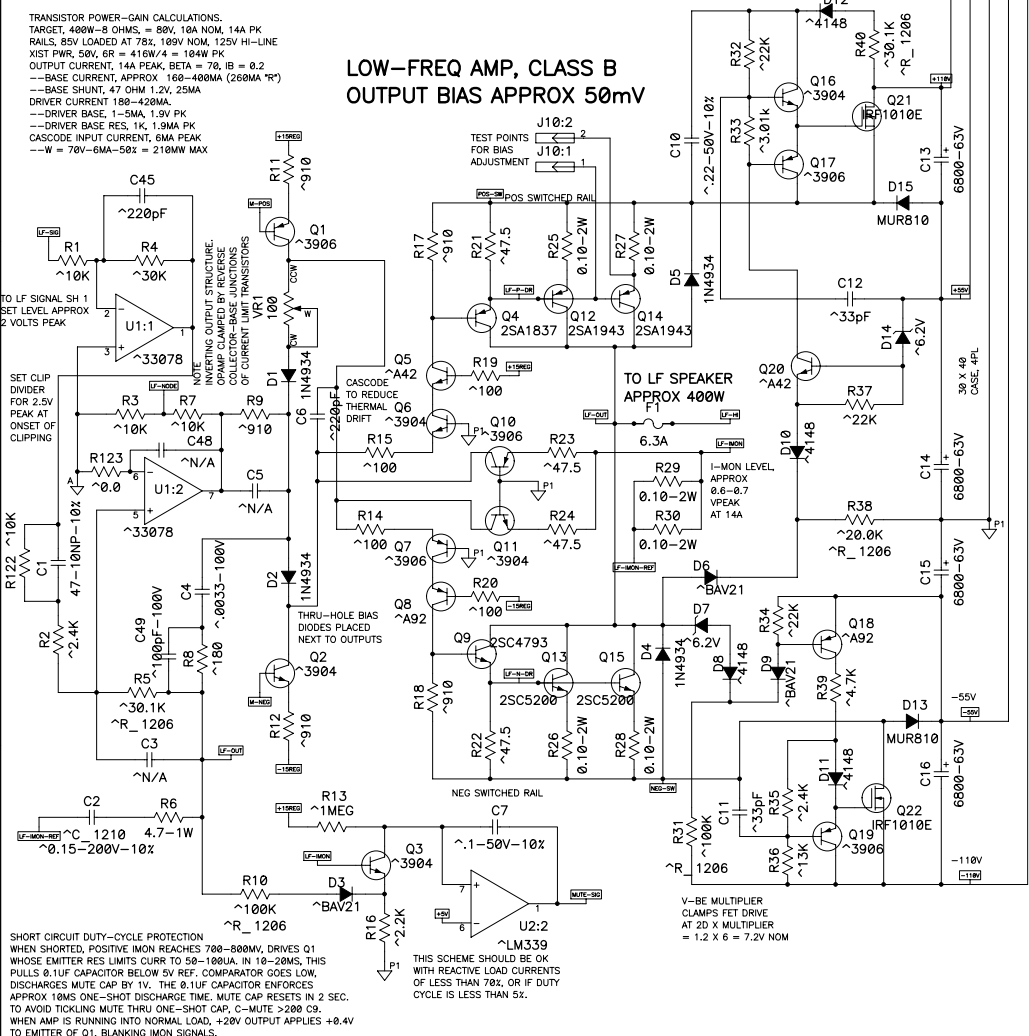
AC TRANSFORMER  
NEW 500W DESIGNS  
XF-000295-GP 100V/120V 60HZ  
XF-000296-GP 230V 50HZ

TRANSFORMER CT WIRE AND RECTIFIER WIRES CONNECT DIRECTLY TO J2. J3B COMES FROM THE TRANSFORMER.



CHASSIS-MOUNTED PARTS

LOW-FREQ AMP, CLASS B  
OUTPUT BIAS APPROX 50mV



SHORT CIRCUIT DUTY-CYCLE PROTECTION  
WHEN SHORTED, POSITIVE IMON REACHES 700-800mV, DRIVES Q1 WHOSE EMITTER RES LIMITS CURR TO 50-100uA. IN 10-20MS, THIS PULLS 0.1uF CAPACITOR BELOW 5V REF. COMPARTOR GOES LOW, DISCHARGES MUTE CAP BY IV. THE 0.1uF CAPACITOR ENFORCES APPROX 10MS ONE-SHOT DISCHARGE TIME. MUTE CAP RESETS IN 2 SEC. TO AVOID TICKLING MUTE THRU ONE-SHOT CAP, C-MUTE >200 C9. WHEN AMP IS RUNNING INTO NORMAL LOAD, +20V OUTPUT APPLIES +0.4V TO EMITTER OF Q1, BLANKING IMON SIGNALS.

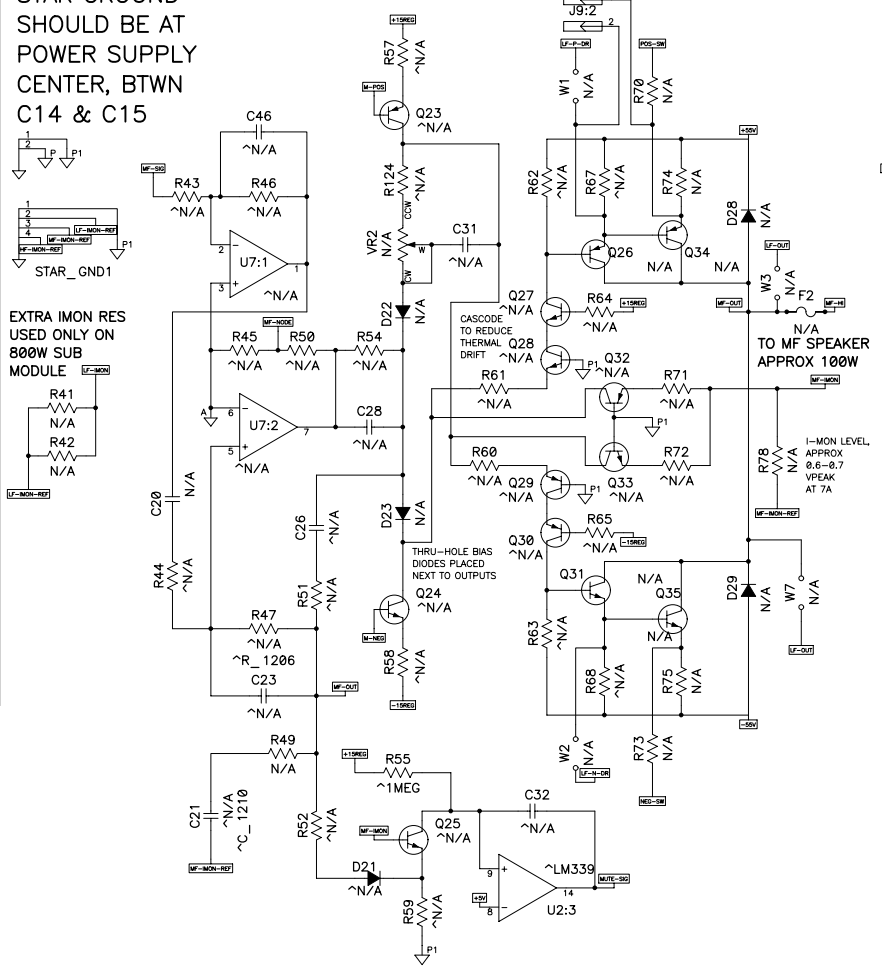
THIS SCHEME SHOULD BE OK WITH REACTIVE LOAD CURRENTS OF LESS THAN 70A, OR IF DUTY CYCLE IS LESS THAN 5%.

OUTPUT FUSE SCHEDULE  
SUB.  
400W MAX-4 OHM = 10A  
FAULT CURRENT = 20A  
2-WAY AND 3-WAY  
200W MAX, LF, 8R = 5A  
FAULT CURRENT = 10A  
50W MAX, MF-HF 8R = 2.5A  
FAULT CURRENT = 5A

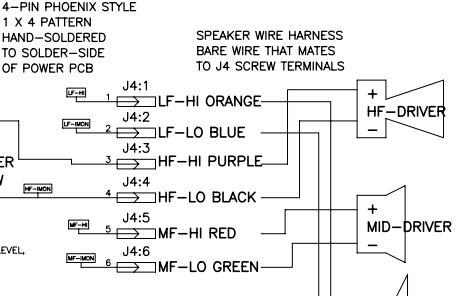
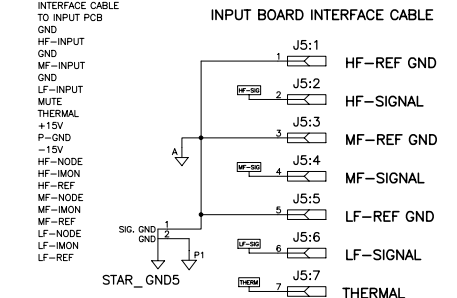
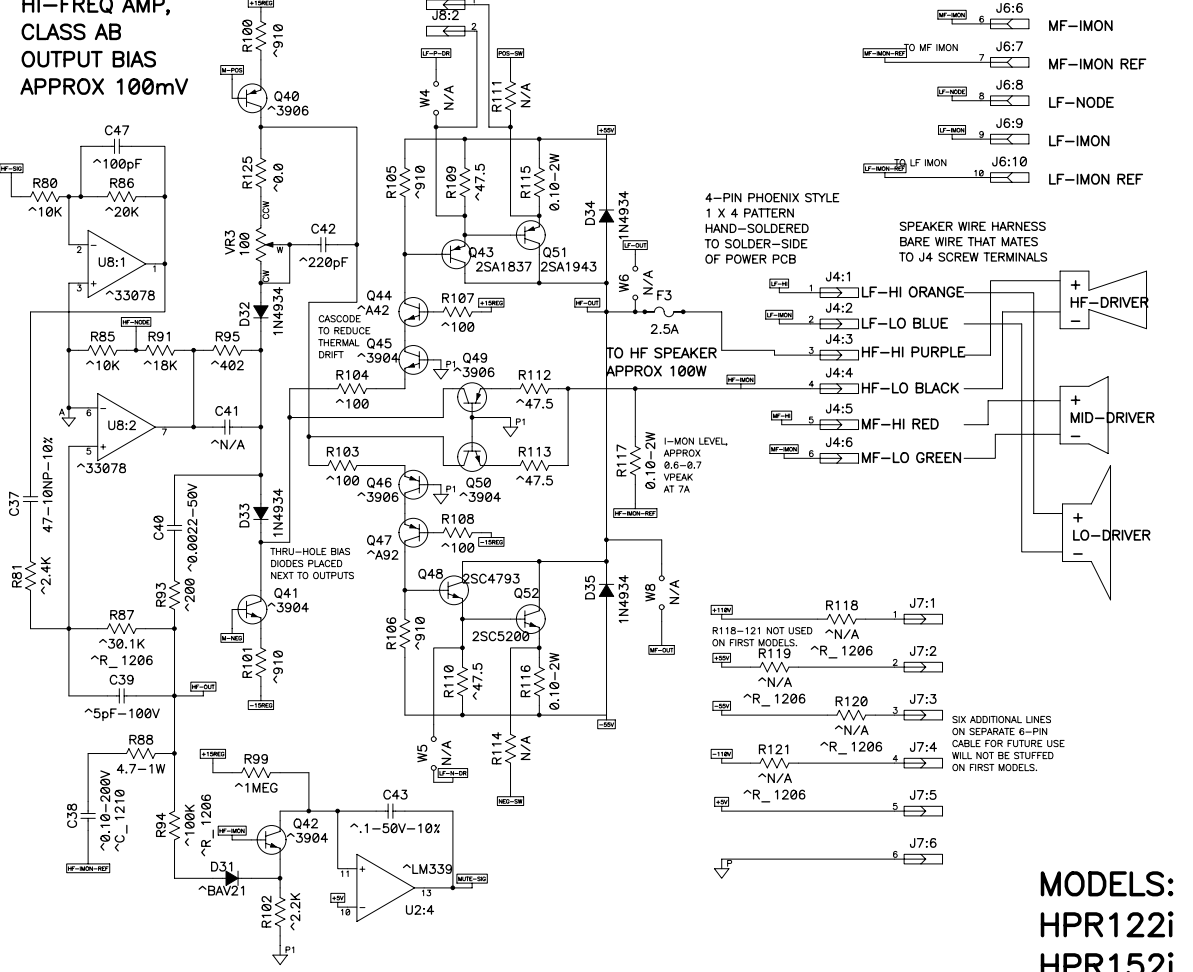
STAR GROUND SHOULD BE AT POWER SUPPLY CENTER, BTWN C14 & C15

EXTRA IMON RES USED ONLY ON 800W SUB MODULE

MID-FREQ AMP,  
NOT USED FOR 2-WAY



HI-FREQ AMP,  
CLASS AB  
OUTPUT BIAS APPROX 100mV



MODELS:  
HPR122i  
HPR152i

NOTES: UNLESS OTHERWISE SPECIFIED

SIZE	FSCM NO.	DWG NO.	REV
D		SH-122001-00	A
SCALE	CAD FILE NO.	SHEET	2

Part Number	Description	Qty	Ref Des
CA-005001-GP	5P, +0.25P, 100V, CTC, 0805, 0/30	1	C39
CA-015005-GP	15PF, 5 PCNT, 50V, CERAMIC, 0805,	2	C368, C369
CA-033003-GP	33PF, 5%, 50V, CC, 0805, 1.2X	3	C11, C12, C307
CA-110005-GP	CC 50V 100PF 5% 0805 1.2	1	C47
CA-110007-GP	100P, 5%, 100V, CTC, 0805, 0/30	1	C49
CA-122005-GP	CC 50V 220PF 5% 0805	3	C42, C45, C6
CA-147006-GP	470PF 5% 50V CER NPO	2	C302, C303
CA-168006-GP	680PF, 5 PCNT, 50V, FILM, DIPPED,	3	C362, C364, C366
CA-222015-GP	2200P, 5%, 50V, CTC, 0805, 0/30	1	C40
CA-227004-GP	.0027UF, 5 PCNT, 50V, FILM, ,	6	C338, C340, C341, C348, C351, C352
CA-233009-GP	3300P, 5%, 100V, CTC, 1206, 0/30	1	C4
CA-247005-GP	.0047UF, 5 PCNT, 50V, FILM, DIPPED,	1	C360
CA-268002-GP	6800P, 5%, 63V, CM, , RBT	1	C365
CA-310010-GP	0.01U, 5%, 63V, CM, , RBT 7.5X	7	C324, C328, C331, C333, C353, C356, C357
CA-322011-GP	0.022U, 5%, 63V, CM, , RBT	2	C358, C363
CA-410014-GP	0.1UF 10% 50V CER X7R 0805	17	C17, C22, C27, C301, C304, C305, C309, C310, C316, C317, C319, C33, C34, C370, C43, C50, C7
CA-410018-GP	CM 250V .1UF 5% RL	2	C8, C9
CA-410024-GP	CC 200V 0.1U 5% 1210	1	C38
CA-415006-GP	.15UF, 5 PCNT, 200V, CC, 1210,	1	C2
CA-422010-GP	0.22U, 10%, 50V, CC, 0805,	2	C10, C30
CA-422011-GP	0.22U, 5%, 63V, CM, , RBT, 7.5X	8	C311, C313, C320, C321, C327, C330, C334, C336
CA-510016-GP	1U, 10%, 25V, CC, 0805,	1	C314
CA-510017-GP	1UF, 20 PCNT, 50V, CC, SMT, 1210	2	C24, C25
CA-610009-GP	CE 35V 10UF 20% RL 5 X 11	1	C35
CA-622010-GP	22UF, 20%, 35V, CE, , RLT, 5x11	1	C36
CA-647006-GP	CE 16NP 47UF 20% RL	5	C1, C308, C326, C337, C37
CA-722007-GP	220UF, 20 PCNT, 25V, CE, RL,	1	C318
CA-747009-GP	470UF, 20%, 16V, CE, , RLT	2	C322, C323
CA-810007-GP	1000UF, 20%, 25V, CE, , RLT	2	C18, C19
CA-868002-GP	6800UF, 20 PCNT, 63V, CE, RL,	4	C13, C14, C15, C16
CH-000173-GP	COVER, XFMR, STEEL, LARGE	1	
CH-000489-GP	PLATE-SPRING STEEL, , , ,	4	
CH-000490-GP	HEATSINK, 381X189.2X38.1, , HPR,	1	
CH-000545-GP	PANEL, INPUT, , HPR122I,	4	
CH-000550-GP	PANEL, AC, , HPR,	1	
CO-000058-GP	XLR, CONNECTOR, 3PM, , ,	1	J301
CO-000204-GP	CONN XLR F VERT PLASTIC	1	J302
CO-000211-GP	AC INLET 250V 15A	1	
CO-000213-GP	CONN 2 PIN STRAIGHT WAFER	1	J304A
CO-000214-GP	CONN 3 PIN STRAIGHT WAFER	1	J3
CO-000347-GP	TERMINAL BLOCK, 5MM, 5POS(1X5), FEMALE, RIGHT ANGLE	1	J2
CO-000349-GP	WIRE HOLDER, RIBBON CABLE, 10 POS, FEMALE,	3	J303, J305B, J306
CO-000350-GP	WIRE TRAP, RIBBON CABLE, 10 POS, FEMALE, RELEASEABLE	3	J305A, J5, J6
CO-000351-GP	TERMINAL BLACK, 5MM, 4POS(1X4), FEMALE, RIGHT	1	J4
HW-000075-GP	FUSE HOLDER, , , , ,	2	F1, F3
HW-000102-GP	BRASS POST, D6X10, , , ,	3	
IC-000075-GP	IC VOLTAGE REG, +5, LM78L05, SMT,	1	U310
IC-000076-GP	IC LM339, SMD COMPARATORS, , ,	1	U2
IC-000077-GP	IC LM13700M, , , SMT,	1	U305
IC-000078-GP	IC LM19, THERMAL SENSOR, , TO-92,	1	U4
IC-000079-GP	IC MC33078, OP-AMP, , SMT,	3	U1, U302, U8
IC-000377-GP	IC 7805, REGULATOR, 5V, ,	1	U3
IC-000378-GP	IC LM7915CT, REGULATOR, -15V, ,	1	U6
IC-000379-GP	IC LM7815CT, REGULATOR, 15V, ,	1	U5
IC-000380-GP	IC TL072, OPAMP, DUAL, SO-8,	1	U301
IC-000381-GP	IC TL074CD-SO14, OPAMP, QUAD, SO-14,	5	U303, U306, U308, U309, U311
LB-000627-GP	LABEL, WARNING, TOP BOX, HPR,	1	
MS-000070-GP	2.5A, FAST ACT 5X20, , ,	1	F3
MS-000073-GP	FUSE, FAST, ACTING 5A, SMT, 1206,	2	F4, F5
MS-000292-GP	FUSE, 6.3A, 5 X 20MM, FAST,	1	F1
NW-000070-GP	M3, NUT, , , ,	3	
NW-000072-GP	NUT, HEX, M4, ,	1	
NW-040002-GP	SPRING WASHER M4 X 7	1	
NW-040003-GP	I/T WASHER M4X0.4X8, YZ	1	
PC-122001-00	PCB, MAIN, HPR122I, , ,	1	
PC-122002-00	PCB, INPUT, HPR151I, , ,	1	
PL-000066-GP	EVA GASKET, 5X500, , , ,	3	
PL-000152-GP	CABLE TIE, ISA	4	
PL-000327-GP	PAD, XFMR, EPDM 40A, 1/8" THK, BLACK,	2	
PL-000391-GP	KNOB, GAIN, HPR SERIES, , ,	1	
PL-000454-GP	INSULATION SHEET IC, , , SILPAD 800, ,	4	
PL-000455-GP	LED HOLDER, LED3-11, , , ,	3	LD301-1, LD302-1, LD303-1
PL-000456-GP	SPRINGSEAT, TRANSISTOR, HPR, NYLON, ,	4	
PL-000457-GP	SPACER, L=4.0, ELM 3, , ,	1	U4
PL-000458-GP	SPONGE CUSHION, , , , ,	2	
PT-110002-GP	TRIM, 100, 20 PCNT, 0.15W, , ,	2	VR1, VR3
PT-250003-GP	VR 5K, XVB12111YNPVB25F, , , ,	1	VR301
QD-000201-GP	DIODE LL4148 SM	15	D10, D11, D12, D20, D24, D25, D27, D30, D301, D302, D303, D304, D305, D38, D8
QD-000204-GP	XISTOR NPN 60V 200MA 3904 SOT-23	17	Q11, Q16, Q2, Q3, Q301, Q309, Q311, Q312, Q314, Q315, Q37, Q38, Q41, Q42, Q45, Q50, Q6

Part Number	Description	Qty	Ref Des
QD-000205-GP	XISTOR PNP 40V 0.2A TR3906 SOT-23	15	Q1, Q10, Q17, Q19, Q302, Q304, Q305, Q307, Q308, Q36, Q39, Q40, Q46, Q49, Q7
QD-000206-GP	DIOD RECT FAST, IN4934 AT	8	D1, D2, D32, D33, D34, D35, D4, D5
QD-000208-GP	XISTOR PNP 230V 15A 2SA1943	3	Q12, Q14, Q51
QD-000209-GP	XISTOR NPN 230V 15A 2SC5200	3	Q13, Q15, Q52
QD-000227-GP	BRIDGE RECT 400V 25A	2	BR1, BR2
QD-000260-GP	MOSFET, N-CH, 60V, 52A, 52N06V	2	Q21, Q22
QD-000300-GP	LED SC, 2.9 X 5.4 XL 0.5 BL, , , , ,	1	LD302
QD-000301-GP	LED, 3MM, GREEN SP, , , ,	1	LD303
QD-000302-GP	LED SP, 2.9 X 5.4 XL 0.5 RED, , , , ,	1	LD301
QD-000303-GP	DIODE, BAV21WS 250V, , , , ,	4	D3, D31, D6, D9
QD-000304-GP	DIODE, MUR810 RL 8A, , , , ,	2	D13, D15
QD-000305-GP	DZ 1/2W, 6.2VB RLZ6.2B, , , , SMT,	2	D14, D7
QD-000306-GP	DZ 1/2W, 7.5VB RLZ7.5B LL, , , , SMT,	1	D26
QD-000307-GP	SMD DIODE, ISR154-400, , , , ,	6	D16, D17, D18, D19, D36, D37
QD-000308-GP	TR MMBTA42 NPN SMD, , , , , SOT-23,	3	Q20, Q44, Q5
QD-000309-GP	TR 2SA1837, 100-320 RL, , , , ,	2	Q4, Q43
QD-000310-GP	TR 2SC4793, 100-320-RL, , , , ,	2	Q48, Q9
QD-000311-GP	TR MMBTA92 SOT 23 KEC, , , , ,	3	Q18, Q47, Q8
RE-01002-GP	0.1R, 5 PCNT, 2W, RMF, ATS METAL,	9	R115, R116, R117, R25, R26, R27, R28, R29, R30
RE-47006-GP	RMF, 1W, 4R7, 5%, AT,	2	R6, R88
RE-000003-GP	RMG 1/10W 0 OHM 5% 0805	12	R123, R125, R358, R370, R384, R392, R393, R403, R423, R430, R433, R434
RE-001009-GP	10 1% 1/8W THK FLM 1206	2	R337, R338
RE-001012-GP	10OHM, 1/4W, 1%, AT, RMF,	2	R126, R127
RE-001013-GP	10, 1 PCNT, 1/10W, THICK FILM, 0805,	1	R128
RE-004753-GP	RMG 1/10W 47.5 OHM 1% 0805	8	R109, R110, R112, R113, R21, R22, R23, R24
RE-010011-GP	100 1% 1/10W THK FLM 0805 100V	13	R103, R104, R107, R108, R14, R15, R19, R20, R301, R302, R307, R317, R318
RE-018001-GP	180R, 1 PCNT, 1/10W, RMG, 0805,	2	R449, R8
RE-020003-GP	200 1% 1/10W THK FLM 0805 100V	1	R93
RE-040200-GP	402R, 1 PCNT, 1/10W, RMG, 0805,	1	R95
RE-047012-GP	470, 1 PCNT, 1/10W, THICK FILM, 0805,	1	R77
RE-063405-GP	634 OHMS 1% 1/10W 0805	1	R319
RE-078702-GP	787 1% 1/10W THICK FILM 0805	1	R440
RE-091002-GP	910R, 1 PCNT, 1/10W, RMG, 0805,	9	R100, R101, R105, R106, R11, R12, R17, R18, R9
RE-110013-GP	RMG 1/10W 1K 1% 0805	1	R334
RE-120004-GP	RMG 1/10W 2K 1% 0805	4	R343, R361, R396, R435
RE-122010-GP	2.2K 1% 1/10W THK FM 0805 100V	2	R102, R16
RE-124001-GP	2.4K, 1 PCNT, 1/10W, RMG, 0805,	4	R2, R35, R377, R81
RE-127001-GP	2.7K, 1 PCNT, 1/10W, RMG, 0805,	1	R313
RE-130006-GP	3K, 1 PCNT, 1/10W, THICK FILM, 0805,	1	R408
RE-130103-GP	RMG 1/10W 3.01K 1% 0805	1	R33
RE-133008-GP	3.3K, 1 PCNT, 1/10W, THICK FILM, 0805,	4	R335, R352, R394, R422
RE-139006-GP	3.9K, 1 PCNT, 1/10W, THICK FILM, 0805,	1	R431
RE-143202-GP	4.32K, 1 PCNT, 1/10W, RMG, 0805,	1	R316
RE-147002-GP	4.7K 1% 1/10W THK FLM 0805	9	R344, R39, R425, R443, R445, R56, R66, R79, R97
RE-147506-GP	4.75K, 1 PCNT, 1/10W, THICK FILM, 0805,	2	R328, R332
RE-151006-GP	5.1K, 1 PCNT, 1/10W, THICK FILM, 0805,	3	R321, R339, R451
RE-152302-GP	5.23K, 1 PCNT, 1/10W, THICK FILM, 0805,	1	R303
RE-156004-GP	5.6K, 1 PCNT, 1/10W, THICK FILM, 0805,	1	R411
RE-159003-GP	5.9K 1% 1/10W THK FLM 0805	2	R96, R98
RE-162001-GP	6.2K, 1 PCNT, 1/10W, RMG, 0805,	1	R383
RE-164901-GP	6.49K, 1 PCNT, 1/10W, RMG, 0805,	1	R48
RE-169802-GP	6.98K, 1 PCNT, 1/10W, THK FLM, 0805, 100V	1	R312
RE-175004-GP	7.5K 1% 1/10W THK FM 0805 100V	1	R351
RE-182007-GP	8.2K, 1 PCNT, 1/10W, THICK FILM, 0805,	1	R348
RE-210007-GP	10K 1% 1/10W THK FLM 0805	19	R1, R122, R3, R320, R329, R336, R342, R345, R357, R368, R372, R374, R407, R414, R442, R447, R7, R80, R85
RE-211305-GP	11.3K 1% 1/10W RMG 0805	4	R304, R305, R309, R310
RE-212003-GP	12K 1% 1/10W THK FLM 0805 100V	2	R333, R378
RE-212004-GP	12K, 1 PCNT, 1/8W, THICK FILM, 1206,	1	R448
RE-212105-GP	12.1K, 1 PCNT, 1/10W, RMG, 0805,	1	R340
RE-213005-GP	13K, 1 PCNT, 1/10W, RMG, 0805,	3	R36, R89, R90
RE-215003-GP	15K, 1 PCNT, 1/10W, RMG, 0805,	2	R413, R439
RE-215402-GP	15.4K, 1 PCNT, 1/10W, RMG, 0805,	2	R326, R330
RE-218006-GP	18K, 1 PCNT, 1/10W, THICK FILM, 0805,	5	R405, R417, R424, R441, R91
RE-218702-GP	18.7K, 1 PCNT, 1/10W, THICK FILM, 0805,	2	R308, R311
RE-220005-GP	RMG 1/10W 20K 1% 0805	1	R86
RE-220006-GP	20K, 1 PCNT, 1/10W, THICK FILM, 1206,	1	R38
RE-222001-GP	22K 1% 1/10W 0805	5	R314, R32, R34, R355, R37
RE-224001-GP	24.0K 1% 1/10W THK FLM 0805	3	R349, R415, R453
RE-227001-GP	27K 1% 1/10W 0805	1	R429
RE-230006-GP	30K, 1 PCNT, 1/10W, THICK FILM, 0805,	1	R4
RE-230104-GP	30.1K 1% 1/8W RMG 1206	3	R40, R5, R87
RE-230105-GP	30.1K, 1 PCNT, 1/10W, THICK FILM, 0805,	1	R53
RE-239204-GP	39.2K, 1 PCNT, 1/10W, THICK FILM, 0805,	3	R315, R325, R356
RE-247006-GP	47K 1% 1/10W THK FLM 0805 100V	3	R446, R69, R76
RE-268004-GP	68K, 1 PCNT, 1/10W, THICK FILM, 0805,	1	R359
RE-275005-GP	75K, 1 PCNT, 1/10W, RMG, ,	4	R363, R399, R438, R450
RE-291001-GP	91K, 1 PCNT, 1/10W, RMG, 0805,	1	R367
RE-310007-GP	100K 1% 1/10W THK FLM 0805	3	R306, R350, R409
RE-310008-GP	100K 1% 1/8W THK FLM 1206	5	R10, R31, R83, R92, R94

Part Number	Description	Qty	Ref Des
RE-312006-GP	120K 1% 1/10W RMG 0805	1	R386
RE-315006-GP	150K, 1 PCNT, 1/10W, THICK FILM, 0805,	1	R324
RE-320006-GP	200K, 1 PCNT, 1/10W, THICK FILM, 0805,	2	R322, R454
RE-349901-GP	499K 1% 1/8W THICK FILM 1206	1	R82
RE-410003-GP	1M 1% 1/10W RMG 0805	4	R13, R55, R84, R99
SC-000081-GP	T3X8MM, SELF TAPPING, , , ,	2	
SC-000082-GP	SCREW, BIND, HEAD, M3.2 X 8, , B-TITE,	6	
SC-000083-GP	SCREW, BIND, HEAD, M3.5 X 16, , B-TITE,	8	
SC-000084-GP	SCREW, BIND, SERRATED HEAD, M4X25, B-TITE,	4	
SC-000085-GP	SELF SCREW, 3X8, WITH, SERRATED HEAD, , ,	2	
SC-000086-GP	SCREW, M8X101.5, BZ, , , ,	1	
SC-030002-GP	M3 B-TITE FLAT-CS	2	
SC-030004-GP	M3 X 8 BLK MACHINE	6	
SC-040001-GP	SCREW M4-18 X 10MM, BLK ZN	2	
SW-000088-GP	ROCKER POWER SWITCH	1	
SW-000093-GP	CIRCUIT BREAKER, 5 AMP, ,	1	
SW-000122-GP	SWITCH, 1P2T, ,	1	SW302
SW-000123-GP	SWITCH, 2P2T, ,	1	SW301
WC-000188-GP	SLEEVE, PVC, 5MM ID, BLK	0	
WC-000410-GP	UL1672, AWG#18, BROWN, , , , ,	0	
WC-000411-GP	UL1672, AWG#18, BLUE, , , , ,	0	
WC-000412-GP	GRND WIRE, UL1015 #14, , , , ,	1	
WC-000413-GP	WIRE-FLAT, 10P P1.5 #26, , , , ,	3	J303, J305B, J306
WC-000423-GP	SHRINKAGE TUBE, ID=6MM, UL, , , , ,	0	
XF-000295-GP	XFMR, POWER, , 60HZ, TORIODAL, 500W, , HPR 2-WAY, 120V,	1	

Part Number	Description	Qty	Ref Des
CA-005001-GP	5P, +0.25P, 100V, CTC, 0805, 0/30	1	C39
CA-015005-GP	15PF, 5 PCNT, 50V, CERAMIC, 0805,	2	C368, C369
CA-033003-GP	33PF, 5%, 50V, CC, 0805, 1.2X	3	C11, C12, C307
CA-110005-GP	CC 50V 100PF 5% 0805 1.2	1	C47
CA-110007-GP	100P, 5%, 100V, CTC, 0805, 0/30	1	C49
CA-122005-GP	CC 50V 220PF 5% 0805	3	C42, C45, C6
CA-147006-GP	470PF 5% 50V CER NPO	2	C302, C303
CA-168006-GP	680PF, 5 PCNT, 50V, FILM, DIPPED,	3	C362, C364, C366
CA-222015-GP	2200P, 5%, 50V, CTC, 0805, 0/30	1	C40
CA-227004-GP	.0027UF, 5 PCNT, 50V, FILM, ,	6	C338, C340, C341, C348, C351, C352
CA-233009-GP	3300P, 5%, 100V, CTC, 1206, 0/30	1	C4
CA-247005-GP	.0047UF, 5 PCNT, 50V, FILM, DIPPED,	1	C360
CA-268002-GP	6800P, 5%, 63V, CM, , RBT	1	C365
CA-310010-GP	0.01U, 5%, 63V, CM, , RBT 7.5X	7	C324, C328, C331, C333, C353, C356, C357
CA-322011-GP	0.022U, 5%, 63V, CM, , RBT	2	C358, C363
CA-410014-GP	0.1UF 10% 50V CER X7R 0805	17	C17, C22, C27, C301, C304, C305, C309, C310, C316, C317, C319, C33, C34, C370, C43, C50, C7
CA-410018-GP	CM 250V .1UF 5% RL	2	C8, C9
CA-410024-GP	CC 200V 0.1U 5% 1210	1	C38
CA-415006-GP	.15UF, 5 PCNT, 200V, CC, 1210,	1	C2
CA-422010-GP	0.22U, 10%, 50V, CC, 0805,	2	C10, C30
CA-422011-GP	0.22U, 5%, 63V, CM, , RBT, 7.5X	8	C311, C313, C320, C321, C327, C330, C334, C336
CA-510016-GP	1U, 10%, 25V, CC, 0805,	1	C314
CA-510017-GP	1UF, 20 PCNT, 50V, CC, SMT, 1210	2	C24, C25
CA-610009-GP	CE 35V 10UF 20% RL 5 X 11	1	C35
CA-622010-GP	22UF, 20%, 35V, CE, , RLT, 5x11	1	C36
CA-647006-GP	CE 16NP 47UF 20% RL	5	C1, C308, C326, C337, C37
CA-722007-GP	220UF, 20 PCNT, 25V, CE, RL,	1	C318
CA-747009-GP	470UF, 20%, 16V, CE, , RLT	2	C322, C323
CA-810007-GP	1000UF, 20%, 25V, CE, , RLT	2	C18, C19
CA-868002-GP	6800UF, 20 PCNT, 63V, CE, RL,	4	C13, C14, C15, C16
CH-000173-GP	COVER, XFMR, STEEL, LARGE	1	
CH-000489-GP	PLATE-SPRING STEEL, , , ,	4	
CH-000490-GP	HEATSINK, 381X189.2X38.1, , HPR,	1	
CH-000545-GP	PANEL, INPUT, , HPR122i,	4	
CH-000550-GP	PANEL, AC, , HPRi,	1	
CO-000058-GP	XLR, CONNECTOR, 3PM, , ,	1	J301
CO-000204-GP	CONN XLR F VERT PLASTIC	1	J302
CO-000211-GP	AC INLET 250V 15A	1	
CO-000213-GP	CONN 2 PIN STRAIGHT WAFER	1	J304A
CO-000214-GP	CONN 3 PIN STRAIGHT WAFER	1	J3
CO-000347-GP	TERMINAL BLOCK, 5MM, 5POS(1X5), FEMALE, RIGHT ANGLE	1	J2
CO-000349-GP	WIRE HOLDER, RIBBON CABLE, 10 POS, FEMALE,	3	J303, J305B, J306
CO-000350-GP	WIRE TRAP, RIBBON CABLE, 10 POS, FEMALE, RELEASEABLE	3	J305A, J5, J6
CO-000351-GP	TERMINAL BLACK, 5MM, 4POS(1X4), FEMALE, RIGHT	1	J4
HW-000075-GP	FUSE HOLDER, , , , ,	2	F1, F3
HW-000102-GP	BRASS POST, D6X10, , , ,	3	
IC-000075-GP	IC VOLTAGE REG, +5, LM78L05, SMT,	1	U310
IC-000076-GP	IC LM339, SMD COMPARATORS, , ,	1	U2
IC-000077-GP	IC LM13700M, , , SMT,	1	U305
IC-000078-GP	IC LM19, THERMAL SENSOR, , TO-92,	1	U4
IC-000079-GP	IC MC33078, OP-AMP, , SMT,	3	U1, U302, U8
IC-000377-GP	IC 7805, REGULATOR, 5V, , ,	1	U3
IC-000378-GP	IC LM7915CT, REGULATOR, -15V, , ,	1	U6
IC-000379-GP	IC LM7815CT, REGULATOR, 15V, , ,	1	U5
IC-000380-GP	IC TL072, OPAMP, DUAL, SO-8,	1	U301
IC-000381-GP	IC TL074CD-SO14, OPAMP, QUAD, SO-14,	5	U303, U306, U308, U309, U311
LB-000627-GP	LABEL, WARNING, TOP BOX, HPRi,	1	
MS-000070-GP	2.5A, FAST ACT 5X20, , , ,	1	F3
MS-000073-GP	FUSE, FAST, ACTING 5A, SMT, 1206,	2	F4, F5
MS-000292-GP	FUSE, 6.3A, 5 X 20MM, FAST,	1	F1
NW-000070-GP	M3, NUT, , , , ,	3	
NW-000072-GP	NUT, HEX, M4, , , , ,	1	
NW-040002-GP	SPRING WASHER M4 X 7	1	
NW-040003-GP	I/T WASHER M4X0.4X8, YZ	1	
PC-122001-00	PCB, MAIN, HPR122i, , , ,	1	
PC-122002-00	PCB, INPUT, HPR151i, , , ,	1	
PL-000066-GP	EVA GASKET, 5X500, , , ,	3	
PL-000152-GP	CABLE TIE, ISA	4	
PL-000327-GP	PAD, XFMR, EPDM 40A, 1/8" THK, BLACK,	2	
PL-000391-GP	KNOB, GAIN, HPR SERIES, , , ,	1	
PL-000454-GP	INSULATION SHEET IC, , , SILPAD 800, ,	4	
PL-000455-GP	LED HOLDER, LED3-11, , , , ,	3	LD301-1, LD302-1, LD303-1
PL-000456-GP	SPRINGSEAT, TRANSISTOR, HPR, NYLON, ,	4	
PL-000457-GP	SPACER, L=4.0, ELM 3, , , ,	1	U4
PL-000458-GP	SPONGE CUSHION, , , , , ,	2	
PT-110002-GP	TRIM, 100, 20 PCNT, 0.15W, , , ,	2	VR1, VR3
PT-250003-GP	VR 5K, XVB12111YNPVB25F, , , , ,	1	VR301
QD-000201-GP	DIODE LL4148 SM	15	D10, D11, D12, D20, D24, D25, D27, D30, D301, D302, D303, D304, D305, D38, D8
QD-000204-GP	XISTOR NPN 60V 200MA 3904 SOT-23	17	Q11, Q16, Q2, Q3, Q301, Q309, Q311, Q312, Q314, Q315, Q37, Q38, Q41, Q42, Q45, Q50, Q6
QD-000205-GP	XISTOR PNP 40V 0.2A TR3906 SOT-23	15	Q1, Q10, Q17, Q19, Q302, Q304, Q305, Q307, Q308, Q36, Q39, Q40, Q46, Q49, Q7
QD-000206-GP	DIOD RECT FAST, IN4934 AT	8	D1, D2, D32, D33, D34, D35, D4, D5
QD-000208-GP	XISTOR PNP 230V 15A 2SA1943	3	Q12, Q14, Q51
QD-000209-GP	XISTOR NPN 230V 15A 2SC5200	3	Q13, Q15, Q52

Part Number	Description	Qty	Ref Des
QD-000227-GP	BRIDGE RECT 400V 25A	2	BR1, BR2
QD-000260-GP	MOSFET, N-CH, 60V, 52A, 52N06V	2	Q21, Q22
QD-000300-GP	LED SC, 2.9 X 5.4 XL 0.5 BL, , , , ,	1	LD302
QD-000301-GP	LED, 3MM, GREEN SP, , , ,	1	LD303
QD-000302-GP	LED SP, 2.9 X 5.4 XL 0.5 RED, , , , ,	1	LD301
QD-000303-GP	DIODE, BAV21WS 250V, , , , ,	4	D3, D31, D6, D9
QD-000304-GP	DIODE, MUR810 RL 8A, , , , ,	2	D13, D15
QD-000305-GP	DZ 1/2W, 6.2VB RLZ6.2B, , , , SMT,	2	D14, D7
QD-000306-GP	DZ 1/2W, 7.5VB RLZ7.5B LL, , , , SMT,	1	D26
QD-000307-GP	SMD DIODE, ISR154-400, , , , ,	6	D16, D17, D18, D19, D36, D37
QD-000308-GP	TR MMBTA42 NPN SMD, , , , , SOT-23,	3	Q20, Q44, Q5
QD-000309-GP	TR 2SA1837, 100-320 RL, , , , ,	2	Q4, Q43
QD-000310-GP	TR 2SC4793, 100-320-RL, , , , ,	2	Q48, Q9
QD-000311-GP	TR MMBTA92 SOT 23 KEC, , , , ,	3	Q18, Q47, Q8
RE-01002-GP	0.1R, 5 PCNT, 2W, RMF, ATS METAL,	9	R115, R116, R117, R25, R26, R27, R28, R29, R30
RE-47006-GP	RMF, 1W, 4R7, 5%, AT,	2	R6, R88
RE-000003-GP	RMG 1/10W 0 OHM 5% 0805	12	R123, R125, R358, R370, R384, R392, R393, R403, R423, R430, R433, R434
RE-001009-GP	10 1% 1/8W THK FLM 1206	2	R337, R338
RE-001012-GP	100HM, 1/4W, 1%, AT, RMF,	2	R126, R127
RE-001013-GP	10, 1 PCNT, 1/10W, THICK FILM, 0805,	1	R128
RE-004753-GP	RMG 1/10W 47.5 OHM 1% 0805	8	R109, R110, R112, R113, R21, R22, R23, R24
RE-010011-GP	100 1% 1/10W THK FLM 0805 100V	13	R103, R104, R107, R108, R14, R15, R19, R20, R301, R302, R307, R317, R318
RE-018001-GP	180R, 1 PCNT, 1/10W, RMG, 0805,	2	R449, R8
RE-020003-GP	200 1% 1/10W THK FLM 0805 100V	1	R93
RE-040200-GP	402R, 1 PCNT, 1/10W, RMG, 0805,	1	R95
RE-047012-GP	470, 1 PCNT, 1/10W, THICK FILM, 0805,	1	R77
RE-063405-GP	634 OHMS 1% 1/10W 0805	1	R319
RE-078702-GP	787 1% 1/10W THICK FILM 0805	1	R440
RE-091002-GP	910R, 1 PCNT, 1/10W, RMG, 0805,	9	R100, R101, R105, R106, R11, R12, R17, R18, R9
RE-110013-GP	RMG 1/10W 1K 1% 0805	1	R334
RE-120004-GP	RMG 1/10W 2K 1% 0805	4	R343, R361, R396, R435
RE-122010-GP	2.2K 1% 1/10W THK FM 0805 100V	2	R102, R16
RE-124001-GP	2.4K, 1 PCNT, 1/10W, RMG, 0805,	4	R2, R35, R377, R81
RE-127001-GP	2.7K, 1 PCNT, 1/10W, RMG, 0805,	1	R313
RE-130006-GP	3K, 1 PCNT, 1/10W, THICK FILM, 0805,	1	R408
RE-130103-GP	RMG 1/10W 3.01K 1% 0805	1	R33
RE-133008-GP	3.3K, 1 PCNT, 1/10W, THICK FILM, 0805,	4	R335, R352, R394, R422
RE-139006-GP	3.9K, 1 PCNT, 1/10W, THICK FILM, 0805,	1	R431
RE-143202-GP	4.32K, 1 PCNT, 1/10W, RMG, 0805,	1	R316
RE-147002-GP	4.7K 1% 1/10W THK FLM 0805	9	R344, R39, R425, R443, R445, R56, R66, R79, R97
RE-147506-GP	4.75K, 1 PCNT, 1/10W, THICK FILM, 0805,	2	R328, R332
RE-151006-GP	5.1K, 1 PCNT, 1/10W, THICK FILM, 0805,	3	R321, R339, R451
RE-152302-GP	5.23K, 1 PCNT, 1/10W, THICK FILM, 0805,	1	R303
RE-156004-GP	5.6K, 1 PCNT, 1/10W, THICK FILM, 0805,	1	R411
RE-159003-GP	5.9K 1% 1/10W THK FLM 0805	2	R96, R98
RE-162001-GP	6.2K, 1 PCNT, 1/10W, RMG, 0805,	1	R383
RE-164901-GP	6.49K, 1 PCNT, 1/10W, RMG, 0805,	1	R48
RE-169802-GP	6.98K, 1 PCNT, 1/10W, THK FLM, 0805, 100V	1	R312
RE-175004-GP	7.5K 1% 1/10W THK FM 0805 100V	1	R351
RE-182007-GP	8.2K, 1 PCNT, 1/10W, THICK FILM, 0805,	1	R348
RE-210007-GP	10K 1% 1/10W THK FLM 0805	19	R1, R122, R3, R320, R329, R336, R342, R345, R357, R368, R372, R374, R407, R414, R442, R447, R7, R80, R85
RE-211305-GP	11.3K .1% 1/10W RMG 0805	4	R304, R305, R309, R310
RE-212003-GP	12K 1% 1/10W THK FLM 0805 100V	2	R333, R378
RE-212004-GP	12K, 1 PCNT, 1/8W, THICK FILM, 1206,	1	R448
RE-212105-GP	12.1K, 1 PCNT, 1/10W, RMG, 0805,	1	R340
RE-213005-GP	13K, 1 PCNT, 1/10W, RMG, 0805,	3	R36, R89, R90
RE-215003-GP	15K, 1 PCNT, 1/10W, RMG, 0805,	2	R413, R439
RE-215402-GP	15.4K, 1 PCNT, 1/10W, RMG, 0805,	2	R326, R330
RE-218006-GP	18K, 1 PCNT, 1/10W, THICK FILM, 0805,	5	R405, R417, R424, R441, R91
RE-218702-GP	18.7K, 1 PCNT, 1/10W, THICK FILM, 0805,	2	R308, R311
RE-220005-GP	RMG 1/10W 20K 1% 0805	1	R86
RE-220006-GP	20K, 1 PCNT, 1/10W, THICK FILM, 1206,	1	R38
RE-222001-GP	22K 1% 1/10W 0805	5	R314, R32, R34, R355, R37
RE-224001-GP	24.0K 1% 1/10W THK FLM 0805	3	R349, R415, R453
RE-227001-GP	27K 1% 1/10W 0805	1	R429
RE-230006-GP	30K, 1 PCNT, 1/10W, THICK FILM, 0805,	1	R4
RE-230104-GP	30.1K 1% 1/8W RMG 1206	3	R40, R5, R87
RE-230105-GP	30.1K, 1 PCNT, 1/10W, THICK FILM, 0805,	1	R53
RE-239204-GP	39.2K, 1 PCNT, 1/10W, THICK FILM, 0805,	3	R315, R325, R356
RE-247006-GP	47K 1% 1/10W THK FLM 0805 100V	3	R446, R69, R76
RE-268004-GP	68K, 1 PCNT, 1/10W, THICK FILM, 0805,	1	R359
RE-275005-GP	75K, 1 PCNT, 1/10W, RMG, ,	4	R363, R399, R438, R450
RE-291001-GP	91K, 1 PCNT, 1/10W, RMG, 0805,	1	R367
RE-310007-GP	100K 1% 1/10W THK FLM 0805	3	R306, R350, R409
RE-310008-GP	100K 1% 1/8W THK FLM 1206	5	R10, R31, R83, R92, R94
RE-312006-GP	120K 1% 1/10W RMG 0805	1	R386
RE-315006-GP	150K, 1 PCNT, 1/10W, THICK FILM, 0805,	1	R324
RE-320006-GP	200K, 1 PCNT, 1/10W, THICK FILM, 0805,	2	R322, R454
RE-349901-GP	499K 1% 1/8W THICK FILM 1206	1	R82
RE-410003-GP	1M 1% 1/10W RMG 0805	4	R13, R55, R84, R99
SC-000081-GP	T3X8MM, SELF TAPPING, , , ,	2	
SC-000082-GP	SCREW, BIND, HEAD, M3.2 X 8, , B-TITE,	6	
SC-000083-GP	SCREW, BIND, HEAD, M3.5 X 16, , B-TITE,	8	

Part Number	Description	Qty	Ref Des
SC-000084-GP	SCREW, BIND, SERRATED HEAD, M4X25, B-TITE,	4	
SC-000085-GP	SELF SCREW, 3X8, WITH, SERRATED HEAD, , ,	2	
SC-000086-GP	SCREW, M8X101.5, BZ, , , ,	1	
SC-030002-GP	M3 B-TITE FLAT-CS	2	
SC-030004-GP	M3 X 8 BLK MACHINE	6	
SC-040001-GP	SCREW M4-18 X 10MM, BLK ZN	2	
SW-000088-GP	ROCKER POWER SWITCH	1	
SW-000119-GP	CIRCUIT BREAKER, 3A, 230V, HPR,	1	
SW-000122-GP	SWITCH, 1P2T, ,	1	SW302
SW-000123-GP	SWITCH, 2P2T, ,	1	SW301
WC-000188-GP	SLEEVE, PVC, 5MM ID, BLK	0	
WC-000410-GP	UL1672, AWG#18, BROWN, , , , ,	0	
WC-000411-GP	UL1672, AWG#18, BLUE, , , , ,	0	
WC-000412-GP	GRND WIRE, UL1015 #14, , , , ,	1	
WC-000413-GP	WIRE-FLAT, 10P P1.5 #26, , , , ,	3	J303, J305B, J306
WC-000423-GP	SHRINKAGE TUBE, ID=6MM, UL, , , , ,	0	
XF-000296-GP	XFMR, POWER, , 50HZ, TOROIDAL, 500W, , HPR 2-WAY, 230V,	1	