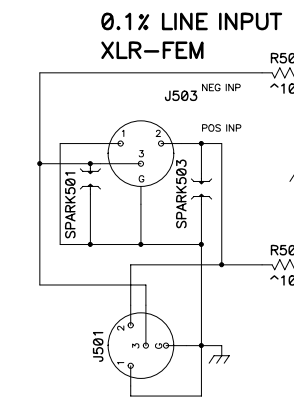
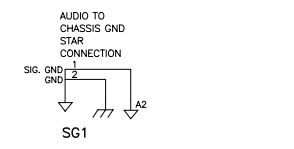
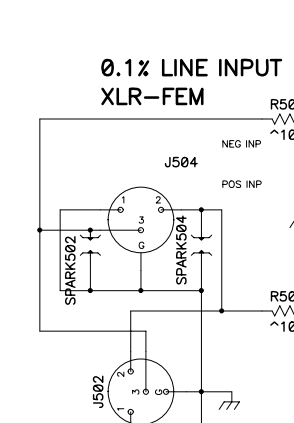


THIS DOCUMENT CONTAINS PROPRIETARY INFORMATION WHICH IS THE PROPERTY OF QSC AUDIO PRODUCTS, THAT MAY NOT BE DISCLOSED, REPRODUCED OR USED WITHOUT EXPRESS WRITTEN CONSENT FROM QSC AUDIO PRODUCTS.

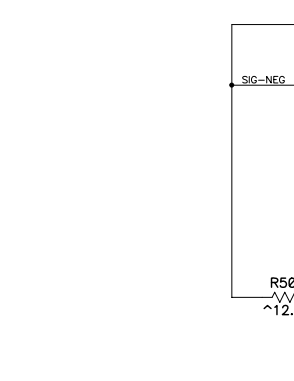


0.1% LINE INPUT XLR-FEM



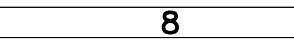
0.1% LINE INPUT XLR-FEM

LINE OUTPUT, XLR-MALE



4TH ORDER HP-40Hz

DUAL-4B



4TH ORDER HP-100Hz

DUAL-2

HI-PASS OUTPUT, XLR-MALE

SUMMED SIGNAL FOR SUBWOOFER

DUAL-1

LINE OUTPUT, XLR-MALE

HIGH PERFORMANCE BALANCED INPUTS 0.775V (+0dBu, 1Vp) FOR FULL POWER OUTPUT AT 12 O'CLOCK GAIN

ADD CHASSIS TIE

OP-AMP SUPPLIES

TO FRONT MOUNTED LED (SWITCHABLE)

SWITCH/LED PCB MOUNTS FROM INPUT PCB

PANEL-PWR

PANEL-SIG

CLIP-LIM LED

POLARITY SWITCH

POS

NEG

DUAL-4A

GAIN BUFFER AND LIMITER

LIMITER CONTROL PROCESSING

DUAL-5

SIGNAL-PRESENCE LED DRIVER

QUAD-7

LOW FREQ PROCESSING

ATTENUATOR

BUFFER

QUAD-8

4TH ORDER LP, 100Hz

DO NOT RENUMBER !! SEQUENCE STARTS, 501

SIZE D FSCM NO. SH-001515-00 DWG NO. SH-001515-00 REV B

SCALE NONE CAD FILE NO. SH-001515-B.SCH SHEET 2

8 7 6 5 4 3 2 1

D C B A

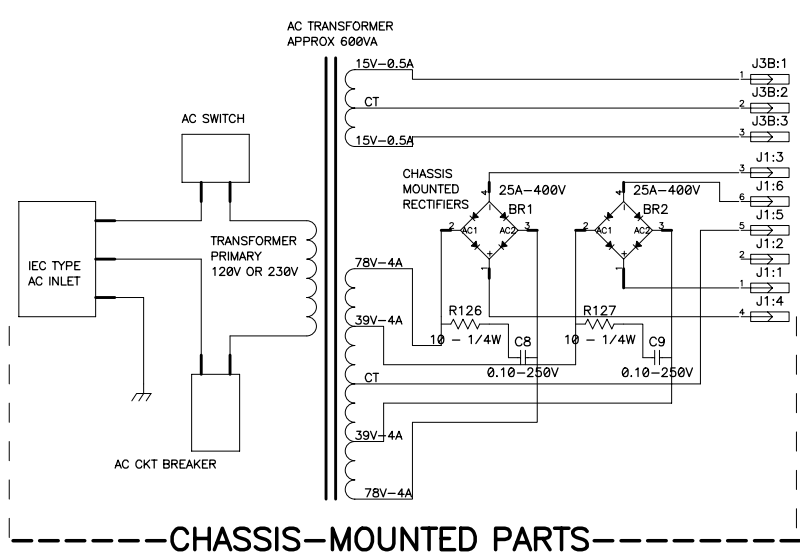
SH-001515-00

2 SH

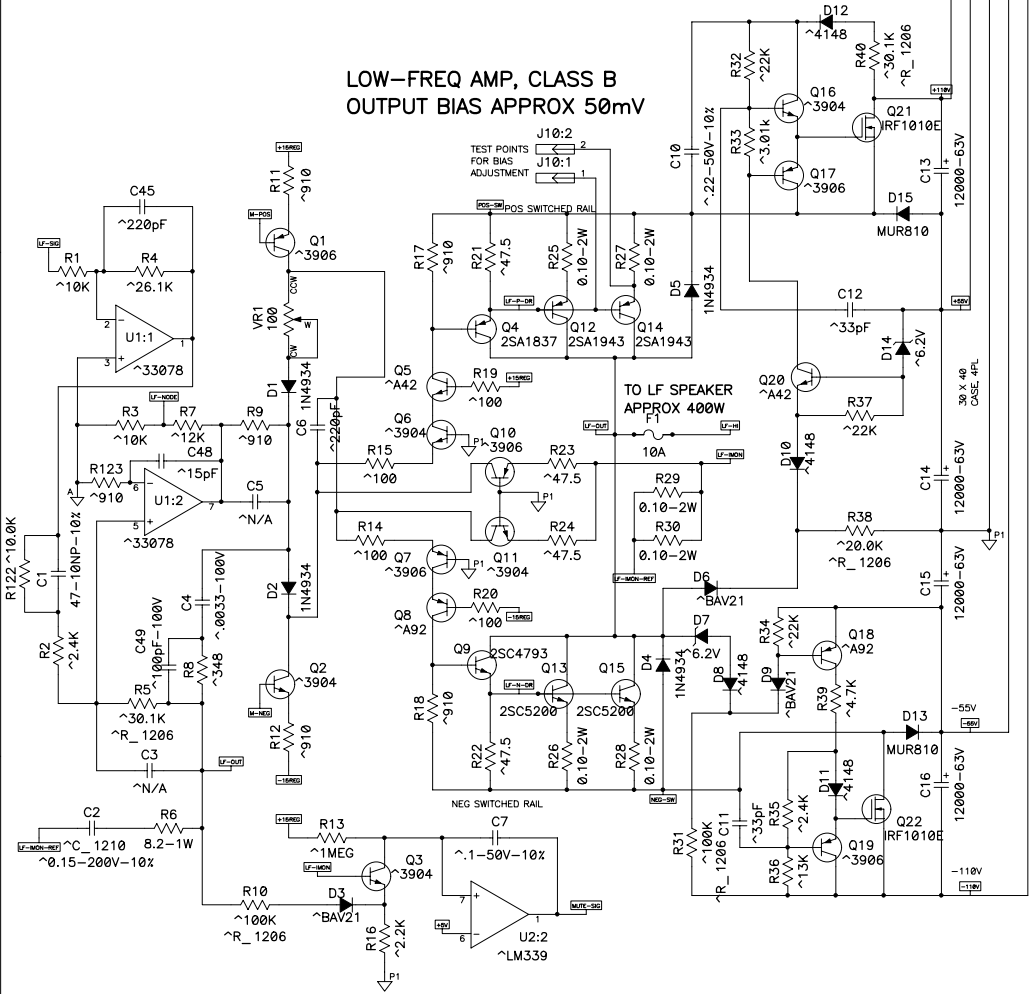
B REV

A

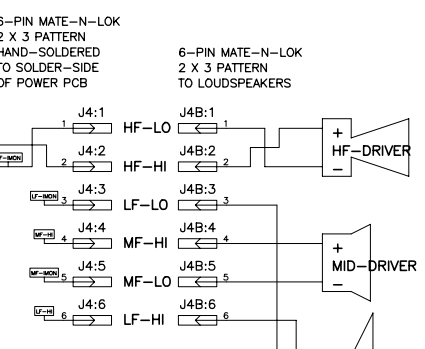
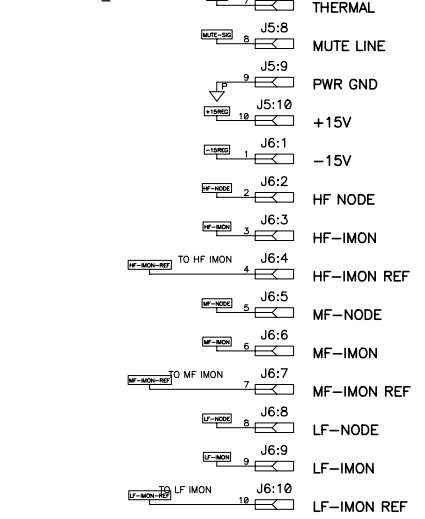
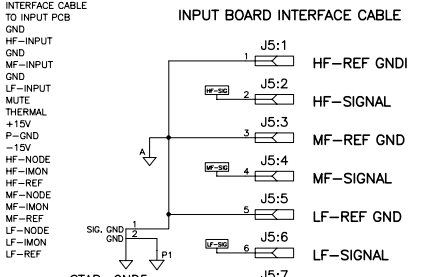
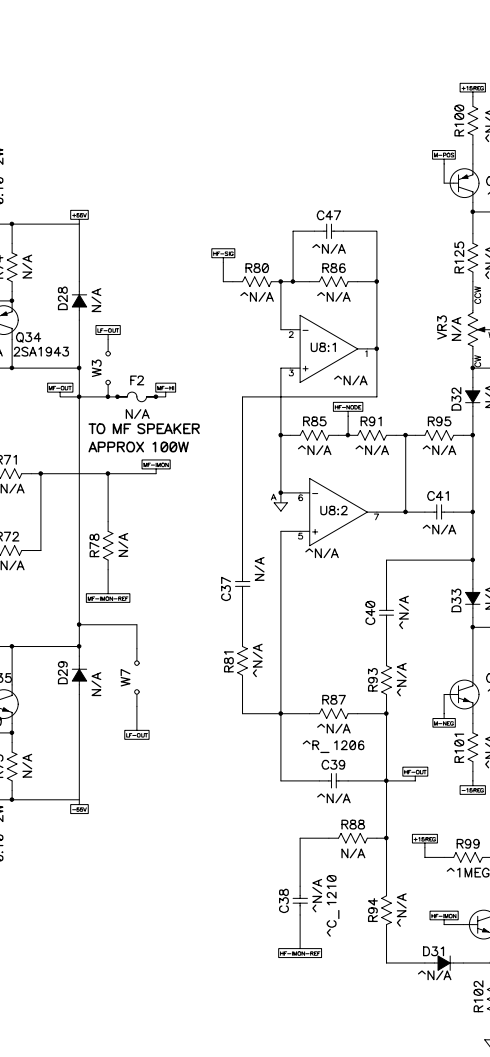
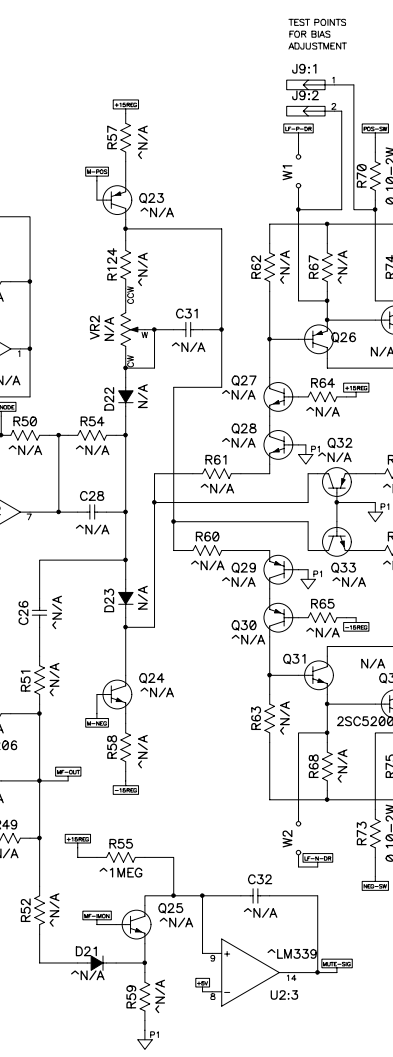
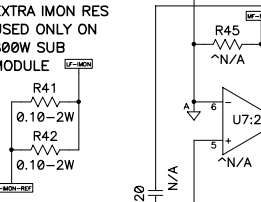
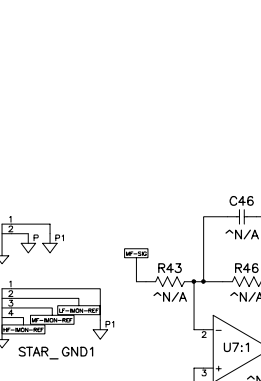
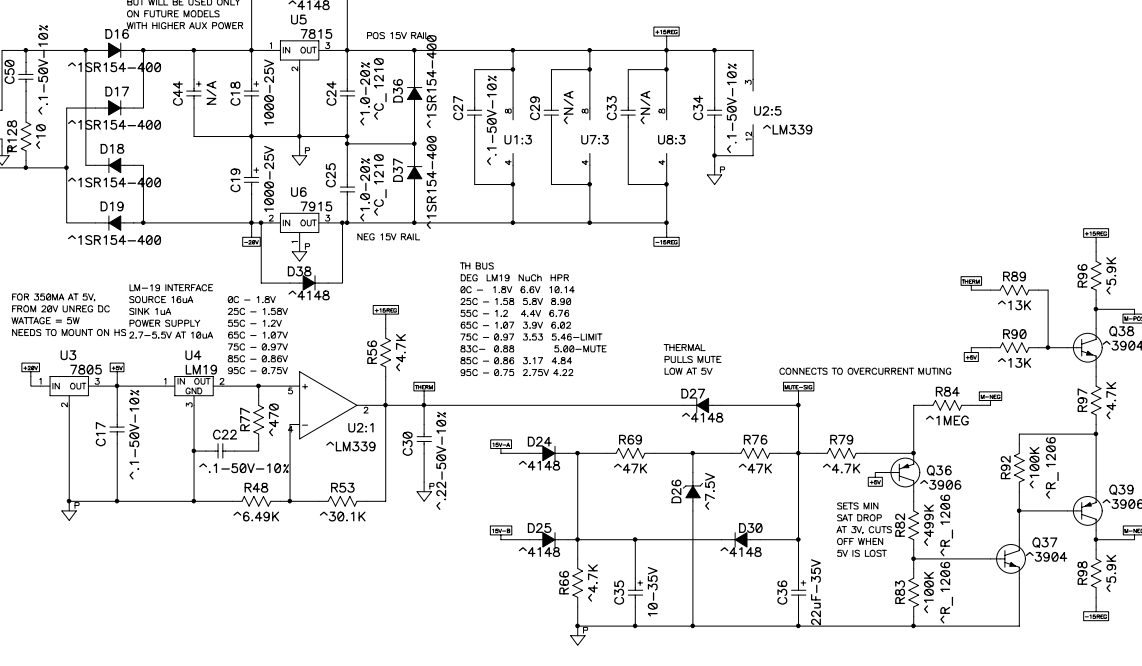
THIS DOCUMENT CONTAINS PROPRIETARY INFORMATION WHICH IS THE PROPERTY OF QSC AUDIO PRODUCTS, THAT MAY NOT BE DISCLOSED, REPRODUCED OR USED WITHOUT EXPRESS WRITTEN CONSENT FROM QSC AUDIO PRODUCTS.



**LOW-FREQ AMP, CLASS B
 OUTPUT BIAS APPROX 50mV**



RAIL CURRENT REQUIREMENTS:
 10 TL-872 OPAMP SECTIONS AT 2MA = 20MA
 5532 AT 10MA, PLUS DRIVE CURRENTS 18MA
 =40MA OR SO, AT APPROX 20V = 0.8W PER REGULATOR



CAPACITORS, VALUE INDICATES SURFACE MOUNT, 0805 UNLESS SHOWN
 DIODES AND TRANSISTORS, VALUE INDICATES SMT, SOT-23 PACKAGE
 IC'S, VALUE INDICATES SMT, MINI-DIP PACKAGE
 RESISTORS, VALUE INDICATES SURFACE MOUNT, 1X, 0805 UNLESS NOTED
 RESISTORS, VALUE INDICATES THRU-HOLE, WATTAGE AS MARKED, DIA LESS THAN 0.18 INCHES
 NOTES: UNLESS OTHERWISE SPECIFIED

DO NOT RENUMBER !!

**MODELS:
 HPR151W
 HPR181W**

QSC AUDIO PRODUCTS, INC.
 COSTA MESA, CALIFORNIA

HPR1X1W 1-CH AMPLIFIER

SIZE	FSCM NO.	DWG NO.	REV
D		SH-000943-00	7
SCALE	CAD FILE NO.	SHEET	1

SH-000943-00

Part Number	Description	Qty	Ref Des
CA-015005-GP	15PF, 5 PCNT, 50V, CERAMIC, 0805,	5	C48, C544, C545, C546, C547
CA-033003-GP	33PF, 5%, 50V, CC, 0805, 1.2X	2	C11, C12
CA-110005-GP	CC 50V 100PF 5% 0805 1.2	1	C548
CA-110007-GP	100P, 5%, 100V, CTC, 0805, 0/30	1	C49
CA-122005-GP	CC 50V 220PF 5% 0805	3	C45, C522, C6
CA-147006-GP	470PF 5% 50V CER NPO	4	C501, C502, C503, C504
CA-233009-GP	3300P, 5%, 100V, CTC, 1206, 0/30	1	C4
CA-368006-GP	.068UF, 5 PCNT, 50V, FILM, ,	1	C538
CA-410014-GP	0.1UF 10% 50V CER X7R 0805	15	C17, C22, C27, C34, C50, C523, C526, C528, C531, C532, C534, C535, C539, C540, C7
CA-410018-GP	CM 250V .1UF 5% RL	2	C8, C9
CA-410023-GP	0.1UF, 5%, 63V, CM, , RBT, 7.5X6	1	C533
CA-415006-GP	.15UF, 5 PCNT, 200V, CC, 1210,	1	C2
CA-422010-GP	0.22U, 10%, 50V, CC, 0805,	2	C10, C30
CA-422011-GP	0.22U, 5%, 63V, CM, , RBT, 7.5X	14	C505, C506, C507, C508, C509, C510, C511, C512, C513, C514, C515, C516, C529, C536
CA-510017-GP	1UF, 20 PCNT, 50V, CC, SMT, 1210	2	C24, C25
CA-610009-GP	CE 35V 10UF 20% RL 5 X 11	1	C35
CA-622010-GP	22UF, 20%, 35V, CE, , RLT, 5x11	1	C36
CA-647006-GP	CE 16NP 47UF 20% RL	4	C1, C520, C527, C537
CA-710013-GP	100U, 20%, 25V, CE, , 5X11, RLT	1	C530
CA-747009-GP	470UF, 20%, 16V, CE, , RLT	2	C542, C543
CA-810007-GP	1000UF, 20%, 25V, CE, , RLT	2	C18, C19
CA-912001-GP	12000UF, 20 PCNT, 63V, CE, RL, ,	4	C13, C14, C15, C16
CH-000173-GP	COVER, XFMR, STEEL, LARGE	1	
CH-000424-GP	PANEL-INPUT, BLACK 151, , HPR,	1	
CH-000425-GP	PANEL-LEFT (AC), BLACK, , HPR,	1	
CH-000489-GP	PLATE-SPRING STEEL, , , ,	5	
CH-000490-GP	HEATSINK, 381X189.2X38.1, , HPR,	1	
CO-000058-GP	XLR, CONNECTOR, 3PM, , ,	4	J501, J502, J505, J506
CO-000204-GP	CONN XLR F VERT PLASTIC	2	J503, J504
CO-000211-GP	AC INLET 250V 15A	1	
CO-000213-GP	CONN 2 PIN STRAIGHT WAFER	1	J509A
CO-000214-GP	CONN 3 PIN STRAIGHT WAFER	1	J3
CO-000281-GP	HDR 6.3MM CNTR 6P(2X3)MALE	2	J2, J4
CO-000349-GP	WIRE HOLDER, RIBBON CABLE, 10 POS, FEMALE,	3	J507, J508B, J510
CO-000350-GP	WIRE TRAP, RIBBON CABLE, 10 POS, FEMALE, RELEASEABLE	3	J5, J508A, J6
HW-000075-GP	FUSE HOLDER, , , , ,	2	F1
HW-000102-GP	BRASS POST, D6X10, , , ,	3	
HW-000103-GP	BRASS POST, D6X8, , , ,	4	
IC-000075-GP	IC VOLTAGE REG, +5, LM78L05, SMT,	1	U509
IC-000076-GP	IC LM339, SMD COMPARATORS, , ,	1	U2
IC-000077-GP	IC LM13700M, , , SMT,	1	U506
IC-000078-GP	IC LM19, THERMAL SENSOR, , TO-92,	1	U4
IC-000079-GP	IC MC33078, OP-AMP, , SMT,	2	U1, U502
IC-000377-GP	IC 7805, REGULATOR, 5V, , ,	1	U3
IC-000378-GP	IC LM7915CT, REGULATOR, -15V, ,	1	U6
IC-000379-GP	IC LM7815CT, REGULATOR, 15V, ,	1	U5
IC-000380-GP	IC TL072, OPAMP, DUAL, SO-8,	4	U501, U504, U505, U508
IC-000381-GP	IC TL074CD-SO14, OPAMP, QUAD, SO-14,	2	U503, U507
LB-000530-GP	PC INLAY, WARNING LABEL, , ,	1	
MS-000073-GP	FUSE, FAST, ACTING 5A, SMT, 1206,	2	F4, F5
MS-000293-GP	10A FUSE, QUICK-ACTING, , ,	1	F1
NW-000002-GP	SPRING WASHER, 3M, , , , , , ,	4	
NW-000069-GP	SPRING WASHER, M4X1X7, BZ, ,	2	
NW-000070-GP	M3, NUT, , , ,	7	
NW-000071-GP	M4, NUT, , BLACK, ,	2	
NW-000072-GP	NUT, HEX, M4, ,	1	
NW-000073-GP	FLAT WASHER, M4X0.8X9.7, , ,	4	
NW-040002-GP	SPRING WASHER M4 X 7	1	
NW-040003-GP	I/T WASHER M4X0.4X8, YZ	1	
PC-001515-00	PCB, INPUT, HPR, , SUBWOOFER	1	
PC-001534-00	PCB MAIN, HPR, ,	1	
PL-000066-GP	EVA GASKET, 5X500, , , ,	3	
PL-000152-GP	CABLE TIE, ISA	4	
PL-000327-GP	PAD, XFMR, EPDM 40A, 1/8" THK, BLACK,	2	
PL-000391-GP	KNOB, GAIN, HPR SERIES, , ,	1	
PL-000454-GP	INSULATION SHEET IC, , , SILPAD 800, ,	5	
PL-000455-GP	LED HOLDER, LED3-11, , , ,	3	LD501-1, LD502-1, LD503-1
PL-000456-GP	SPRINGSEAT, TRANSISTOR, HPR, NYLON, ,	5	
PL-000457-GP	SPACER, L=4.0, ELM 3, , ,	1	U4
PL-000458-GP	SPONGE CUSHION, , , , ,	2	
PT-110002-GP	TRIM, 100, 20 PCNT, 0.15W, ,	1	VR1
PT-250003-GP	VR 5K, XVB12111YNPVB25F, , , ,	1	VR501

Part Number	Description	Qty	Ref Des
QD-000201-GP	DIODE LL4148 SM	19	D10, D11, D12, D20, D24, D25, D27, D30, D38, D501, D502, D503, D504, D505, D506, D507, D508, D509, D8
QD-000204-GP	XISTOR NPN 60V 200MA 3904 SOT-23	11	Q11, Q16, Q2, Q3, Q37, Q38, Q503, Q504, Q505, Q507, Q6
QD-000205-GP	XISTOR PNP 40V 0.2A TR3906 SOT-23	10	Q1, Q10, Q17, Q19, Q36, Q39, Q501, Q502, Q506, Q7
QD-000206-GP	DIOD RECT FAST, IN4934 AT	4	D1, D2, D4, D5
QD-000208-GP	XISTOR PNP 230V 15A 2SA1943	4	Q12, Q14, Q34, Q51
QD-000209-GP	XISTOR NPN 230V 15A 2SC5200	4	Q13, Q15, Q35, Q52
QD-000227-GP	BRIDGE RECT 400V 25A	2	BR1, BR2
QD-000260-GP	MOSFET, N-CH, 60V, 52A, 52N06V	2	Q21, Q22
QD-000300-GP	LED SC, 2.9 X 5.4 XL 0.5 BL, , , , ,	1	LD502
QD-000301-GP	LED, 3MM, GREEN SP, , , ,	1	LD503
QD-000302-GP	LED SP, 2.9 X 5.4 XL 0.5 RED, , , , ,	1	LD501
QD-000303-GP	DIODE, BAV21WS 250V, , , , ,	3	D3, D6, D9
QD-000304-GP	DIODE, MUR810 RL 8A, , , , ,	2	D13, D15
QD-000305-GP	DZ 1/2W, 6.2VB RLZ6.2B, , , , SMT,	2	D14, D7
QD-000306-GP	DZ 1/2W, 7.5VB RLZ7.5B LL, , , , SMT,	1	D26
QD-000307-GP	SMD DIODE, ISR154-400, , , , ,	6	D16, D17, D18, D19, D36, D37
QD-000308-GP	TR MMBTA42 NPN SMD, , , , , SOT-23,	2	Q20, Q5
QD-000309-GP	TR 2SA1837, 100-320 RL, , , , ,	1	Q4
QD-000310-GP	TR 2SC4793, 100-320-RL, , , , ,	1	Q9
QD-000311-GP	TR MMBTA92 SOT 23 KEC, , , , , ,	2	Q18, Q8
RE-01002-GP	0.1R, 5 PCNT, 2W, RMF, ATS METAL,	12	R111, R114, R25, R26, R27, R28, R29, R30, R41, R42, R70, R73
RE-.82001-GP	8.2 OHM, 1W, 5 PCNT, AT, RMF,	1	R6
RE-000003-GP	RMG 1/10W 0 OHM 5% 0805	4	R539, R544, R545, R564
RE-001009-GP	10 1% 1/8W THK FLM 1206	2	R584, R585
RE-001012-GP	100HM, 1/4W, 1%, AT, RMF,	2	R126, R127
RE-001013-GP	10, 1 PCNT, 1/10W, THICK FILM, 0805,	1	R128
RE-004753-GP	RMG 1/10W 47.5 OHM 1% 0805	4	R21, R22, R23, R24
RE-010011-GP	100 1% 1/10W THK FLM 0805 100V	13	R14, R15, R19, R20, R502, R503, R504, R505, R537, R538, R558, R559, R576
RE-015008-GP	150, 1 PCNT, 1/10W, THICK FILM, 0805,	1	R587
RE-033001-GP	330 OHM, 1 PCNT, 1/10W, RMG, 0805,	2	R531, R532
RE-034801-GP	348R, 1 PCNT, 1/10W, RMG, 0805,	1	R8
RE-047012-GP	470, 1 PCNT, 1/10W, THICK FILM, 0805,	1	R77
RE-063405-GP	634 OHMS 1% 1/10W 0805	1	R567
RE-091002-GP	910R, 1 PCNT, 1/10W, RMG, 0805,	6	R11, R12, R123, R17, R18, R9
RE-111801-GP	1.18K, 1 PCNT, 1/10W, RMG, 0805,	2	R575, R578
RE-112001-GP	RMG 1/10W 1.2K 1% 0805	3	R510, R516, R517
RE-115008-GP	1.5K, 1 PCNT, 1/10W, THK FLM, 0805, 100V	1	R543
RE-120004-GP	RMG 1/10W 2K 1% 0805	1	R566
RE-122010-GP	2.2K 1% 1/10W THK FM 0805 100V	1	R16
RE-124001-GP	2.4K, 1 PCNT, 1/10W, RMG, 0805,	2	R2, R35
RE-130103-GP	RMG 1/10W 3.01K 1% 0805	1	R33
RE-133008-GP	3.3K, 1 PCNT, 1/10W, THICK FILM, 0805,	1	R525
RE-143202-GP	4.32K, 1 PCNT, 1/10W, RMG, 0805,	1	R557
RE-145303-GP	4.53K, 1 PCNT, 1/10W, RMG, 0805,	1	R579
RE-147002-GP	4.7K 1% 1/10W THK FLM 0805	5	R39, R56, R66, R79, R97
RE-151006-GP	5.1K, 1 PCNT, 1/10W, THICK FILM, 0805,	5	R522, R523, R528, R529, R589
RE-152302-GP	5.23K, 1 PCNT, 1/10W, THICK FILM, 0805,	1	R573
RE-159003-GP	5.9K 1% 1/10W THK FLM 0805	2	R96, R98
RE-162001-GP	6.2K, 1 PCNT, 1/10W, RMG, 0805,	1	R577
RE-164901-GP	6.49K, 1 PCNT, 1/10W, RMG, 0805,	1	R48
RE-169802-GP	6.98K, 1 PCNT, 1/10W, THK FLM, 0805, 100V	1	R546
RE-182007-GP	8.2K, 1 PCNT, 1/10W, THICK FILM, 0805,	1	R565
RE-210007-GP	10K 1% 1/10W THK FLM 0805	13	R1, R122, R3, R520, R521, R526, R527, R533, R549, R550, R553, R572, R582
RE-211305-GP	11.3K .1% 1/10W RMG 0805	8	R506, R507, R508, R509, R512, R513, R514, R515
RE-212003-GP	12K 1% 1/10W THK FLM 0805 100V	1	R7
RE-212004-GP	12K, 1 PCNT, 1/8W, THICK FILM, 1206,	1	R586
RE-212703-GP	12.7K, 1 PCNT, 1/10W, THICK FILM, 0805,	2	R501, R511
RE-213005-GP	13K, 1 PCNT, 1/10W, RMG, 0805,	3	R36, R89, R90
RE-215003-GP	15K, 1 PCNT, 1/10W, RMG, 0805,	3	R518, R568, R580
RE-218006-GP	18K, 1 PCNT, 1/10W, THICK FILM, 0805,	1	R519
RE-218701-GP	OBS-18.7K, 1 PCNT, 1/10W, RMG, 0805,	2	R547, R548
RE-220006-GP	20K, 1 PCNT, 1/10W, THICK FILM, 1206,	1	R38
RE-222001-GP	22K 1% 1/10W 0805	3	R32, R34, R37
RE-226101-GP	26.1K, 1 PCNT, 1/10W, RMG, 0805,	1	R4
RE-230104-GP	30.1K 1% 1/8W RMG 1206	2	R40, R5
RE-230105-GP	30.1K, 1 PCNT, 1/10W, THICK FILM, 0805,	1	R53
RE-239204-GP	39.2K, 1 PCNT, 1/10W, THICK FILM, 0805,	3	R555, R570, R581
RE-247006-GP	47K 1% 1/10W THK FLM 0805 100V	4	R541, R571, R69, R76
RE-268003-GP	RMG 1/8W 68K 1% 1206	1	R524
RE-291001-GP	91K, 1 PCNT, 1/10W, RMG, 0805,	1	R583
RE-310007-GP	100K 1% 1/10W THK FLM 0805	2	R569, R574
RE-310008-GP	100K 1% 1/8W THK FLM 1206	4	R10, R31, R83, R92

Part Number	Description	Qty	Ref Des
RE-315006-GP	150K, 1 PCNT, 1/10W, THICK FILM, 0805,	1	R554
RE-349901-GP	499K 1% 1/8W THICK FILM 1206	1	R82
RE-410003-GP	1M 1% 1/10W RMG 0805	4	R13, R55, R84, R99
SC-000079-GP	SCREW, MACH, M4X19, , , BLACK, ZN	2	
SC-000081-GP	T3X8MM, SELF TAPPING, , , ,	6	
SC-000082-GP	SCREW, BIND, HEAD, M3.2 X 8, , B-TITE,	6	
SC-000083-GP	SCREW, BIND, HEAD, M3.5 X 16, , B-TITE,	10	
SC-000084-GP	SCREW, BIND, SERRATED HEAD, M4X25, B-TITE,	4	
SC-000085-GP	SELF SCREW, 3X8, WITH, SERRATED HEAD, , ,	6	
SC-000086-GP	SCREW, M8X101.5, BZ, , , ,	1	
SC-030002-GP	M3 B-TITE FLAT-CS	2	
SC-030004-GP	M3 X 8 BLK MACHINE	5	
SC-030008-GP	SCREW M3X6 BLK TAP	4	
SW-000088-GP	ROCKER POWER SWITCH	1	
SW-000093-GP	CIRCUIT BREAKER, 5 AMP, ,	1	
SW-000122-GP	SWITCH, 1P2T, ,	1	SW502
SW-000123-GP	SWITCH, 2P2T, ,	1	SW501
WC-0.6023-GP	0.6 JUMPER 23AWG	1	C519
WC-000188-GP	SLEEVE, PVC, 5MM ID, BLK	0	
WC-000339-GP	JUMPER, BARE, 18GA, SOLID, HPR, ,	8	W1, W2, W3, W4, W5, W6, W7, W8
WC-000410-GP	UL1672, AWG#18, BROWN, , , , ,	0	
WC-000411-GP	UL1672, AWG#18, BLUE, , , , ,	0	
WC-000412-GP	GRND WIRE, UL1015 #14, , , , ,	1	
WC-000413-GP	WIRE-FLAT, 10P P1.5 #26, , , , ,	3	J507, J508B, J510
WC-000423-GP	SHRINKAGE TUBE, ID=6MM, UL, , , , ,	0	
XF-000293-GP	POWER TRANSFORMER, 120V, , , , HPR SERIES, ,	1	

Part Number	Description	Qty	Ref Des
CA-015005-GP	15PF, 5 PCNT, 50V, CERAMIC, 0805,	5	C48, C544, C545, C546, C547
CA-033003-GP	33PF, 5%, 50V, CC, 0805, 1.2X	2	C11, C12
CA-110005-GP	CC 50V 100PF 5% 0805 1.2	1	C548
CA-110007-GP	100P, 5%, 100V, CTC, 0805, 0/30	1	C49
CA-122005-GP	CC 50V 220PF 5% 0805	3	C45, C522, C6
CA-147006-GP	470PF 5% 50V CER NPO	4	C501, C502, C503, C504
CA-233009-GP	3300P, 5%, 100V, CTC, 1206, 0/30	1	C4
CA-368006-GP	.068UF, 5 PCNT, 50V, FILM, ,	1	C538
CA-410014-GP	0.1UF 10% 50V CER X7R 0805	15	C17, C22, C27, C34, C50, C523, C526, C528, C531, C532, C534, C535, C539, C540, C7
CA-410018-GP	CM 250V .1UF 5% RL	2	C8, C9
CA-410023-GP	0.1UF, 5%, 63V, CM, , RBT, 7.5X6	1	C533
CA-415006-GP	.15UF, 5 PCNT, 200V, CC, 1210,	1	C2
CA-422010-GP	0.22U, 10%, 50V, CC, 0805,	2	C10, C30
CA-422011-GP	0.22U, 5%, 63V, CM, , RBT, 7.5X	14	C505, C506, C507, C508, C509, C510, C511, C512, C513, C514, C515, C516, C529, C536
CA-510017-GP	1UF, 20 PCNT, 50V, CC, SMT, 1210	2	C24, C25
CA-610009-GP	CE 35V 10UF 20% RL 5 X 11	1	C35
CA-622010-GP	22UF, 20%, 35V, CE, , RLT, 5x11	1	C36
CA-647006-GP	CE 16NP 47UF 20% RL	4	C1, C520, C527, C537
CA-710013-GP	100U, 20%, 25V, CE, , 5X11, RLT	1	C530
CA-747009-GP	470UF, 20%, 16V, CE, , RLT	2	C542, C543
CA-810007-GP	1000UF, 20%, 25V, CE, , RLT	2	C18, C19
CA-912001-GP	12000UF, 20 PCNT, 63V, CE, RL, ,	4	C13, C14, C15, C16
CH-000173-GP	COVER, XFMR, STEEL, LARGE	1	
CH-000424-GP	PANEL-INPUT, BLACK 151, , HPR,	1	
CH-000425-GP	PANEL-LEFT (AC), BLACK, , HPR,	1	
CH-000489-GP	PLATE-SPRING STEEL, , , ,	5	
CH-000490-GP	HEATSINK, 381X189.2X38.1, , HPR,	1	
CO-000058-GP	XLR, CONNECTOR, 3PM, , ,	4	J501, J502, J505, J506
CO-000204-GP	CONN XLR F VERT PLASTIC	2	J503, J504
CO-000211-GP	AC INLET 250V 15A	1	
CO-000213-GP	CONN 2 PIN STRAIGHT WAFER	1	J509A
CO-000214-GP	CONN 3 PIN STRAIGHT WAFER	1	J3
CO-000281-GP	HDR 6.3MM CNTR 6P(2X3)MALE	2	J2, J4
CO-000349-GP	WIRE HOLDER, RIBBON CABLE, 10 POS, FEMALE,	3	J507, J508B, J510
CO-000350-GP	WIRE TRAP, RIBBON CABLE, 10 POS, FEMALE, RELEASEABLE	3	J5, J508A, J6
HW-000075-GP	FUSE HOLDER, , , , ,	2	F1
HW-000102-GP	BRASS POST, D6X10, , , ,	3	
HW-000103-GP	BRASS POST, D6X8, , , , ,	4	
IC-000075-GP	IC VOLTAGE REG, +5, LM78L05, SMT,	1	U509
IC-000076-GP	IC LM339, SMD COMPARATORS, , ,	1	U2
IC-000077-GP	IC LM13700M, , , SMT,	1	U506
IC-000078-GP	IC LM19, THERMAL SENSOR, , TO-92,	1	U4
IC-000079-GP	IC MC33078, OP-AMP, , SMT,	2	U1, U502
IC-000377-GP	IC 7805, REGULATOR, 5V, ,	1	U3
IC-000378-GP	IC LM7915CT, REGULATOR, -15V, ,	1	U6
IC-000379-GP	IC LM7815CT, REGULATOR, 15V, ,	1	U5
IC-000380-GP	IC TL072, OPAMP, DUAL, SO-8,	4	U501, U504, U505, U508
IC-000381-GP	IC TL074CD-SO14, OPAMP, QUAD, SO-14,	2	U503, U507
LB-000530-GP	PC INLAY, WARNING LABEL, , ,	1	
MS-000073-GP	FUSE, FAST, ACTING 5A, SMT, 1206,	2	F4, F5
MS-000293-GP	10A FUSE, QUICK-ACTING, , , ,	1	F1
NW-000002-GP	SPRING WASHER, 3M, , , , , , ,	4	
NW-000069-GP	SPRING WASHER, M4X1X7, BZ, ,	2	
NW-000070-GP	M3, NUT, , , , ,	7	
NW-000071-GP	M4, NUT, , BLACK, ,	2	
NW-000072-GP	NUT, HEX, M4, ,	1	
NW-000073-GP	FLAT WASHER, M4X0.8X9.7, , ,	4	
NW-040002-GP	SPRING WASHER M4 X 7	1	
NW-040003-GP	I/T WASHER M4X0.4X8, YZ	1	
PC-001515-00	PCB, INPUT, HPR, , SUBWOOFER	1	
PC-001534-00	PCB MAIN, HPR, ,	1	
PL-000066-GP	EVA GASKET, 5X500, , , ,	3	
PL-000152-GP	CABLE TIE, ISA	4	
PL-000327-GP	PAD, XFMR, EPDM 40A, 1/8" THK, BLACK,	2	
PL-000391-GP	KNOB, GAIN, HPR SERIES, , ,	1	
PL-000454-GP	INSULATION SHEET IC, , , SILPAD 800, ,	5	
PL-000455-GP	LED HOLDER, LED3-11, , , , ,	3	LD501-1, LD502-1, LD503-1
PL-000456-GP	SPRINGSEAT, TRANSISTOR, HPR, NYLON, ,	5	
PL-000457-GP	SPACER, L=4.0, ELM 3, , ,	1	U4
PL-000458-GP	SPONGE CUSHION, , , , ,	2	
PT-110002-GP	TRIM, 100, 20 PCNT, 0.15W, ,	1	VR1
PT-250003-GP	VR 5K, XVB12111NYPVB25F, , , ,	1	VR501
QD-000201-GP	DIODE LL4148 SM	19	D10, D11, D12, D20, D24, D25, D27, D30, D38, D501, D502, D503, D504, D505, D506, D507, D508, D509, D8
QD-000204-GP	XISTOR NPN 60V 200MA 3904 SOT-23	11	Q11, Q16, Q2, Q3, Q37, Q38, Q503, Q504, Q505, Q507, Q6
QD-000205-GP	XISTOR PNP 40V 0.2A TR3906 SOT-23	10	Q1, Q10, Q17, Q19, Q36, Q39, Q501, Q502, Q506, Q7
QD-000206-GP	DIOD RECT FAST, IN4934 AT	4	D1, D2, D4, D5
QD-000208-GP	XISTOR PNP 230V 15A 2SA1943	4	Q12, Q14, Q34, Q51
QD-000209-GP	XISTOR NPN 230V 15A 2SC5200	4	Q13, Q15, Q35, Q52

Part Number	Description	Qty	Ref Des
QD-000227-GP	BRIDGE RECT 400V 25A	2	BR1, BR2
QD-000260-GP	MOSFET, N-CH, 60V, 52A, 52N06V	2	Q21, Q22
QD-000300-GP	LED SC, 2.9 X 5.4 XL 0.5 BL, , , , ,	1	LD503
QD-000301-GP	LED, 3MM, GREEN SP, , , ,	1	LD502
QD-000302-GP	LED SP, 2.9 X 5.4 XL 0.5 RED, , , , ,	1	LD501
QD-000303-GP	DIODE, BAV21WS 250V, , , , ,	3	D3, D6, D9
QD-000304-GP	DIODE, MUR810 RL 8A, , , , ,	2	D13, D15
QD-000305-GP	DZ 1/2W, 6.2VB RLZ6.2B, , , , SMT,	2	D14, D7
QD-000306-GP	DZ 1/2W, 7.5VB RLZ7.5B LL, , , , SMT,	1	D26
QD-000307-GP	SMD DIODE, ISR154-400, , , , ,	6	D16, D17, D18, D19, D36, D37
QD-000308-GP	TR MMBTA42 NPN SMD, , , , , SOT-23,	2	Q20, Q5
QD-000309-GP	TR 2SA1837, 100-320 RL, , , , ,	1	Q4
QD-000310-GP	TR 2SC4793, 100-320-RL, , , , ,	1	Q9
QD-000311-GP	TR MMBTA92 SOT 23 KEC, , , , ,	2	Q18, Q8
RE-.01002-GP	0.1R, 5 PCNT, 2W, RMF, ATS METAL,	12	R111, R114, R25, R26, R27, R28, R29, R30, R41, R42, R70, R73
RE-.82001-GP	8.2 OHM, 1W, 5 PCNT, AT, RMF,	1	R6
RE-000003-GP	RMG 1/10W 0 OHM 5% 0805	4	R539, R544, R545, R564
RE-001009-GP	10 1% 1/8W THK FLM 1206	2	R584, R585
RE-001012-GP	100OHM, 1/4W, 1%, AT, RMF,	2	R126, R127
RE-001013-GP	10, 1 PCNT, 1/10W, THICK FILM, 0805,	1	R128
RE-004753-GP	RMG 1/10W 47.5 OHM 1% 0805	4	R21, R22, R23, R24
RE-010011-GP	100 1% 1/10W THK FLM 0805 100V	13	R14, R15, R19, R20, R502, R503, R504, R505, R537, R538, R558, R559, R576
RE-015008-GP	150, 1 PCNT, 1/10W, THICK FILM, 0805,	1	R587
RE-033001-GP	330 OHM, 1 PCNT, 1/10W, RMG, 0805,	2	R531, R532
RE-034801-GP	348R, 1 PCNT, 1/10W, RMG, 0805,	1	R8
RE-047012-GP	470, 1 PCNT, 1/10W, THICK FILM, 0805,	1	R77
RE-063405-GP	634 OHMS 1% 1/10W 0805	1	R567
RE-091002-GP	910R, 1 PCNT, 1/10W, RMG, 0805,	6	R11, R12, R123, R17, R18, R9
RE-111801-GP	1.18K, 1 PCNT, 1/10W, RMG, 0805,	2	R575, R578
RE-112001-GP	RMG 1/10W 1.2K 1% 0805	3	R510, R516, R517
RE-115008-GP	1.5K, 1 PCNT, 1/10W, THK FLM, 0805, 100V	1	R543
RE-120004-GP	RMG 1/10W 2K 1% 0805	1	R566
RE-122010-GP	2.2K 1% 1/10W THK FM 0805 100V	1	R16
RE-124001-GP	2.4K, 1 PCNT, 1/10W, RMG, 0805,	2	R2, R35
RE-130103-GP	RMG 1/10W 3.01K 1% 0805	1	R33
RE-133008-GP	3.3K, 1 PCNT, 1/10W, THICK FILM, 0805,	1	R525
RE-143202-GP	4.32K, 1 PCNT, 1/10W, RMG, 0805,	1	R557
RE-145303-GP	4.53K, 1 PCNT, 1/10W, RMG, 0805,	1	R579
RE-147002-GP	4.7K 1% 1/10W THK FLM 0805	5	R39, R56, R66, R79, R97
RE-151006-GP	5.1K, 1 PCNT, 1/10W, THICK FILM, 0805,	5	R522, R523, R528, R529, R589
RE-152302-GP	5.23K, 1 PCNT, 1/10W, THICK FILM, 0805,	1	R573
RE-159003-GP	5.9K 1% 1/10W THK FLM 0805	2	R96, R98
RE-162001-GP	6.2K, 1 PCNT, 1/10W, RMG, 0805,	1	R577
RE-164901-GP	6.49K, 1 PCNT, 1/10W, RMG, 0805,	1	R48
RE-169802-GP	6.98K, 1 PCNT, 1/10W, THK FLM, 0805, 100V	1	R546
RE-182007-GP	8.2K, 1 PCNT, 1/10W, THICK FILM, 0805,	1	R565
RE-210007-GP	10K 1% 1/10W THK FLM 0805	13	R1, R122, R3, R520, R521, R526, R527, R533, R549, R550, R553, R572, R582
RE-211305-GP	11.3K .1% 1/10W RMG 0805	8	R506, R507, R508, R509, R512, R513, R514, R515
RE-212003-GP	12K 1% 1/10W THK FLM 0805 100V	1	R7
RE-212004-GP	12K, 1 PCNT, 1/8W, THICK FILM, 1206,	1	R586
RE-212703-GP	12.7K, 1 PCNT, 1/10W, THICK FILM, 0805,	2	R501, R511
RE-213005-GP	13K, 1 PCNT, 1/10W, RMG, 0805,	3	R36, R89, R90
RE-215003-GP	15K, 1 PCNT, 1/10W, RMG, 0805,	3	R518, R568, R580
RE-218006-GP	18K, 1 PCNT, 1/10W, THICK FILM, 0805,	1	R519
RE-218701-GP	OBS-18.7K, 1 PCNT, 1/10W, RMG, 0805,	2	R547, R548
RE-220006-GP	20K, 1 PCNT, 1/10W, THICK FILM, 1206,	1	R38
RE-222001-GP	22K 1% 1/10W 0805	3	R32, R34, R37
RE-226101-GP	26.1K, 1 PCNT, 1/10W, RMG, 0805,	1	R4
RE-230104-GP	30.1K 1% 1/8W RMG 1206	2	R40, R5
RE-230105-GP	30.1K, 1 PCNT, 1/10W, THICK FILM, 0805,	1	R53
RE-239204-GP	39.2K, 1 PCNT, 1/10W, THICK FILM, 0805,	3	R555, R570, R581
RE-247006-GP	47K 1% 1/10W THK FLM 0805 100V	4	R541, R571, R69, R76
RE-268003-GP	RMG 1/8W 68K 1% 1206	1	R524
RE-291001-GP	91K, 1 PCNT, 1/10W, RMG, 0805,	1	R583
RE-310007-GP	100K 1% 1/10W THK FLM 0805	2	R569, R574
RE-310008-GP	100K 1% 1/8W THK FLM 1206	4	R10, R31, R83, R92
RE-315006-GP	150K, 1 PCNT, 1/10W, THICK FILM, 0805,	1	R554
RE-349901-GP	499K 1% 1/8W THICK FILM 1206	1	R82
RE-410003-GP	1M 1% 1/10W RMG 0805	4	R13, R55, R84, R99
SC-000079-GP	SCREW, MACH, M4X19, , , BLACK, ZN	2	
SC-000081-GP	T3X8MM, SELF TAPPING, , , ,	6	
SC-000082-GP	SCREW, BIND, HEAD, M3.2 X 8, , B-TITE,	6	
SC-000083-GP	SCREW, BIND, HEAD, M3.5 X 16, , B-TITE,	10	
SC-000084-GP	SCREW, BIND, SERRATED HEAD, M4X25, B-TITE,	4	
SC-000085-GP	SELF SCREW, 3X8, WITH, SERRATED HEAD, , ,	6	
SC-000086-GP	SCREW, M8X101.5, BZ, , , ,	1	
SC-030002-GP	M3 B-TITE FLAT-CS	2	
SC-030004-GP	M3 X 8 BLK MACHINE	5	

Part Number	Description	Qty	Ref Des
SC-030008-GP	SCREW M3X6 BLK TAP	4	
SW-000088-GP	ROCKER POWER SWITCH	1	
SW-000119-GP	CIRCUIT BREAKER, 3A, 230V, HPR,	1	
SW-000122-GP	SWITCH, 1P2T, ,	1	SW502
SW-000123-GP	SWITCH, 2P2T, ,	1	SW501
WC-0.6023-GP	0.6 JUMPER 23AWG	1	C519
WC-000188-GP	SLEEVE, PVC, 5MM ID, BLK	0	
WC-000339-GP	JUMPER, BARE, 18GA, SOLID, HPR, ,	8	W1, W2, W3, W4, W5, W6, W7, W8
WC-000410-GP	UL1672, AWG#18, BROWN, , , , ,	0	
WC-000411-GP	UL1672, AWG#18, BLUE, , , , ,	0	
WC-000412-GP	GRND WIRE, UL1015 #14, , , , ,	1	
WC-000413-GP	WIRE-FLAT, 10P P1.5 #26, , , , ,	3	J507, J508B, J510
WC-000423-GP	SHRINKAGE TUBE, ID=6MM, UL, , , , ,	0	
XF-000294-GP	POWER TRANSFORMER, 230V, . . . , HPR SERIES, ,	1	