



THIS DOCUMENT CONTAINS PROPRIETARY INFORMATION WHICH IS THE PROPERTY OF QSC AUDIO PRODUCTS, THAT MAY NOT BE DISCLOSED, REPRODUCED OR USED WITHOUT EXPRESS WRITTEN CONSENT FROM QSC AUDIO PRODUCTS.

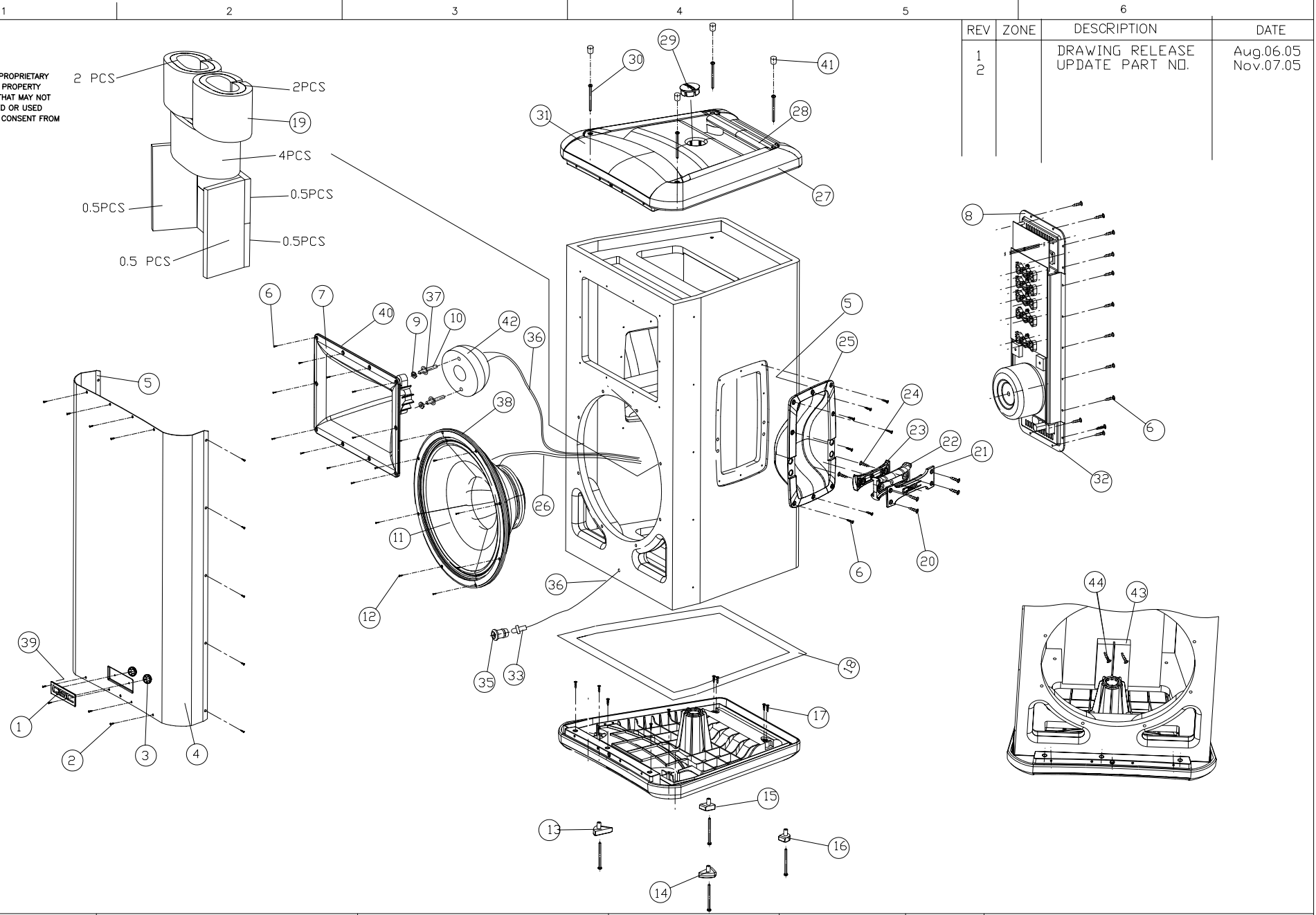
A

B

C

D

E



REV		ZONE	DESCRIPTION	DATE
1			DRAWING RELEASE	Aug.06.05
2			UPDATE PART NO.	Nov.07.05

UNLESS OTHERWISE SPECIFIED : TOLERANCES ARE

1 decimal place	±0.1mm	31 - 120mm	±0.3mm
1 - 5mm	±0.1mm	121 - 315mm	±0.5mm
6 - 30mm	±0.2mm	OVER 315mm	±0.8mm

MODEL	USAGE
HPR 2 WAY	

MATERIAL:
FINISH:
DO NOT SCALE DRAWING

SIGNATURE
DATE
CHECKED:
APPROVED:

TITLE: HPR 2WAY EXPLODED DRAWING			
PART NO.			
SCALE	SIZE	DRAWING NO.	REV
NTS	A4	EXPLODED_2WAY_HPR	2
			PAGE 1 OF 3

QSC QSC AUDIO PRODUCTS, INC.
1675 MACARTHUR BOULEVARD
COSTA MESA, CA 92626

Item Number	Component Description	Component Item Number	Qty
1	LOGO,HPR SERIES,,,,	PL-000440-GP	1
2	SCREW,TRUSS HEAD,M4X16,JHC030-00,,	SC-000099-GP	18
3	S/L WASHER,M9.7X22X0.5,,,	NW-000105-GP	2
4	GRILL,,,HPR152F,	CH-000476-GP	1
5	GASKET,1000X10X2MM,EVA B,,,	PL-000062-GP	5
6	SCREW WOOD,M4X20,BIND HEAD BZ,,,	SC-000100-GP	46
7	HORN,HF,HPR152F,,,	PL-000446-GP	1
8	EVA GASKET,5X500,,,,	PL-000066-GP	4
9	HEXAGON NUT,M6 X 10,,,,	SC-000087-GP	2
10	STUD,M6X34,BZ FOR QSC HPR,,,	SC-000103-GP	2
11	WOOFER,15",PAPER,FERRITE,CELESTION,FTR-3070C-T5452_GPE	SP-000081-GP	1
12	SCREW,M5X34,HEX-SOCKET,HEAD DIA 11XH5,BLK,	SC-000095-GP	8
13	FEET,END CAP,HPR,RUBBER, A,,	PL-000441-GP	1
14	FEET,END CAP,HPR,RUBBER, B,,	PL-000442-GP	1
15	FEET,END CAP,HPR,RUBBER, C,,	PL-000443-GP	1
16	FEET,END CAP,HPR,RUBBER, D,,	PL-000444-GP	1
17	SCREW,M5,HEXAGON-SOCKET,,,,	SC-000092-GP	18
18	GASKET,FOR QBASS END CAP (1M),,,,	PL-000068-GP	4
19	ACOUSTIC WOOL,200X600X30,,,	MS-000074-GP	11
20	SCREW,M5X25,PAN HEAD,DIA 8XH2.5,BLACK,	SC-000094-GP	8
21	TOP HANDLE,FOR HPR,SIDE HANDLE,,	CH-000494-GP	2
22	RUBBER GRIP,FOR HPR SIDE HANDLE,,,,	PL-000072-GP	2
23	BOTTOM HANDLE,FOR HPR,SIDE HANDLE,,	CH-000523-GP	2
24	SCREW,M5X12,PH BLK ZN,,,	SC-000096-GP	4
25	HANDLE CAP,FOR HPR,,,,	PL-000076-GP	2
26	#16 AWG WIRE,UL1015 PIN,T65-6Y-2,,,,	WC-000419-GP	1
27	ENDCAP,FOR HPR-2WAY/3WAY,,,,	PL-000069-GP	2
28	REAR HANDLE,FOR HPR,ENDCAP,,	CH-000493-GP	2
29	PLUG ENDCAP,FOR HPR 3WAY,,,,	PL-000073-GP	1
30	SCREW,PH,M5X85MM,,BLACK,	SC-000098-GP	8
31	FRONT HANDLE,FOR HPR,ENDCAP,,	CH-000491-GP	2
32	AMP MODULE,,HPR152F,120V,	WP-001526-00	1
33	LED,3MM,BLUE SP,SLR343BB T 225419 ROHM,,,	QD-000312-GP	1
34	CABINET,FOR HPR 2WAY,,,,	SB-000051-GP	1
35	LED HOLDER,FOR HPR,,,,	PL-000479-GP	1
36	WIRE,BLACK&BLACK,26 AWG TWIN,,,1080MM,UL2468	WC-000420-GP	1

Item Number	Component Description	Component Item Number	Qty
37	WASHER,M6,IT,11.8X6.2,MF6003,	NW-000108-GP	2
38	GASKET,1300X10X4MM,EVA BK,,,	PL-000063-GP	1
39	FOAM STRIP,MP1,406.4X6X4,SP8296,,	PL-000065-GP	1
40	GRILLE,GASKET,FOR QBASS,,,	PL-000067-GP	4
41	RUBBER COVER,FOR HPR HANDLE HOLE,,,,	PL-000074-GP	4
42	COMPRESSION DRIVER,1.75",PETP FILM,FERRITE,CELESTION,CDX1-1745,T5453_GPE	SP-000082-GP	1
43	WOOD BLOCK,FOR HPR 2-WAY,,,	MS-000075-GP	1
44	ME SCREW,4X30 6.8MM,BK-Z,JHB102,,	SC-000090-GP	2