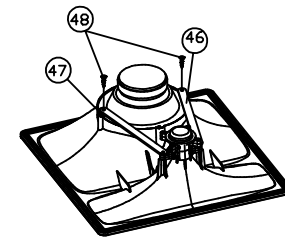
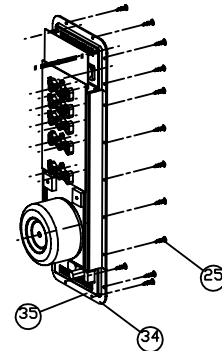
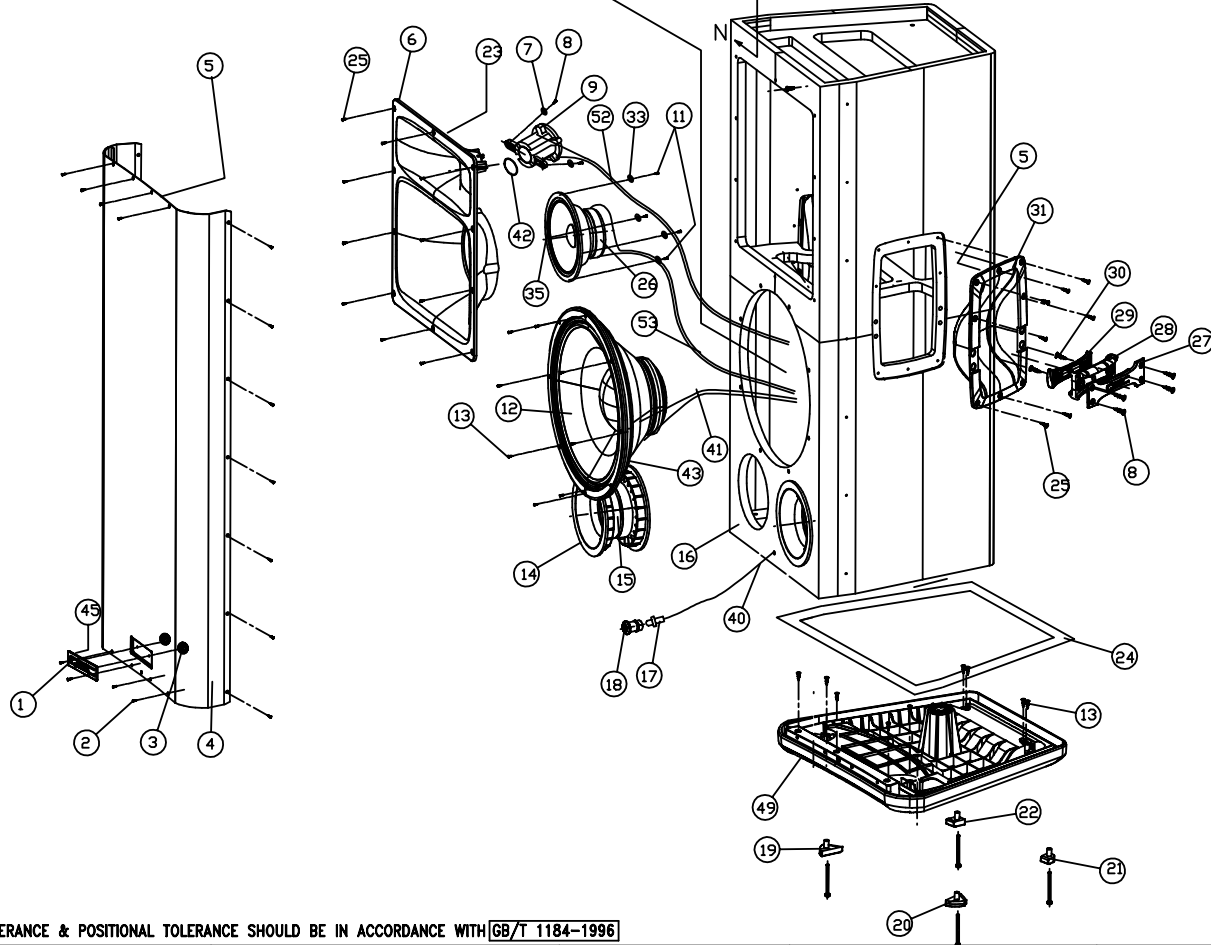
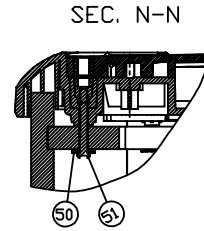
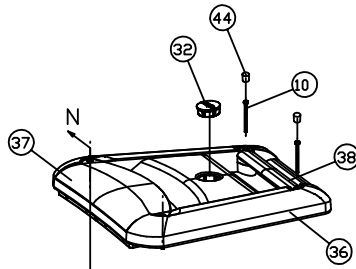
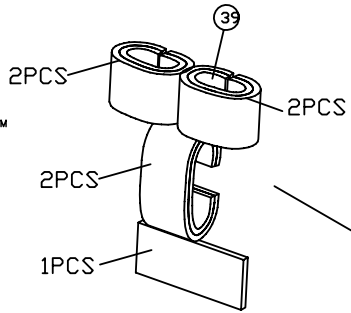




WORK TO DIMENSIONS. REMOVE ALL BURRS. ALL CASTINGS AND MOULDING TO BE FREE FROM SINKS AND BLEMISHES.

THIS DOCUMENT CONTAINS PROPRIETARY INFORMATION WHICH IS THE PROPERTY OF QSC AUDIO PRODUCTS, THAT MAY NOT BE DISCLOSED, REPRODUCED OR USED WITHOUT EXPRESS WRITTEN CONSENT FROM QSC AUDIO PRODUCTS.



GEOMETRIC TOLERANCE & POSITIONAL TOLERANCE SHOULD BE IN ACCORDANCE WITH GB/T 1184-1996

**QSC** QSC AUDIO PRODUCTS, INC.  
1515 MACARTHUR BOULEVARD  
COSTA MESA, CA 92626

UNLESS OTHERWISE SPECIFIED : TOLERANCES ARE			
1 decimal place	±0.1mm	31 - 120mm	±0.3mm
1 - 5mm	±0.1mm	121 - 315mm	±0.5mm
6 - 30mm	±0.2mm	OVER 315mm	±0.8mm

MODEL	USAGE
HPR 153i	

MATERIAL:
UNLESS SPECIFIED COMPLY WITH THE [RoHS]
FINISH:
DO NOT SCALE DRAWING

SIGNATURE	DATE
DRAWN:Huisheng Wu	Aug.10.06
CHECKED:	
APPROVED:	

SIGNATURE	DATE
CHECKED:	
CHECKED:	

TITLE: HPR153i EXPLODED DRAWING			
PART NO.			
SCALE	SIZE	DRAWING NO.	REV
NTS	A4	Exploded_Hpr153i	2
			PAGE 1 OF 3

Item Number	Component Description	Component Item Number	Qty
1	LOGO,HPR SERIES,,,,	PL-000440-GP	1
2	SCREW,TRUSS HEAD,M4X16,JHC030-00,,	SC-000099-GP	22
3	S/L WASHER,M9.7X22X0.5,,,	NW-000105-GP	2
4	GRILL,,,HPR153F,	CH-000477-GP	1
5	GASKET,1000X10X2MM,EVA B,,,	PL-000062-GP	6
6	HORN,MF, HF,HPR153F,,,	PL-000447-GP	1
7	Z/T WASHER,M5X0.8X10MM,WZ,,	NW-000110-GP	2
8	SCREW,M5X25,PAN HEAD,DIA 8XH2.5,BLACK,	SC-000094-GP	10
9	COMPRESSION DRIVER,1.4",ALUMINUM,NEODYMIUM	SP-000086-GP	1
10	SCREW,PH,M5X85MM,,BLACK,	SC-000098-GP	8
11	MA SCREW,4X7 6.5MM,YW-ZN,JG1601,,	SC-000089-GP	2
12	WOOFER,15",PAPER,FERRITE	SP-000084-GP	1
13	SCREW,M5,HEXAGON-SOCKET,,,	SC-000092-GP	26
14	PORT TUBE,FOR HPR,,,,	PL-000071-GP	4
15	PAPER TUBE,FOR HPR 3WAY,15MM,,	MS-000077-GP	2
16	ENCLOSURE,,HPR153i,,,	SB-000058-GP	1
17	LED,3MM,BLUE SP,SLR343BB T 225419 ROHM,,,	QD-000312-GP	1
18	LED HOLDER,FOR HPR,,,,	PL-000479-GP	1
19	FOOT A,,,,,	PL-000512-GP	1
20	FOOT B,,,,,	PL-000513-GP	1
21	FEET,END CAP,HPR,RUBBER, C,,	PL-000443-GP	1
22	FEET,END CAP,HPR,RUBBER, D,,	PL-000444-GP	1
23	GRILLE,GASKET,FOR QBASS,,,	PL-000067-GP	5
24	GASKET,FOR QBASS END CAP (1M),,,,	PL-000068-GP	4
25	SCREW WOOD,M4X20,BIND HEAD BZ,,,	SC-000100-GP	46
26	MIDRANGE,6.5",PAPER,FERRITE	SP-000085-GP	1
27	TOP HANDLE,FOR HPR,SIDE HANDLE,,	CH-000494-GP	2
28	RUBBER GRIP,FOR HPR SIDE HANDLE,,,,	PL-000072-GP	2
29	BOTTOM HANDLE,FOR HPR,SIDE HANDLE,,	CH-000523-GP	2
30	SCREW,M5X12,PH BLK ZN,,,	SC-000096-GP	4
31	HANDLE CAP,FOR HPR,,,,	PL-000076-GP	2
32	PLUG ENDCAP,FOR HPR 3WAY,,,,	PL-000073-GP	2
33	SPRING WASHER,M4X0.8X7,MM YEL,,	NW-000106-GP	4
34	AMP MODULE ASSY,,HPR153i,120V,FULL RANGE, 15" 3-WAY	WP-153001-00	1
35	EVA GASKET,5X500,,,,	PL-000066-GP	5
36	ENDCAP,FOR HPR-2WAY/3WAY,,,,	PL-000069-GP	2

Item Number	Component Description	Component Item Number	Qty
37	TOP FRONT HANDLE,,,HPR,	CH-000690-GP	1
38	REAR HANDLE,FOR HPR,ENDCAP,,	CH-000493-GP	2
39	ACOUSTIC WOOL,200X600X30,,,	MS-000074-GP	7
40	WIRE,BLACK&BLACK,26 AWG TWIN,,,1080MM,UL2468	WC-000420-GP	1
41	POWER CORD,IEC,18AWG,,,HPRI,,,120V 3M	WC-000436-GP	1
42	GASKET,D32XD26.5X1MM,EVA BK,,,	PL-000061-GP	1
43	GASKET,1300X10X4MM,EVA BK,,,	PL-000063-GP	1
44	RUBBER COVER,FOR HPR HANDLE HOLE,,,,	PL-000074-GP	4
45	FOAM STRIP,MP1,406.4X6X4,SP8296,,	PL-000065-GP	1
46	MOUNTING PLATE,POWDER COATED,,,HPR-3WAY,	CH-000574-GP	2
47	MOUNTING BOSS,,,HPR-3WAY,	CH-000575-GP	2
48	K5004025102,M4X7.8M,JGC046-00,,,	SC-000088-GP	2
49	BOTTOM FRONT HANDLE,,,HPR,	CH-000691-GP	1
50	WASHER,,,M6 X 1 X 18,,,	HW-000132-GP	6
51	SCREW,M6 X 49,,,,	SC-000145-GP	2
52	#16 AWG WIRE,UL1015 PIN,T65-6Y-2,,,,	WC-000418-GP	1
53	#16 AWG WIRE, 750MM		1