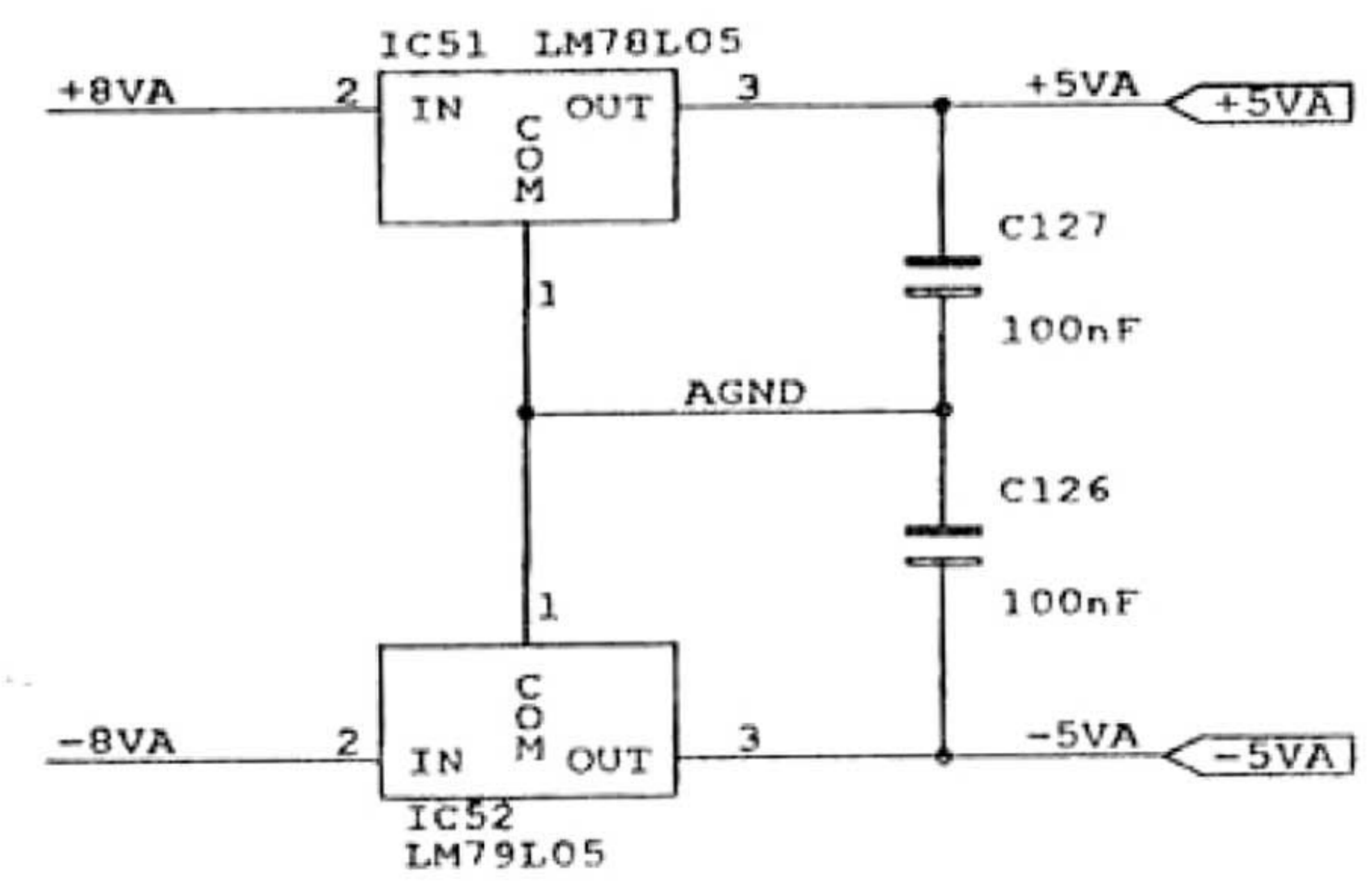
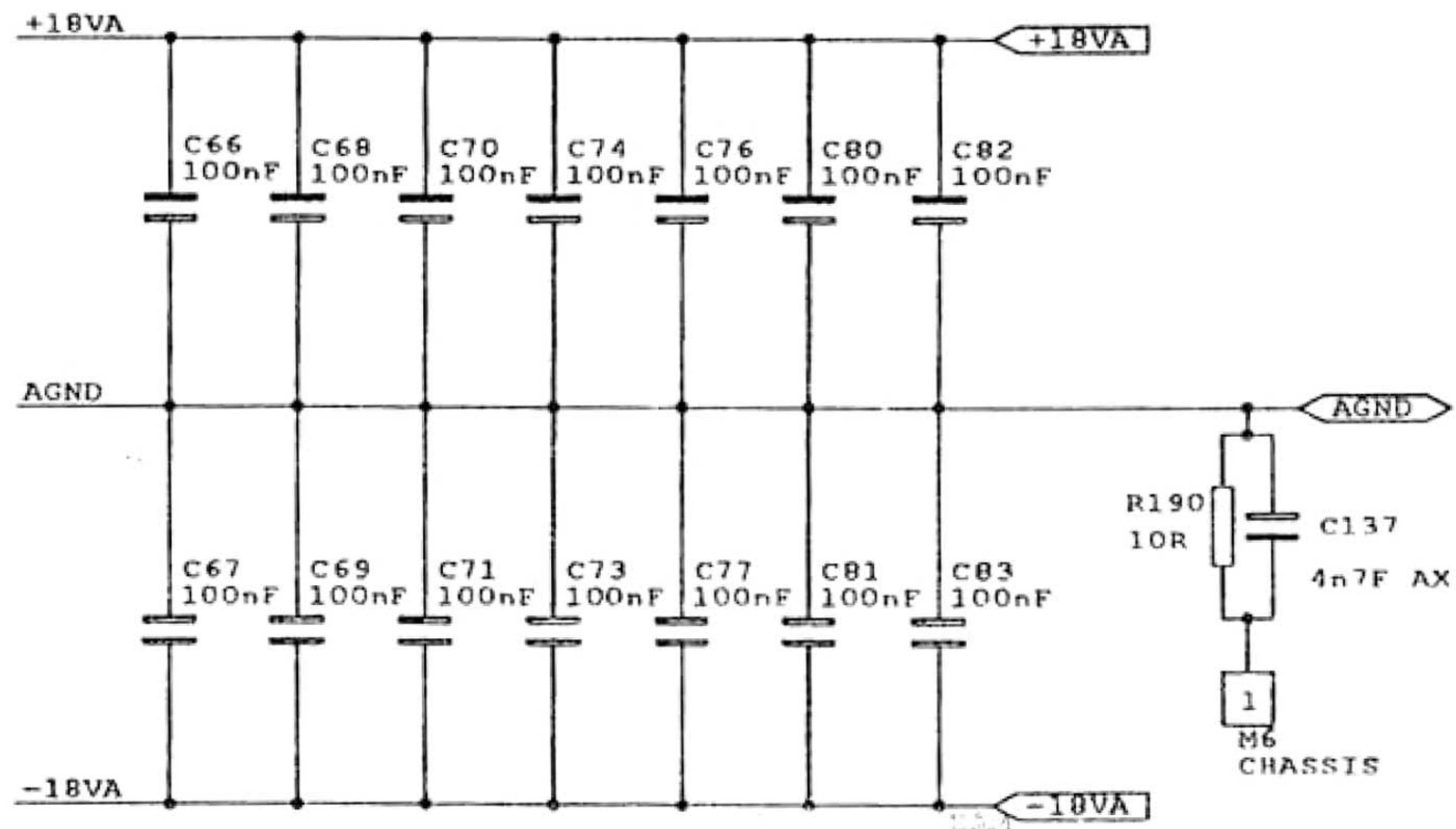
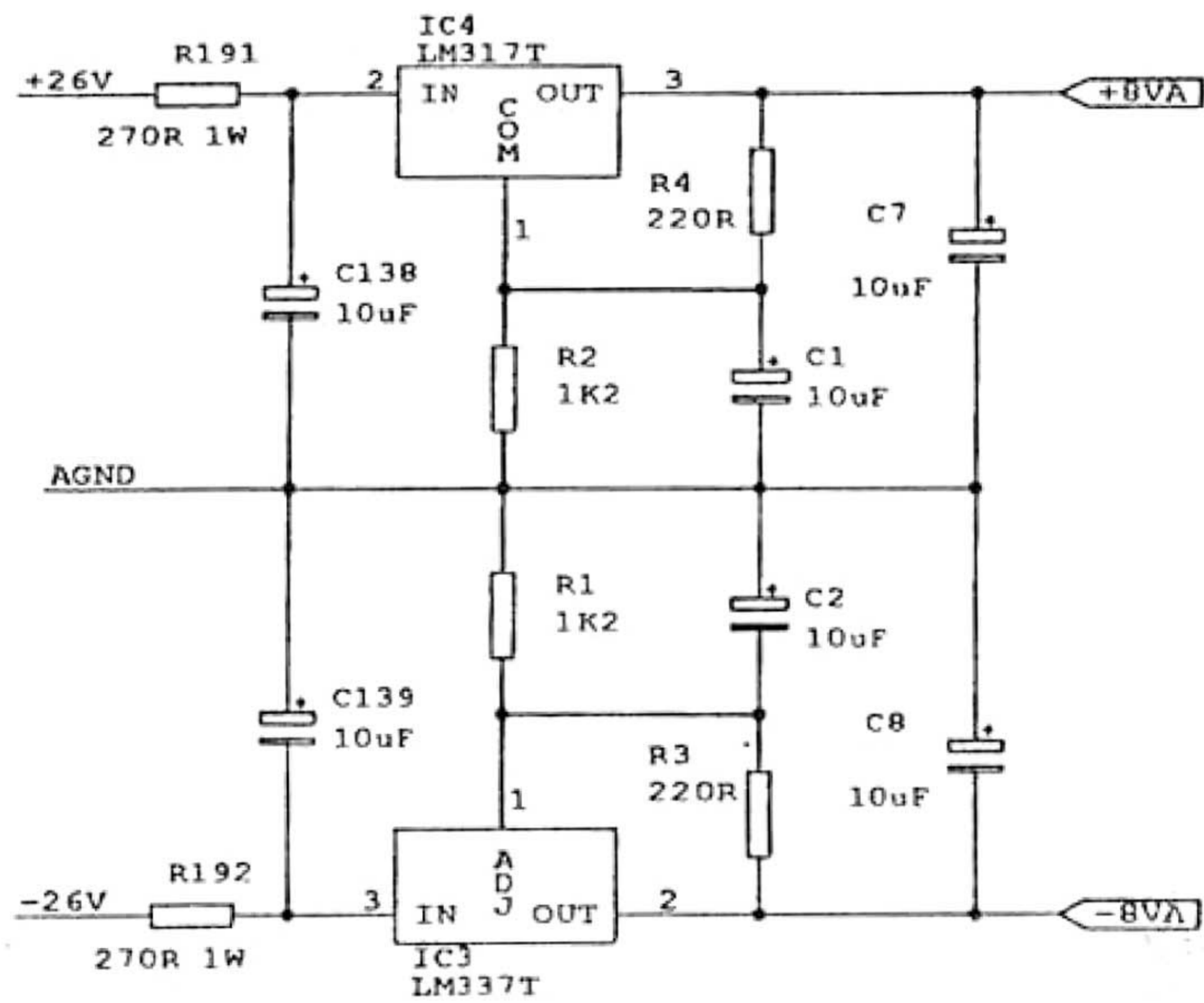
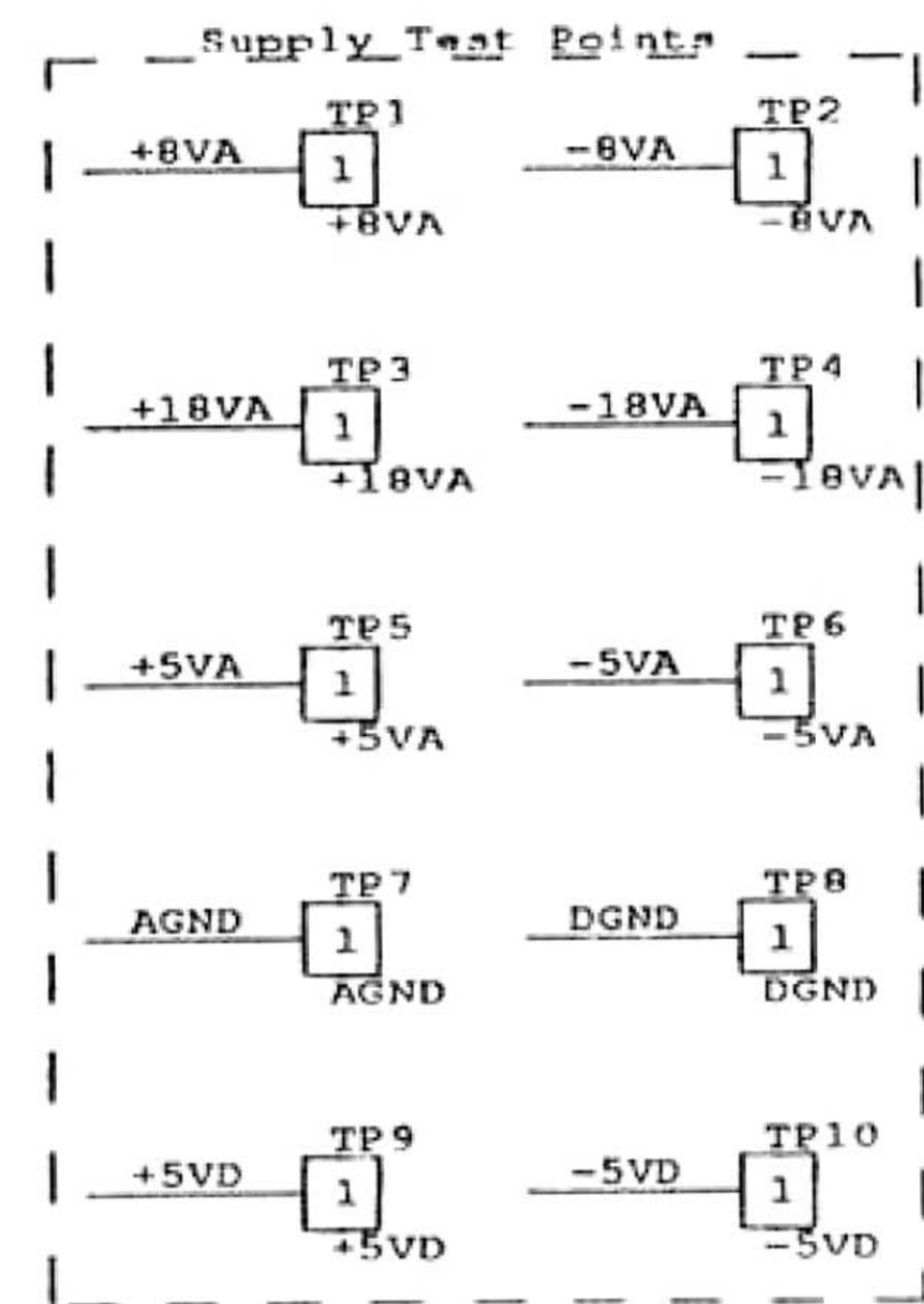
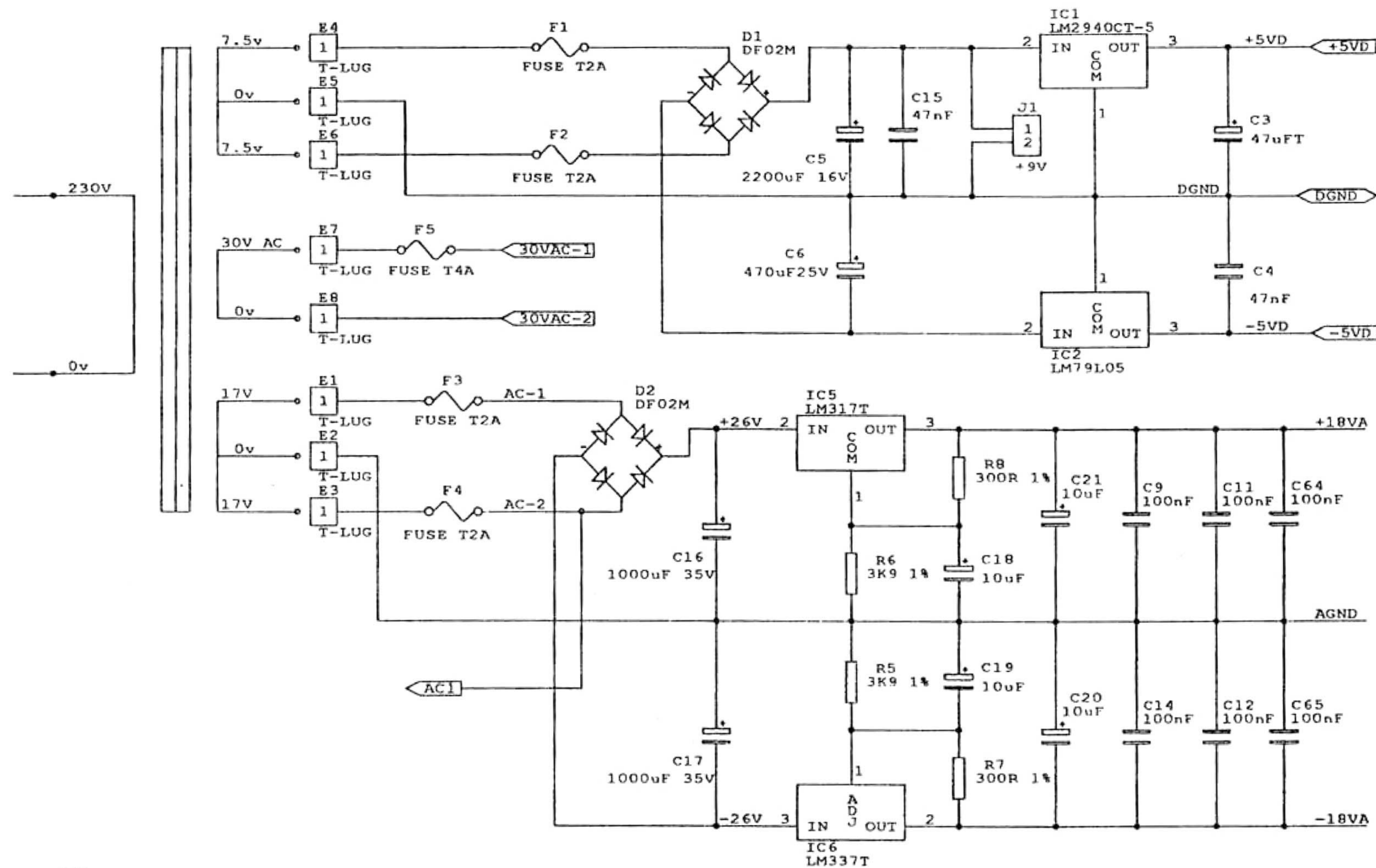


CHANGE NOTE	REMARKS
CN645	
CN656	

QUAD ELECTROACOUSTICS Ltd.
 St. Peter's Road,
 HUNTINGDON
 CAMBRIDGESHIRE

Title 77 SERIES PREAMP SHEET DIAGRAM
 Size Document Number
 A3 CD4154.SCH
 Date: January 26, 1996 Sheet 1 of 9

REV
3

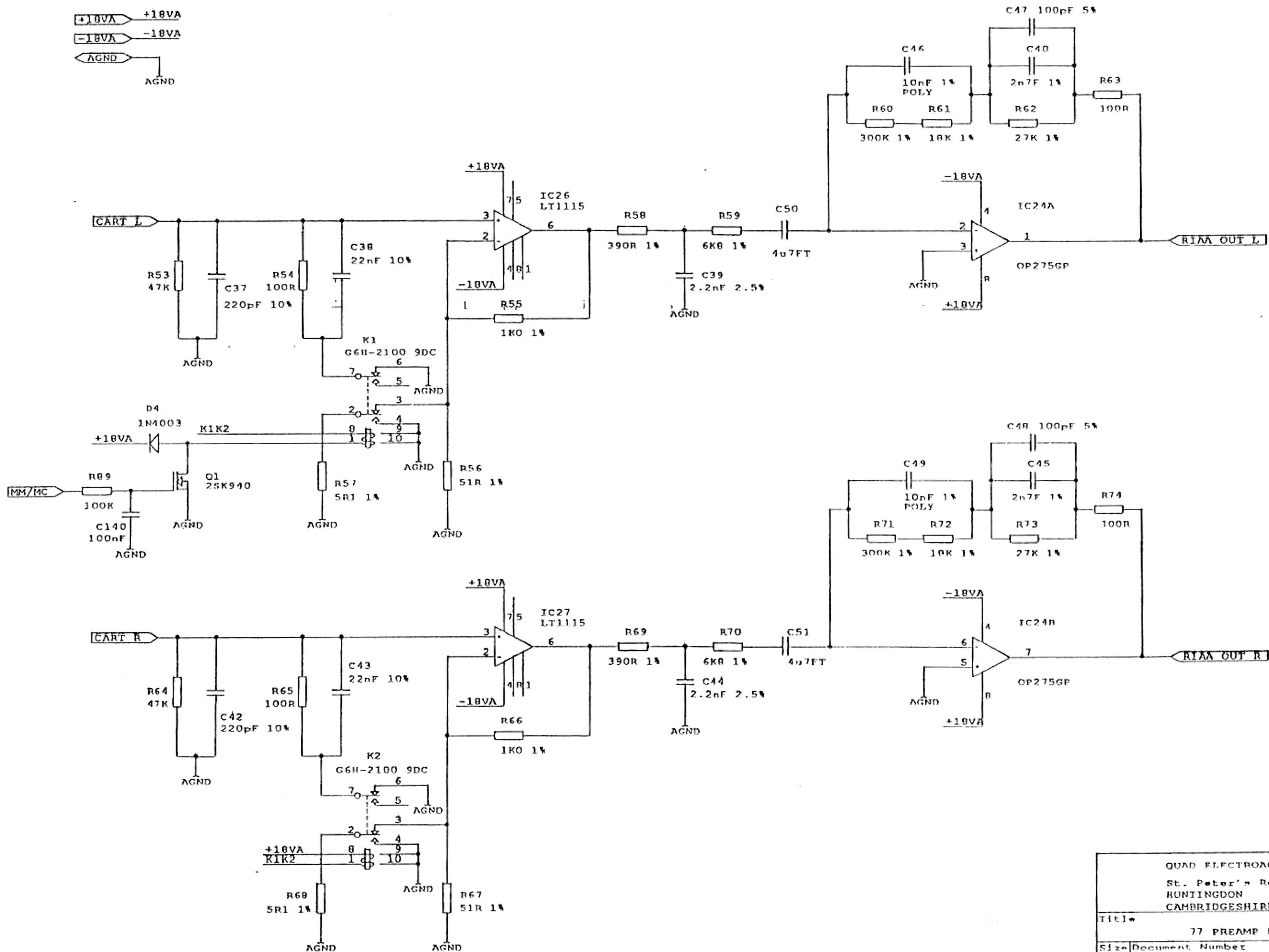
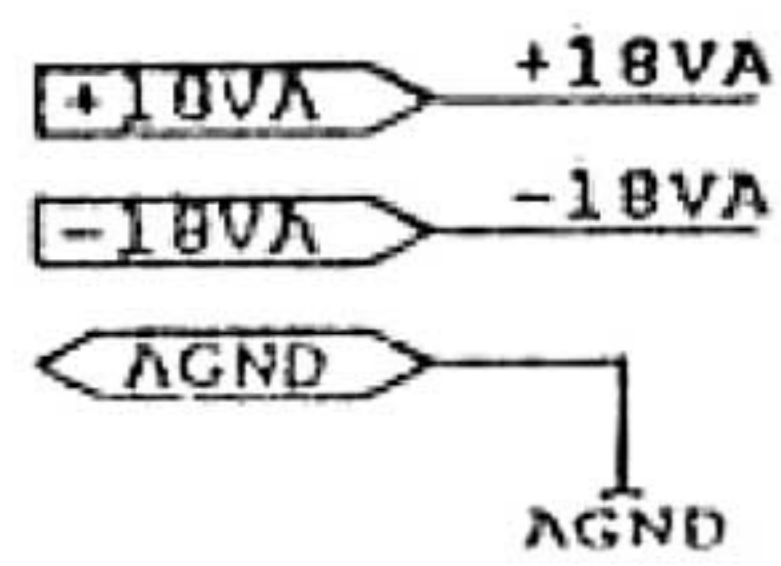


QUAD ELECTROACOUSTICS Ltd.
 St. Peter's Road,
 HUNTINGDON
 CAMBRIDGESHIRE

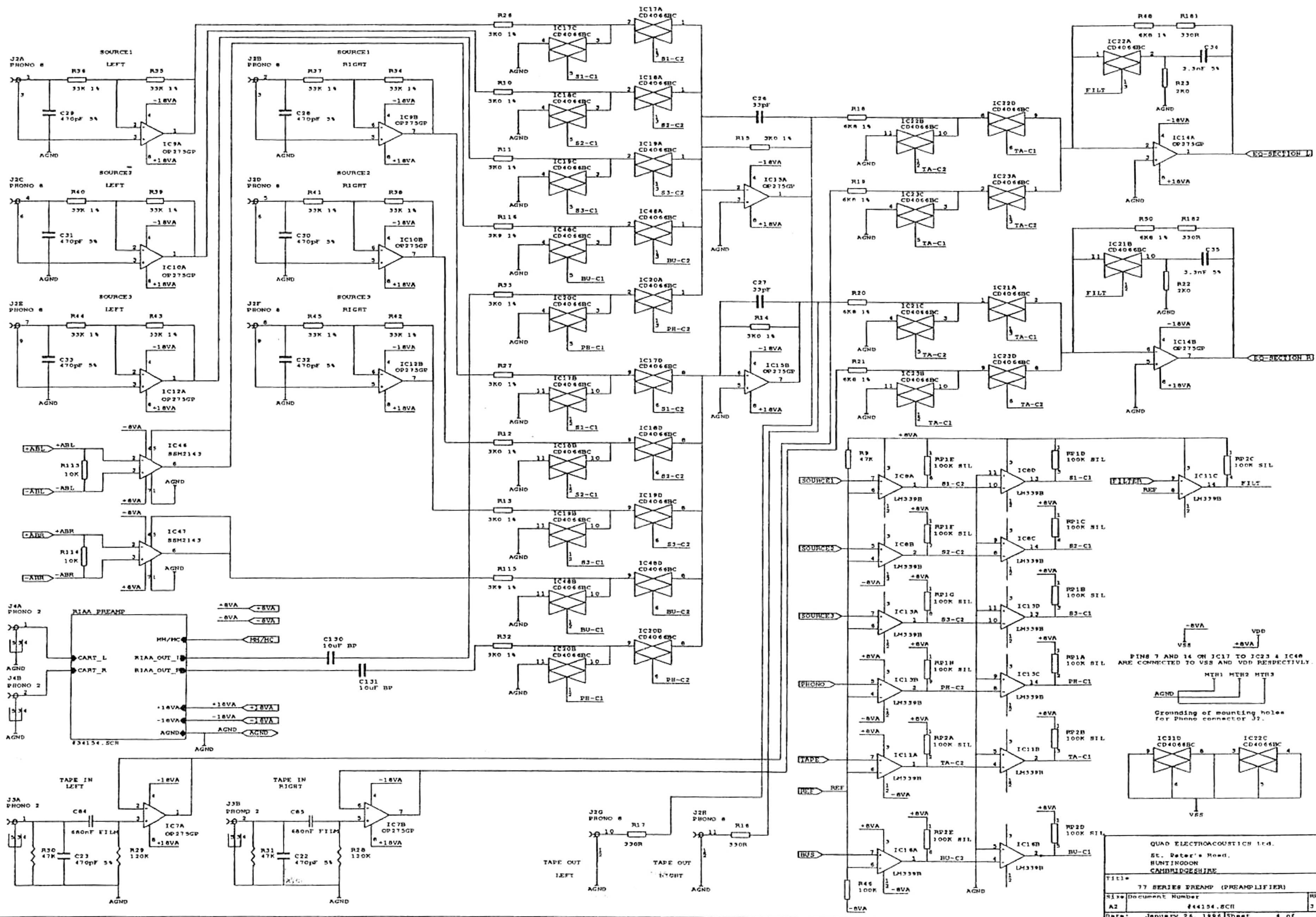
Title: 77 PREAMP POWER SUPPLY

Size	Document Number	REV
A3	#24154.SCH	3

Date: January 17, 1996 Sheet 2 of 9

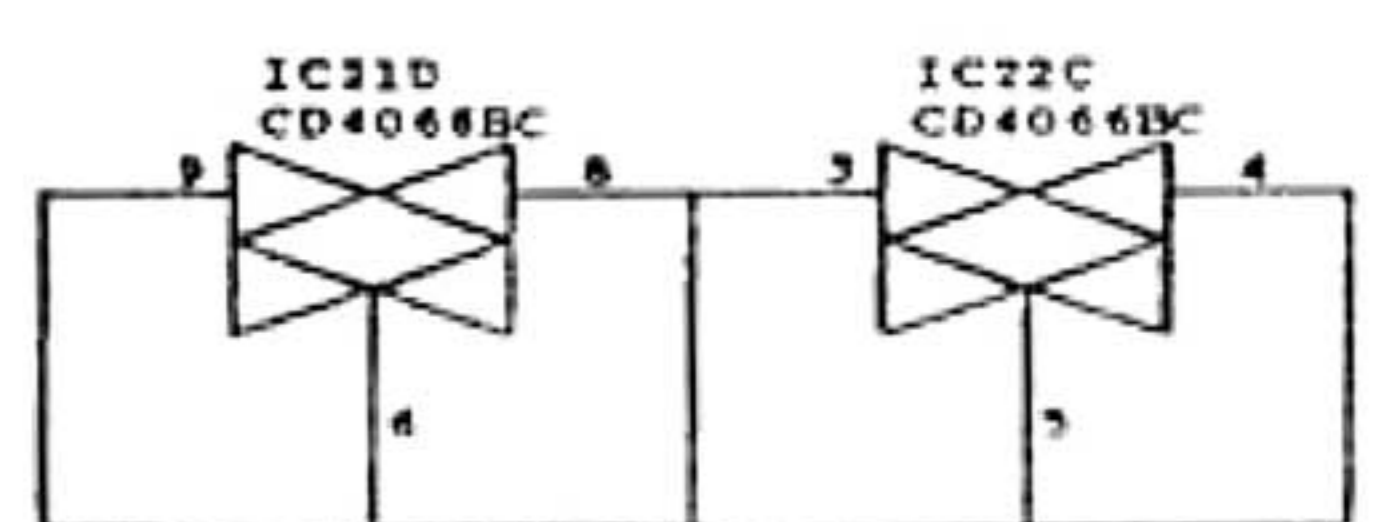


QUAD ELECTROACOUSTICS LTD. St. Peter's Road, HUNTINGDON CAMBRIDGESHIRE		
Title: 77 PREAMP RIAA STAGE		
Size: A3	Document Number: #34154.SCH	REV: 3
Date: January 25, 1996		Sheet: 3 of 9



PINS 7 AND 14 ON IC17 TO IC23 & IC48 ARE CONNECTED TO VSS AND VDD RESPECTIVELY.

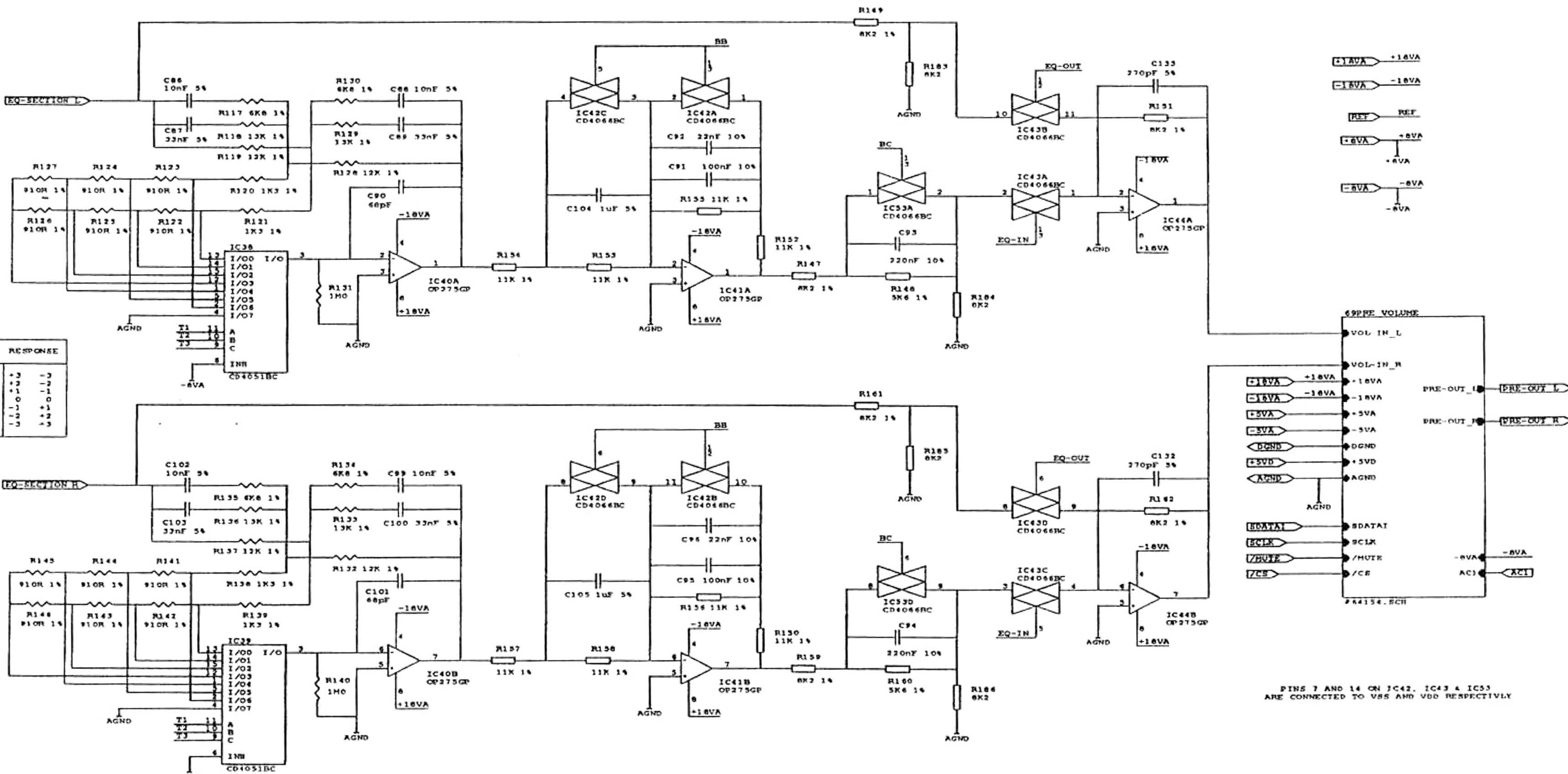
Grounding of mounting holes for Phono connector J2.



QUAD ELECTROACOUSTICS LTD.
St. Peter's Road,
HUNTINGDON
CAMBRIDGESHIRE

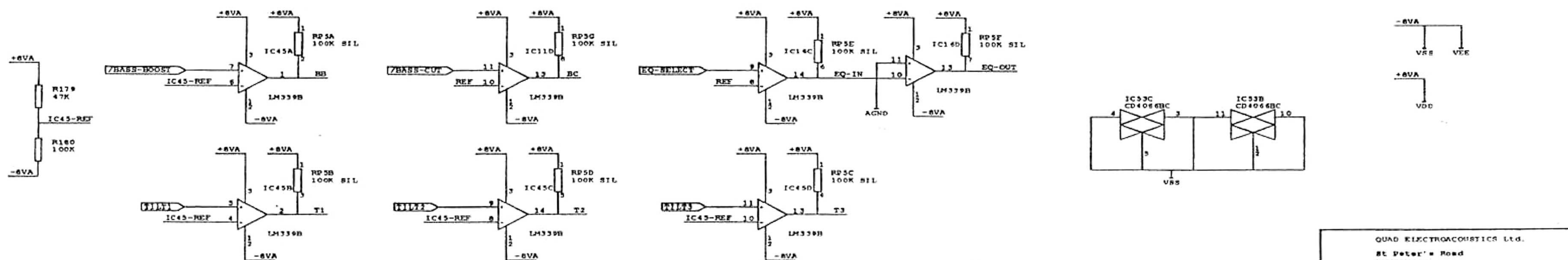
Title		77 SERIES PREAMP (PREAMPLIFIER)	REV
Docu	Document Number	44154.SCH	3
DATE	JANUARY 26, 1991	Sheet	4 of 9

T3	T2	T1	TILT	RESPONSE
0	0	0	7	+3 -3
0	0	1	4	+2 -2
0	1	0	5	+1 -1
0	1	1	8	0 0
1	0	0	3	-1 +1
1	0	1	2	-2 +2
1	1	0	1	-3 +3



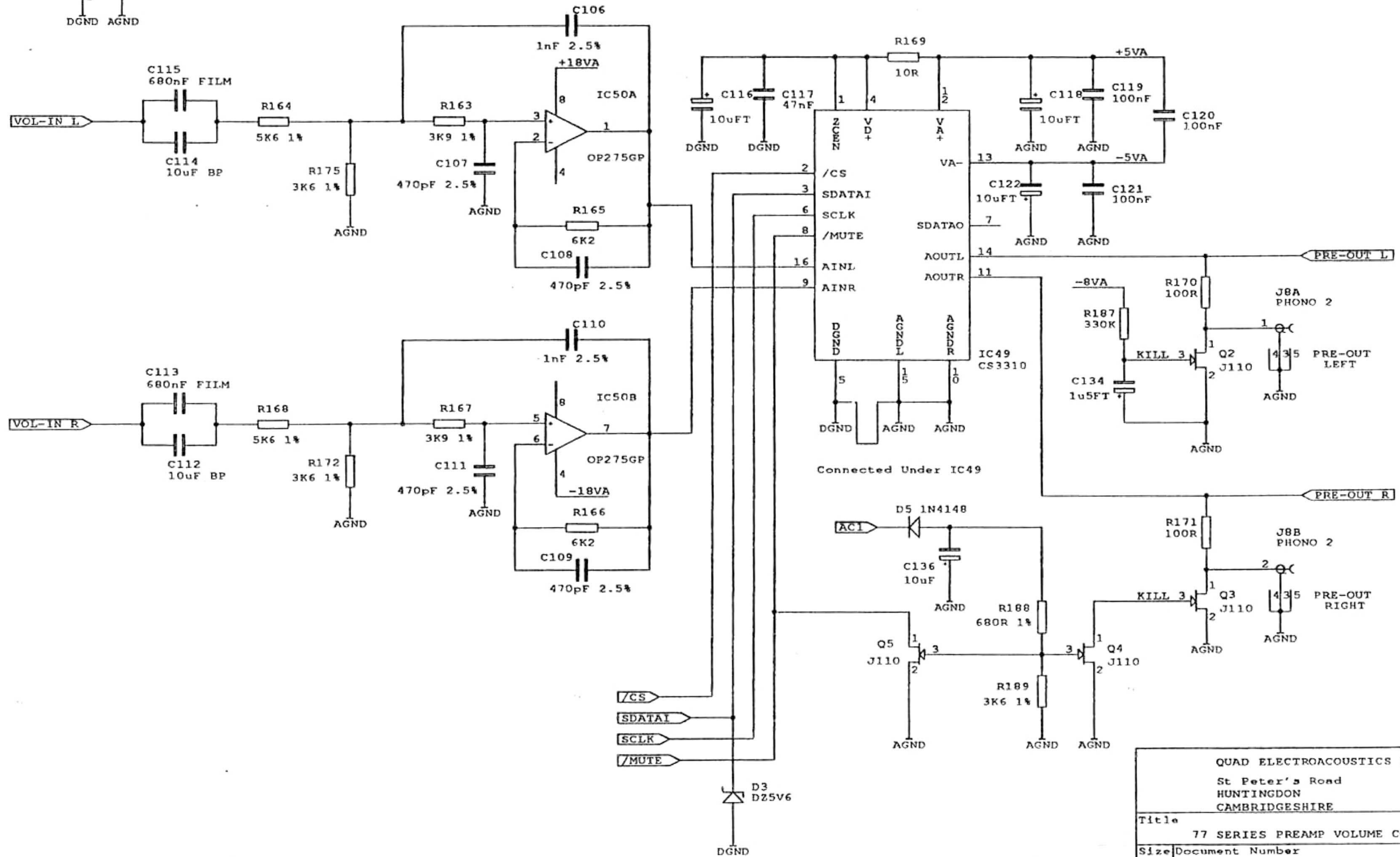
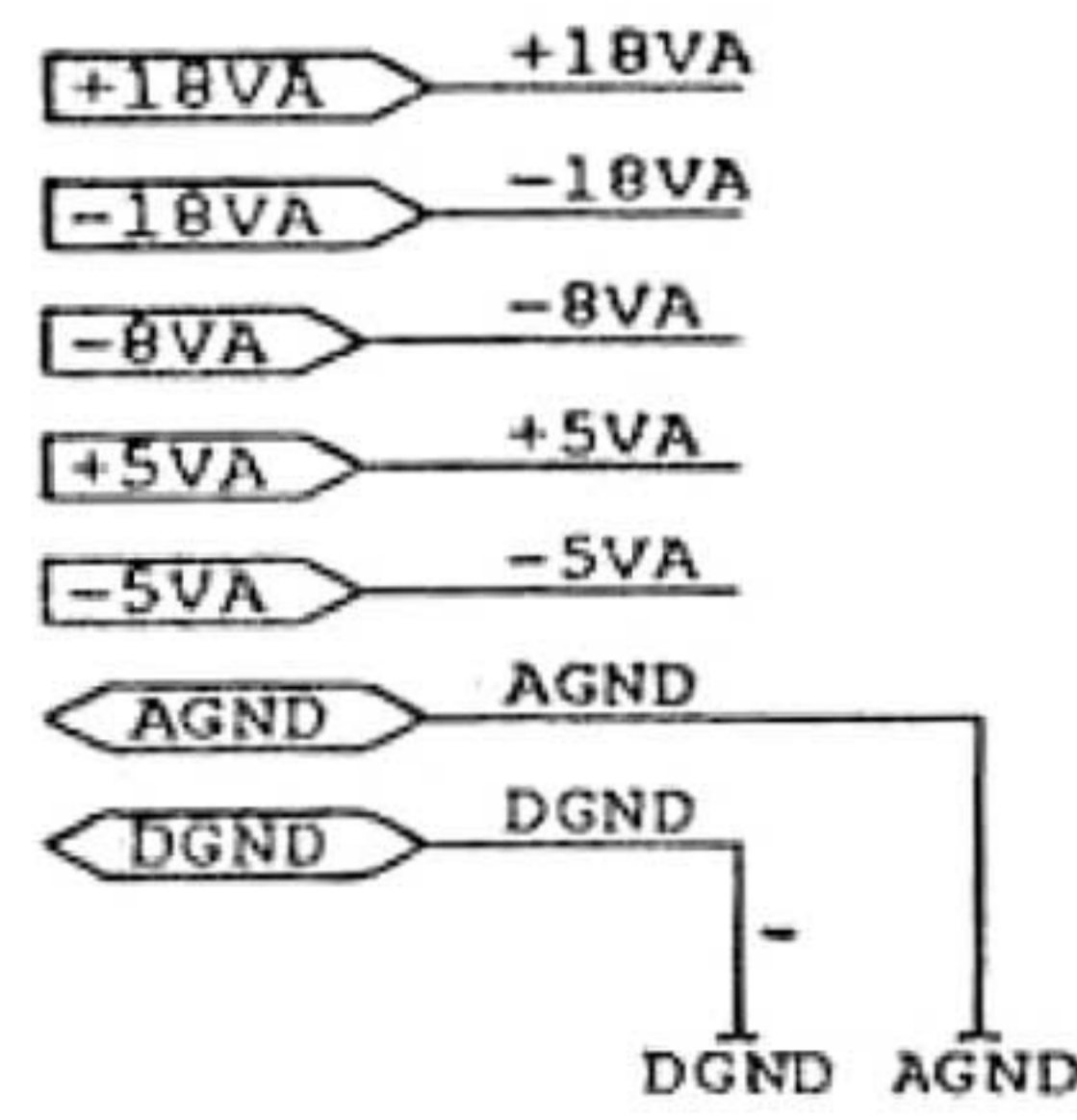
PINS 7 AND 14 ON IC42, IC43 & IC53 ARE CONNECTED TO V85 AND VDD RESPECTIVELY

PINS 7, 8 AND 14 ON IC38 & IC39 ARE CONNECTED TO V85, V88 AND VDD RESPECTIVELY



QUAD ELECTROACOUSTICS Ltd.
 St Peter's Road
 BUNTINGON
 CAMBRIDGESHIRE

Title: 77 PREAMP EQ SECTION
 Revision Number: 854154.BCH
 Date: January 17, 1996 Sheet 3 of 3

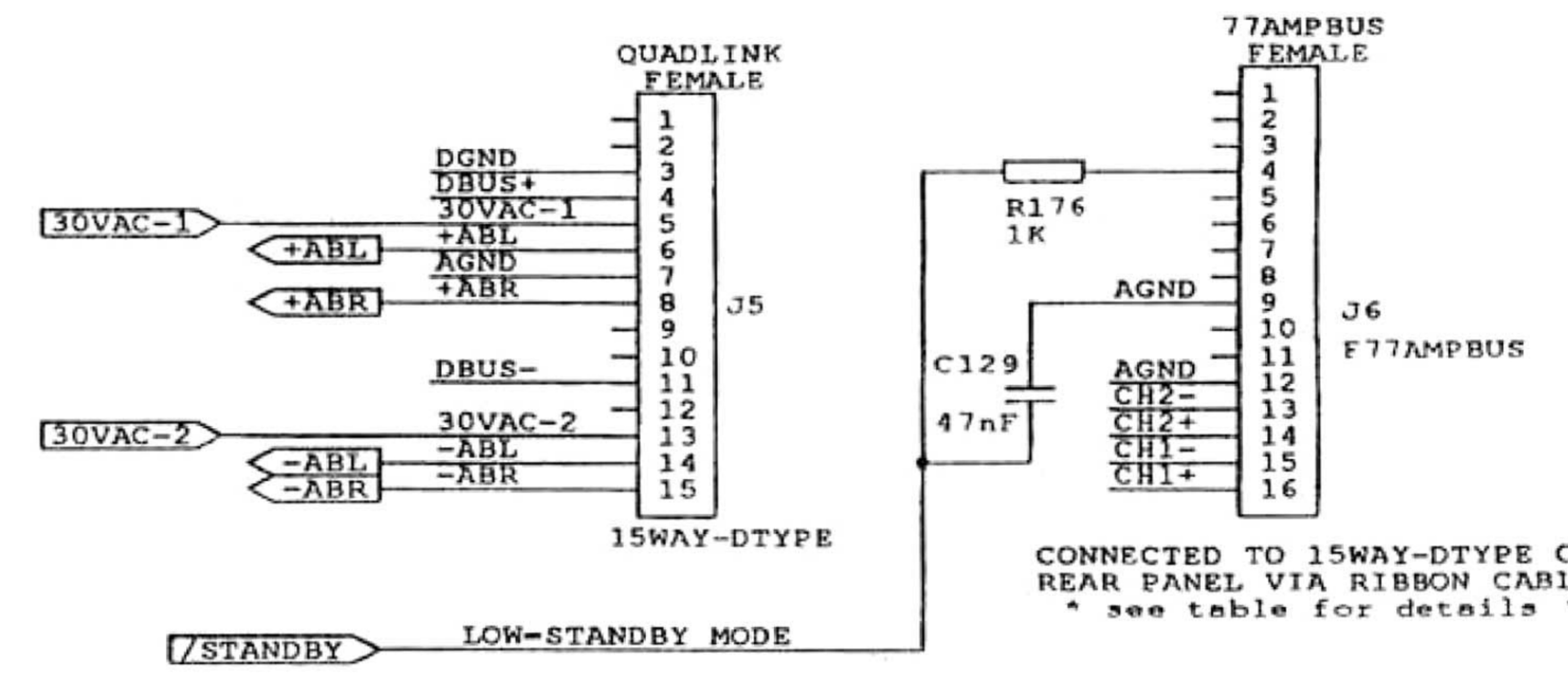
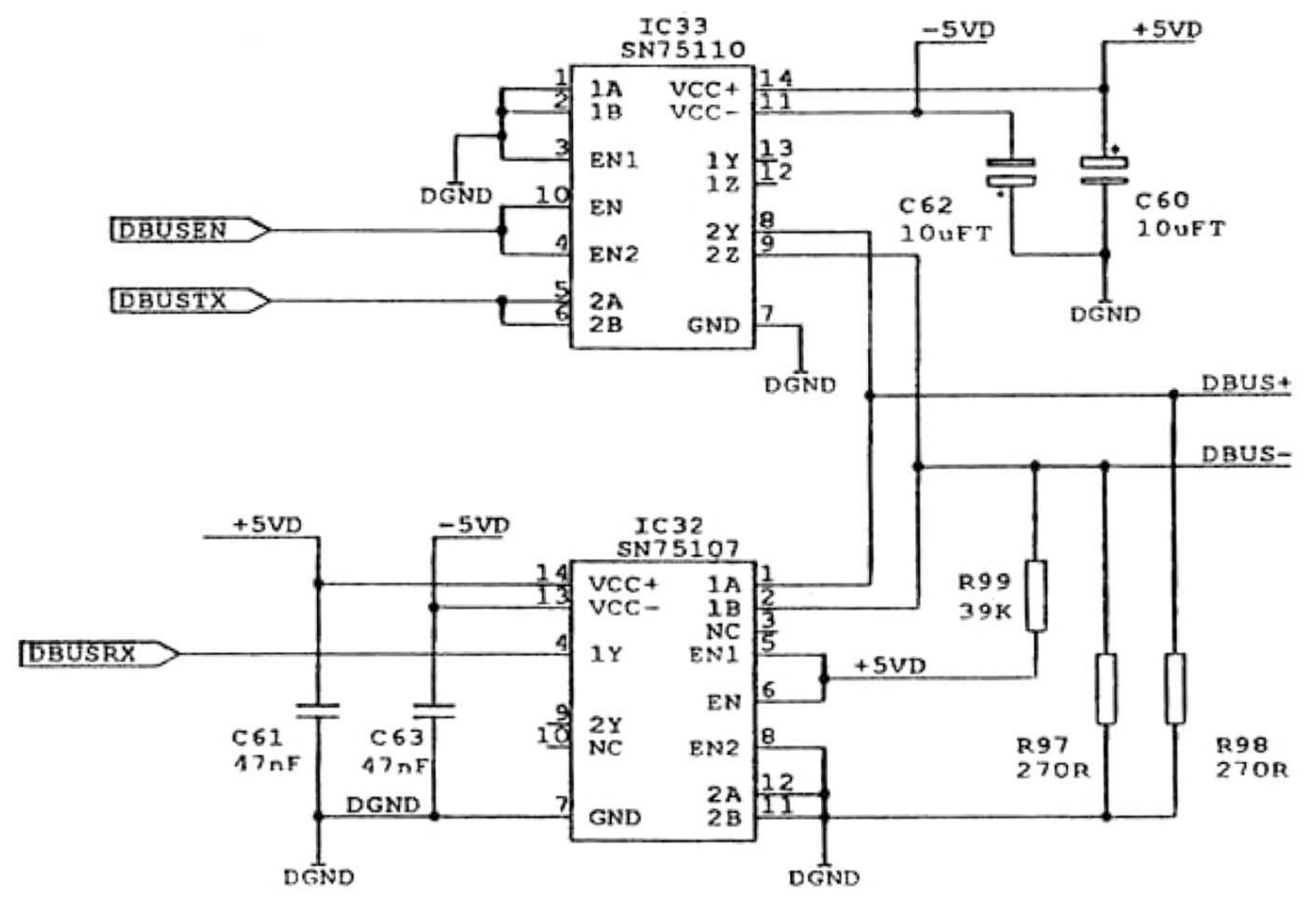
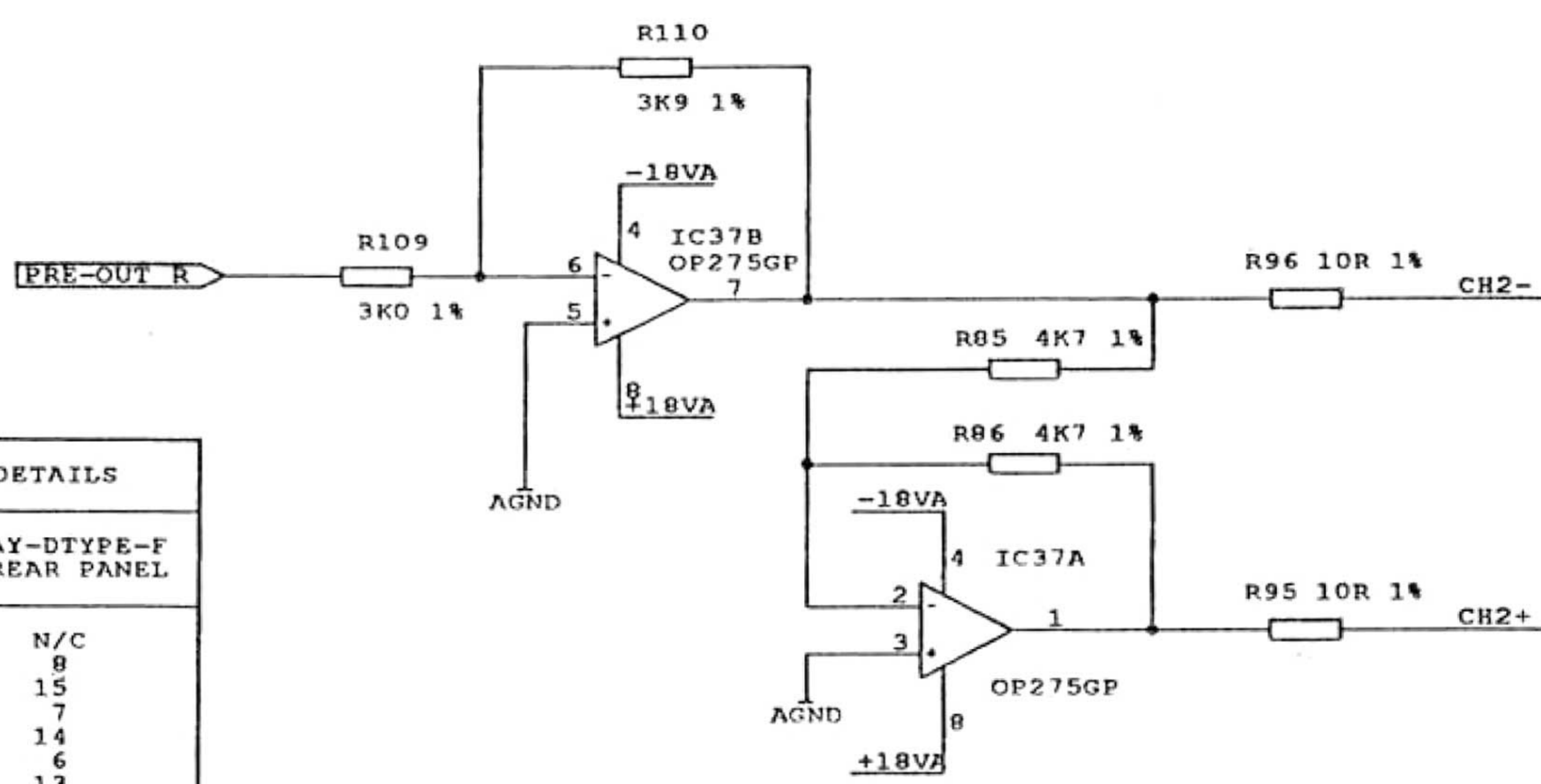
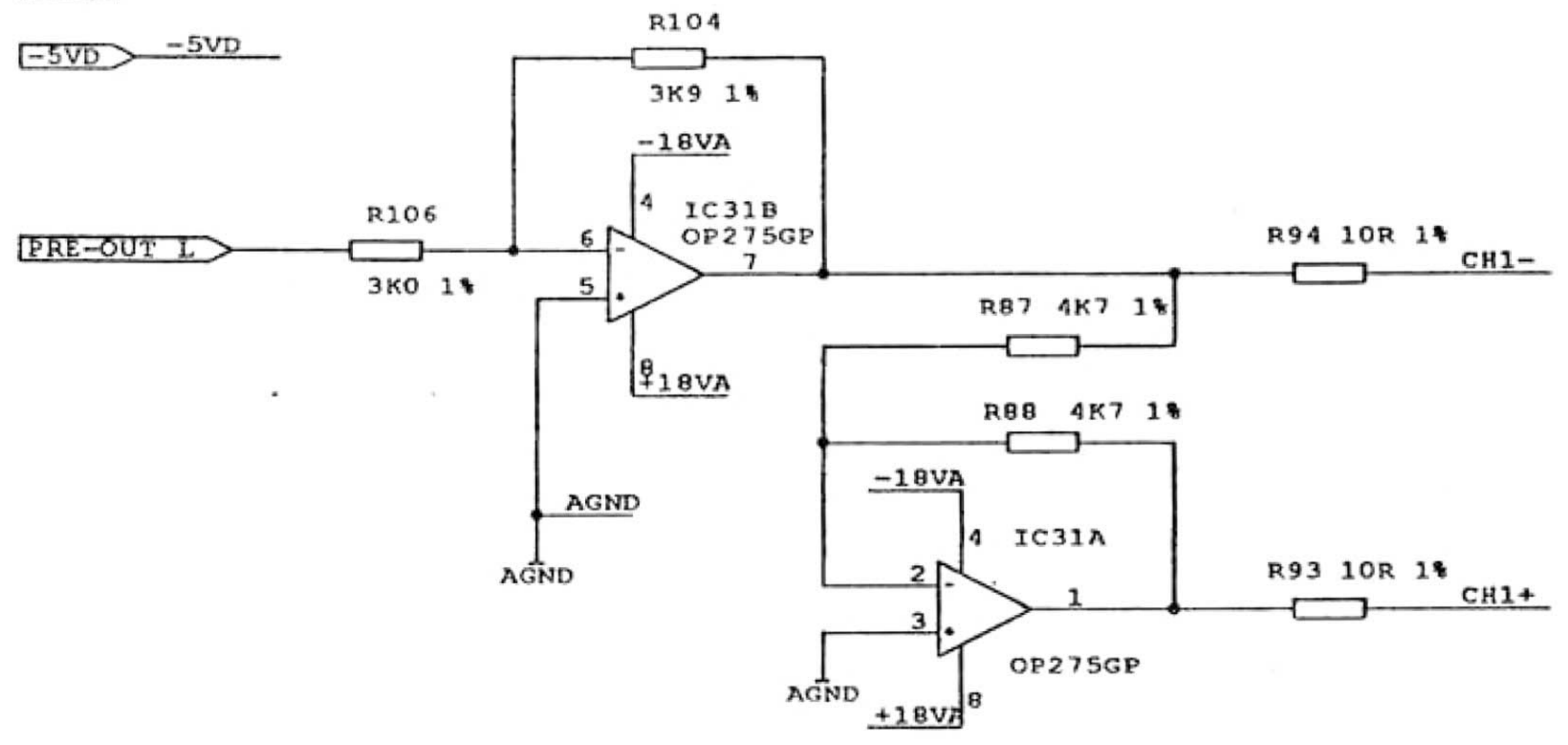
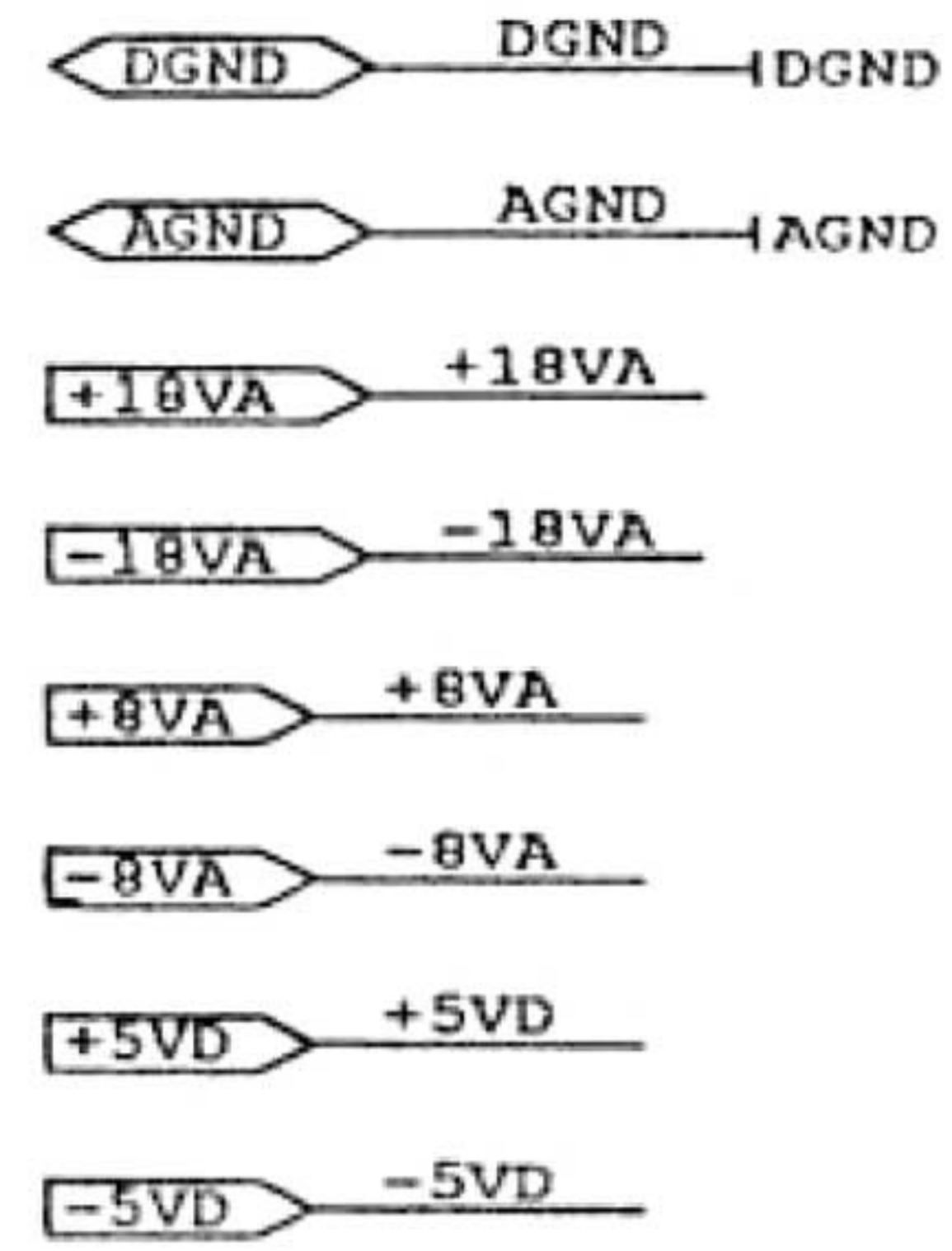


QUAD ELECTROACOUSTICS Ltd
 St Peter's Road
 HUNTINGDON
 CAMBRIDGESHIRE

Title
 77 SERIES PREAMP VOLUME CONTROL

Size	Document Number	REV
A3	#64154.SCH	3

Date: January 25, 1996 Sheet 6 of 9



CONNECTION DETAILS	
J6 ON BOARD	15WAY-DTYPE-F ON REAR PANEL
1	N/C
2	8
3	15
4	7
5	14
6	6
7	13
8	5
9	12
10	4
11	11
12	3
13	10
14	2
15	9
16	1

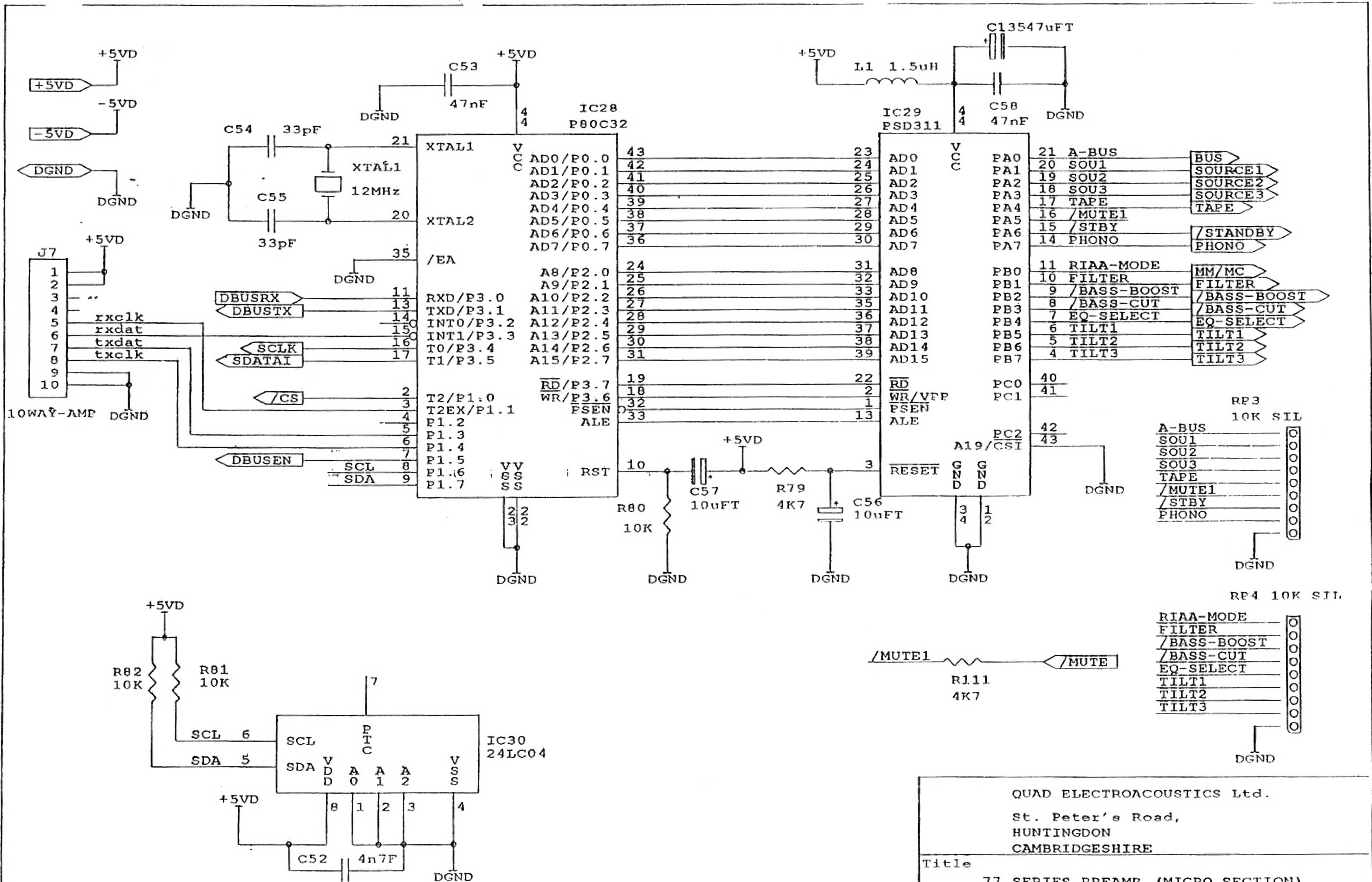
QUAD ELECTROACOUSTICS Ltd.
 St. Peter's Road,
 HUNTINGDON
 CAMBRIDGESHIRE

Title
 77 PREAMP QUADLINK INTERFACE

Size Document Number
 A3 #74154.SCH

REV
 3

Date: January 17, 1996 Sheet 7 of 9



QUAD ELECTROACOUSTICS Ltd.
 St. Peter's Road,
 HUNTINGDON
 CAMBRIDGESHIRE

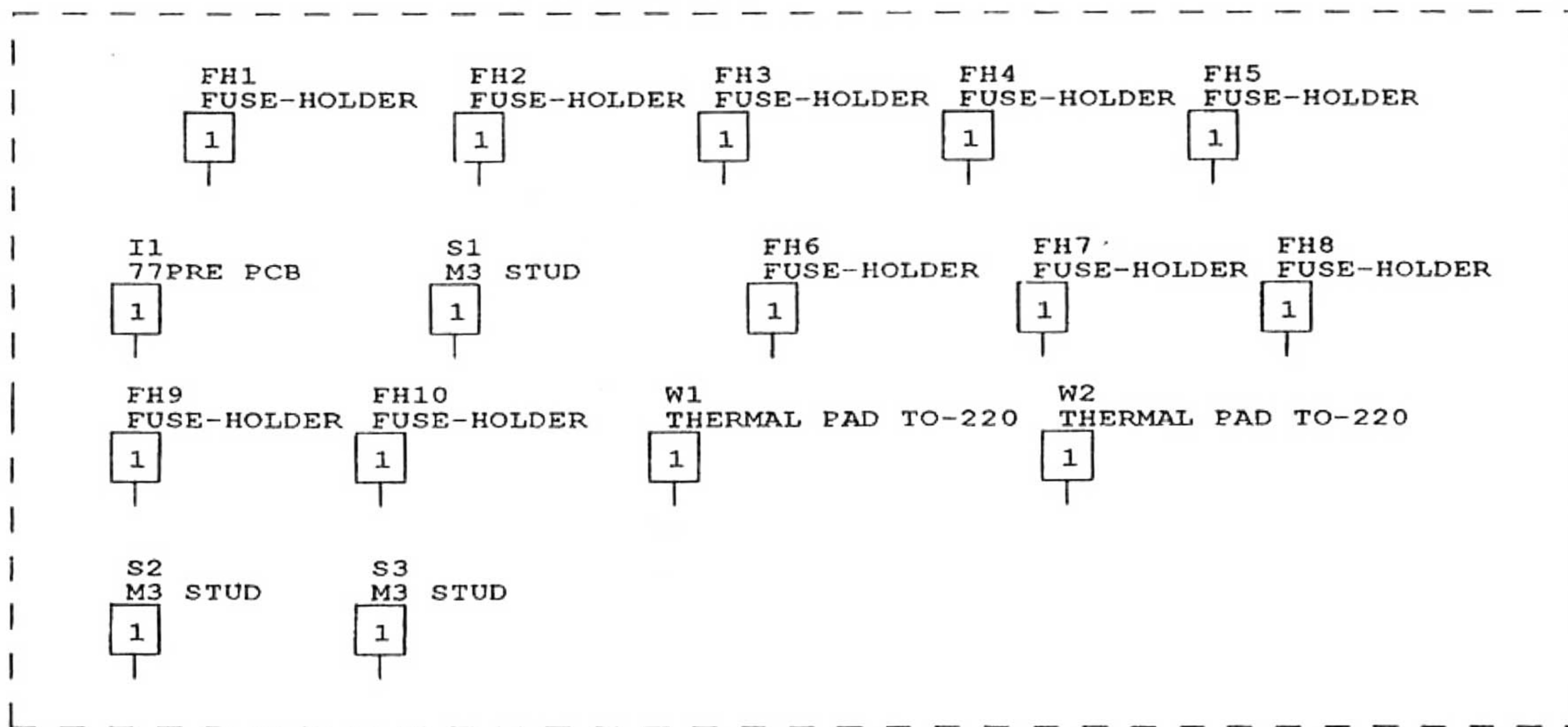
Title
 77 SERIES PREAMP (MICRO SECTION)

Size	Document Number	REV
A4	#84154.SCH	2

Date: December 8, 1995 | Sheet 8 of 9

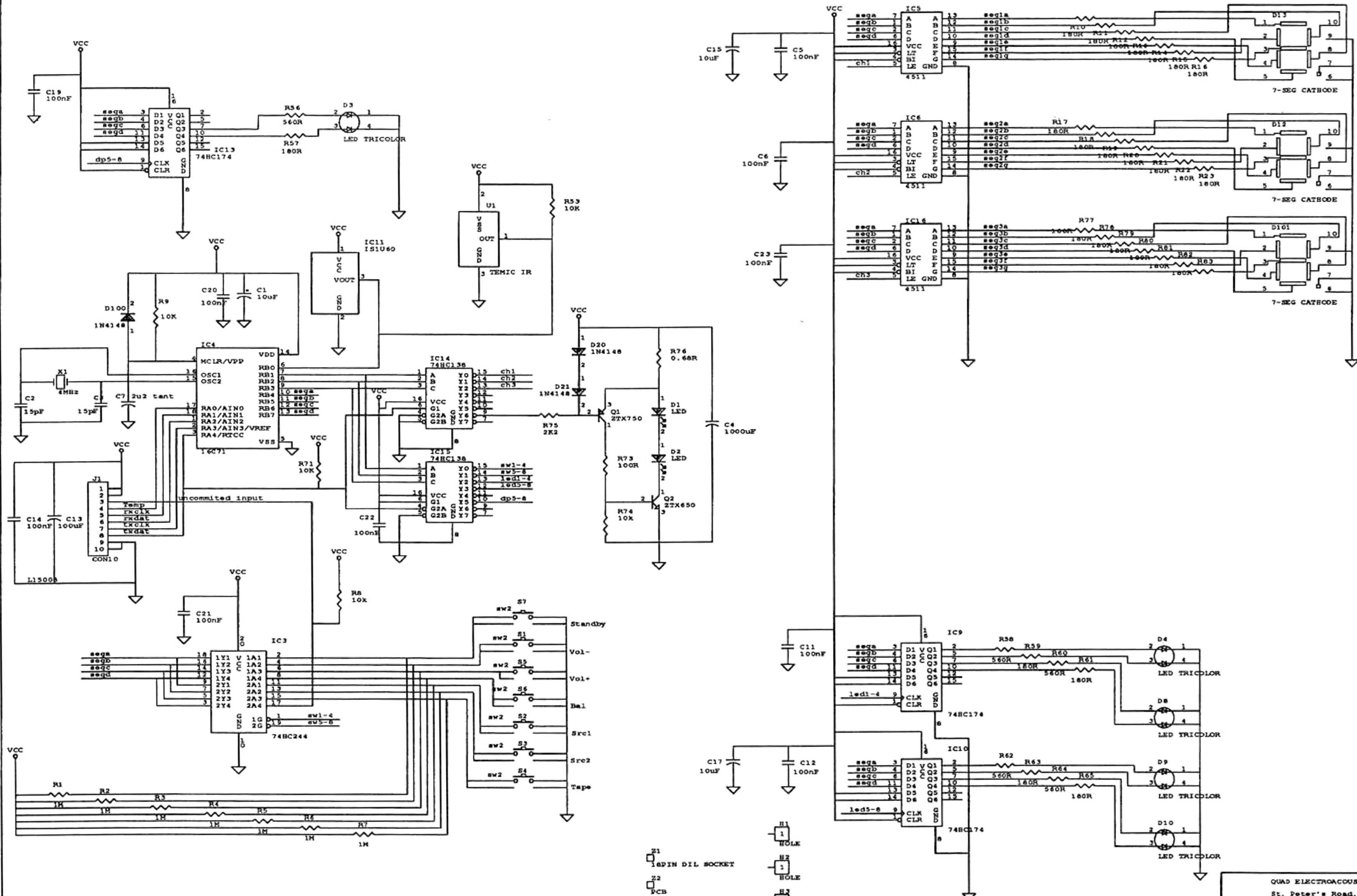
M1 M3 HOLE 1
M2 M3 HOLE 1
M3 M3 HOLE 1
M4 M3 HOLE 1
M5 M3 HOLE 1
HS1 TO220-HS 1

Import #m4154-a.sch to retrieve other mechanical parts below



Export these out temporarily when creating netlist!

QUAD ELECTROACOUSTICS Ltd.		
St. Peter's Road, HUNTINGDON CAMBRIDGESHIRE		
Title 77 SERIES PREAMP (MECH PARTS ON MAIN PCB)		
Size A4	Document Number #94154.SCH	REV 2
Date: December 8, 1995	Sheet	9 of 9



Z1
16PIN DIL SOCKET

Z2
PCB

- H1
HOLE
- H2
HOLE
- H3
HOLE
- HX1
HOLE

QUAD ELECTROACOUSTICS Ltd.
St. Peter's Road,
HUNTINGDON
CAMBRIDGESHIRE

Title
77 SERIES 7 BUTTON DISPLAY PCB (green)

Size Document Number
A2 CD4171

Date: May 1, 1996 Sheet 1 of 1