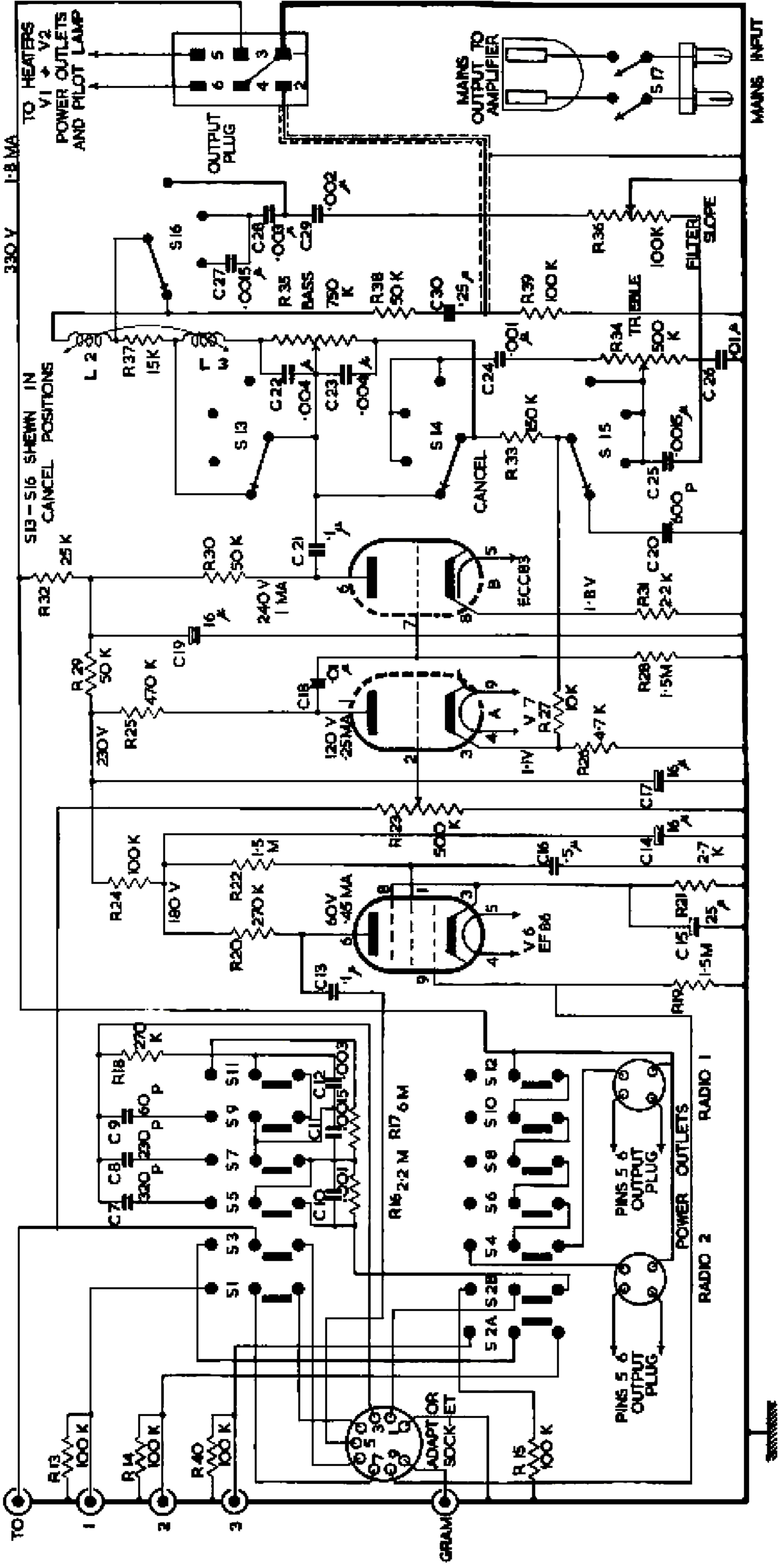


QUAD II CONTROL UNIT

S1 - S12 SHEWEN IN NEUTRAL POSITIONS



SWITCH GANGING - S1-S2A-S2B S3-S4 S5-S6 S7-S8 S9-S10 S11-S12 S13-S14-S15-S16

On early models switches T0 and 4, and switch contacts S9A were omitted.

Voltage shown on this diagram are those actually present and allowances must be made for the loading effect of the meter used when measurements are made.