

Book dated 1990  
 Amplifiers  
 Rec'd  
 14/1/93

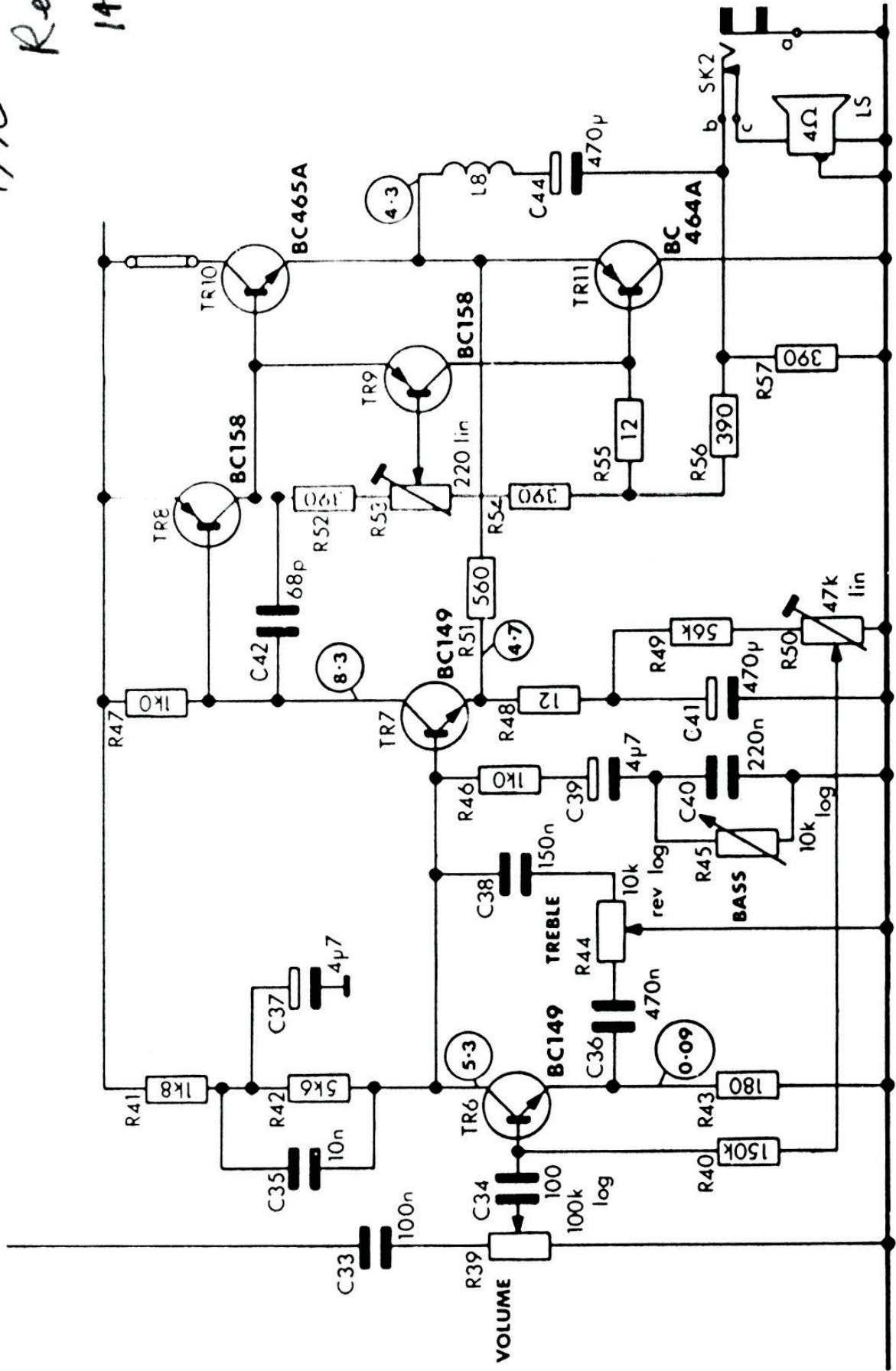


Figure 4.8 Circuit of a mono audio amplifier/output stage from a portable radio (Roberts Radio)