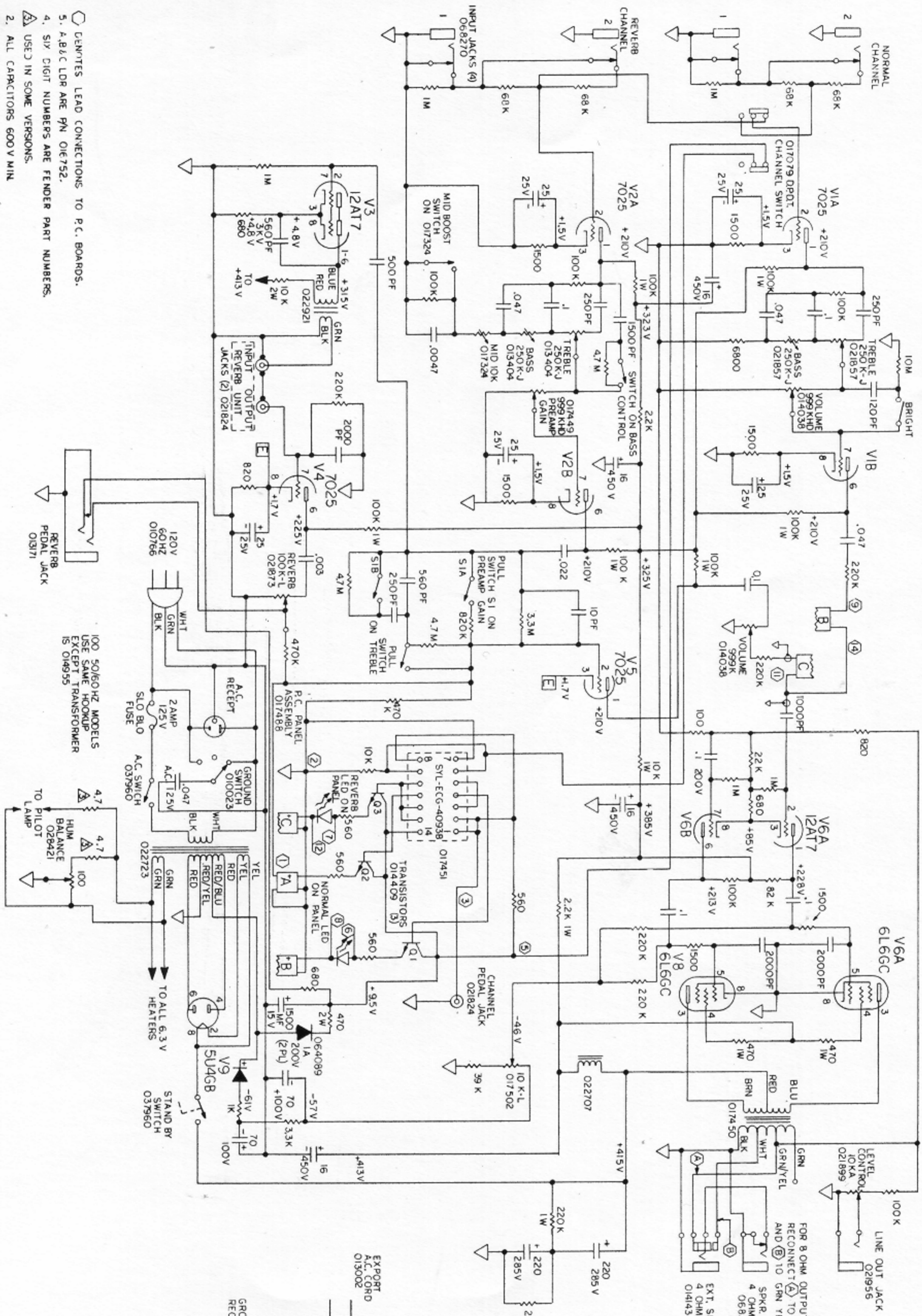
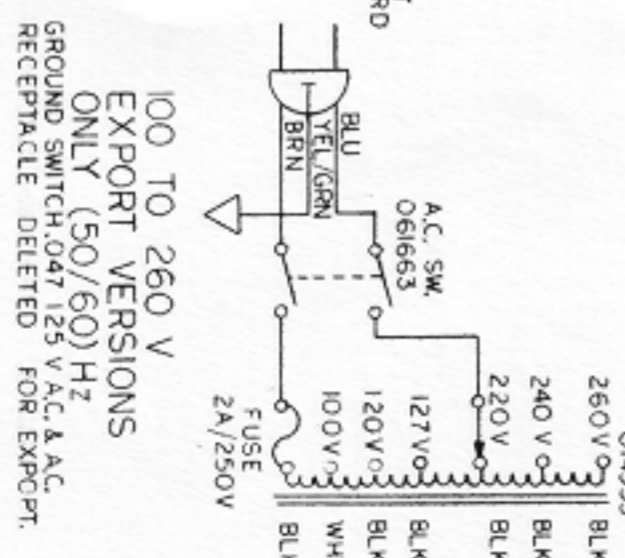


THIS PRODUCT MANUFACTURED UNDER ONE OR MORE OF THE FOLLOWING
 U.S. PATENTS # 2817708, # 2973681, # 192859 & PATENTS PENDING



- 1. ALL RESISTORS 1/2 WATT, ±10%
- 2. ALL CAPACITORS 600V MIN.
- 3. USED IN SOME VERSIONS.
- 4. SIX DIGIT NUMBERS ARE FENDER PART NUMBERS.
- 5. A, B, C LDR ARE PN 016752.
- 6. DIMENSIONS TO P.C. BOARDS.



Fender / Rodgers / Rhodes
 CBS MUSIC INSTRUMENTS - A DIVISION OF CBS, INC.
 1500 BROADWAY, PASADENA, CALIFORNIA 91101

SCHEMATIC - 30 WATTS DUAL CHANNEL
 DOMESTIC, EXPORT AND JAPAN

PART NO. **017452**
 REV. **D**