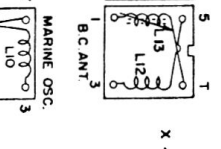
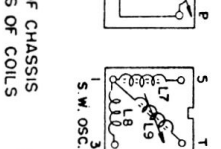
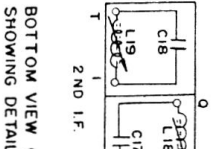
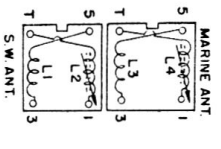
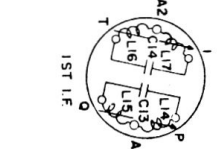
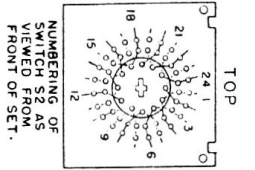
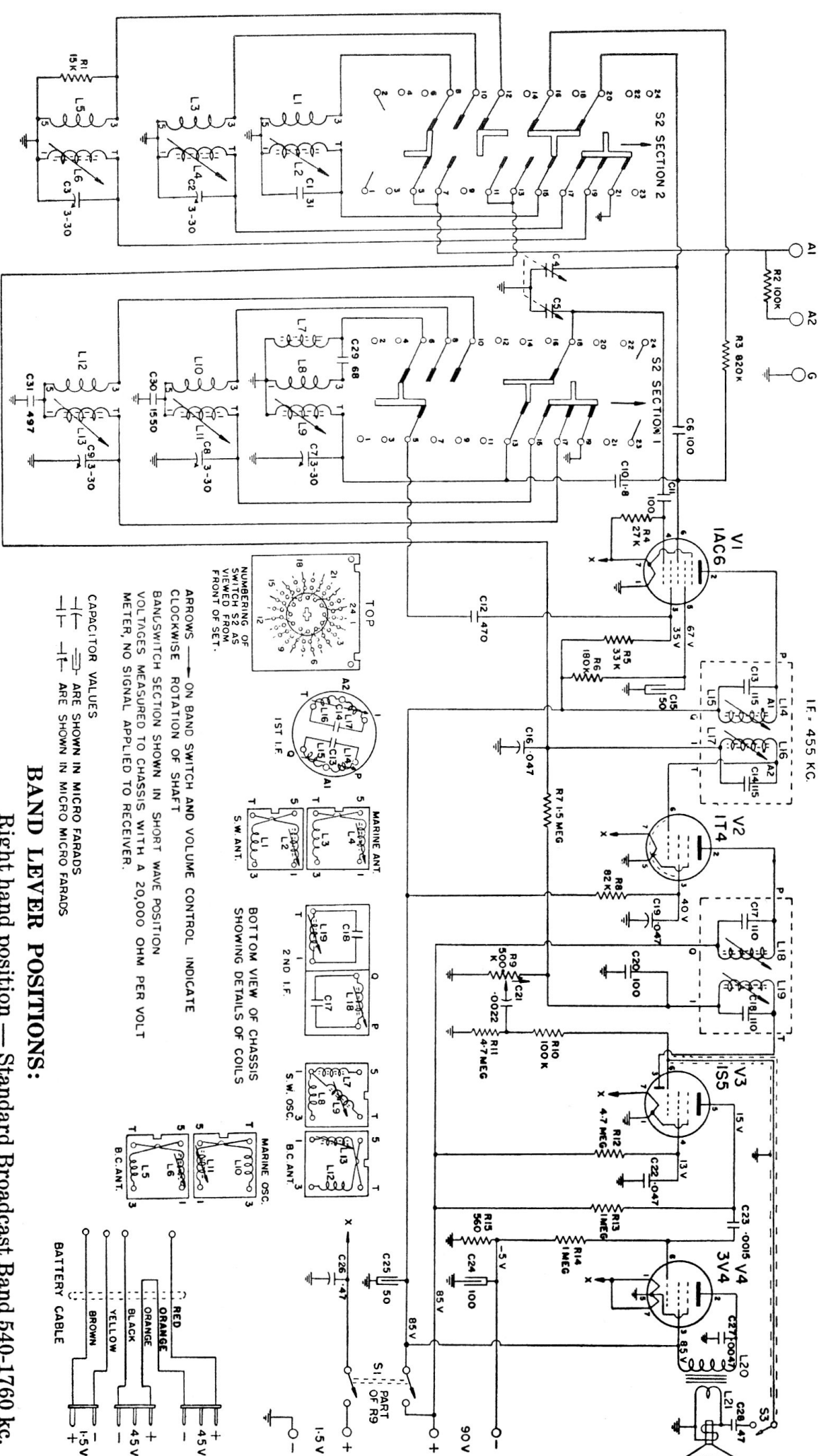
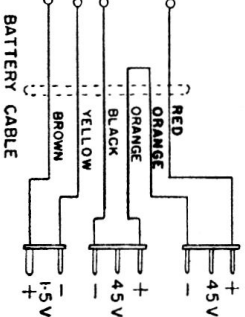


L	1	2	3	4	5	6	7	8	9	10	11	12	13	14	15	16	17	18	19	20	21
C	1	2	3	4	5	6	7	8	9	10	11	12	13	14	15	16	17	18	19	20	21
R	1	2	3	4	5	6	7	8	9	10	11	12	13	14	15	16	17	18	19	20	21



ARROWS — ON BAND SWITCH AND VOLUME CONTROL INDICATE CLOCKWISE ROTATION OF SHAFT
 BANDSWITCH SECTION SHOWN IN SHORT WAVE POSITION
 VOLTAGES MEASURED TO CHASSIS WITH A 20,000 OHM PER VOLT METER, NO SIGNAL APPLIED TO RECEIVER.

CAPACITOR VALUES
 ——— ARE SHOWN IN MICRO FARADS
 ——— ARE SHOWN IN MICRO MICRO FARADS



ROGERS TUBES

- V1 — IAC6 Converter
- V2 — 1T4 I.F. Amplifier
- V3 — 1S5 Diode Detector, A.V.C. and 1st A.F. Amplifier
- V4 — 3V4 Audio Output

**Rogers Majestic RM503
 Philips PH102**

INTERMEDIATE FREQUENCY: 455 Kc.
 Audio Output: 150 Milliwatts maximum.
 Loudspeaker Impedance: 4 Ohms at 400 c—approximately.

BAND LEVER POSITIONS:
 Right hand position — Standard Broadcast Band 540-1760 kc.
 Centre Position — Short wave Band 1.76-5.8 Mc.
 Left hand position — Short wave Band 5.8—18.2 Mc.

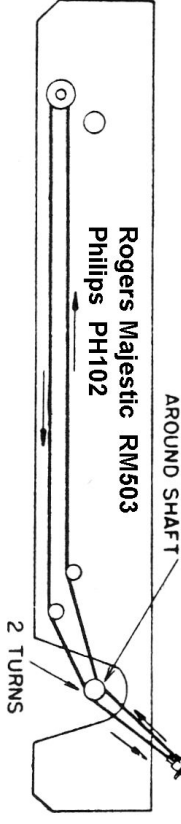
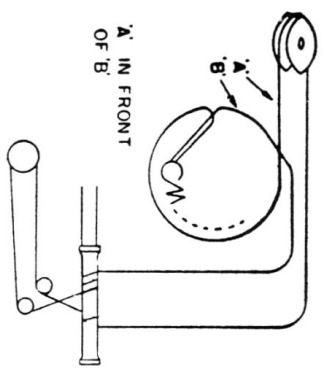
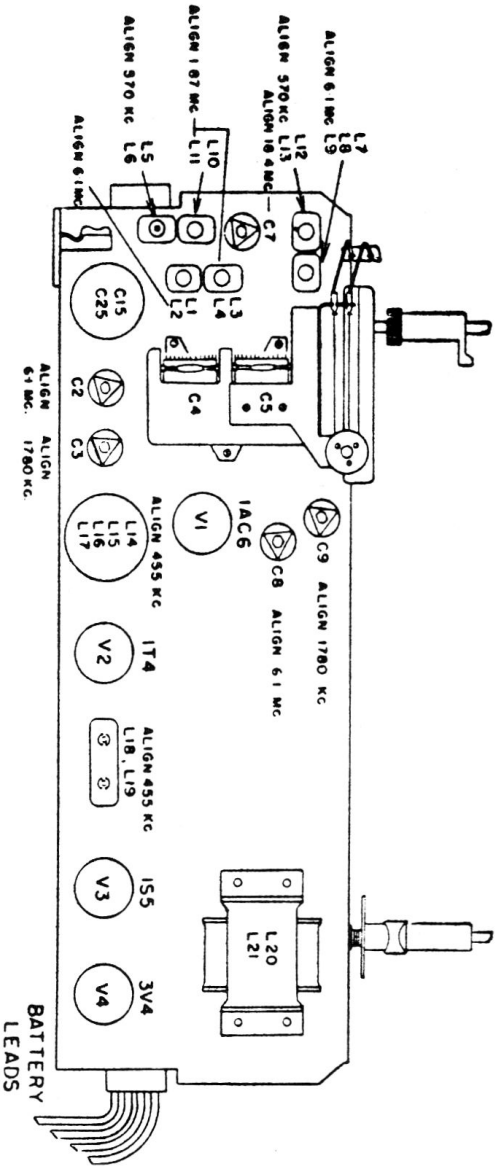
OPERATION STEPS	SIGNAL GENERATOR		RECEIVER			
	Output Connections To Receiver	Frequency	Band Switch	Tuning Capacitor	Notes	Adjust in Stated Order for Maximum Output
1	To IT4 Control Grid (Pin 6) through .05 mf Capacitor	455 kc.	Left Position	Min.		2nd IF. Trans. L18, L19
2	To Stator of C4 through .05 mf Capacitor.	455 kc.	Left Position	Min.	A	1st I.F. Transformer L14, L15, and L16, L17
3	To A1 Contact * through .05 mf Capacitor	18.4 mc.	Right Position	Min.	B	S.W. Osc. Trimmer C7
4	To A1 Contact * through .05 mf Capacitor	6.1 mc.	Right Position	6.1 mc.	C	S.W. Osc. Coil L9 S.W. Ant. Coil L2
5	To A1 Contact * through .05 mf Capacitor	6.1 mc.	Centre Position	Min.	B	S.W. Osc. Trimmer C8 S.W. Ant. Trimmer C2
6	To A1 Contact * through .05 mf Capacitor	1.8 mc.	Centre Position	1.8 mc.	C	S.W. Osc. Coil L11 S.W. Ant. Coil L4
7	To A1 Contact * through .05 mf Capacitor	1780 kc.	Left Position	Min.		B.C. Osc. Trimmer C3 B.C. Ant. Trimmer C9
8	To A1 Contact * through .05 mf Capacitor	570 kc.	Left Position	570 kc.	C	B.C. Osc. Coil L6 B.C. Ant. Coil L13

* or a standard dummy antenna

NOTE A: After operation 2 has been completed, do not make any further adjustments to L18, L19.

NOTE B: Unscrew S.W. Oscillator Trimmer approximately 2 turns from tight. Then turn adjustment clockwise until first output peak is obtained. Make adjustments using this peak.

NOTE C: After completing operation, repeat previous operation then re-adjust.



GANG CONDENSER AT MAXIMUM CAPACITY (CLOSED). DIAL DRUM IN POSITION SHOWN. COILS OF SPRING EXTENDED TO 1 1/2".

Rogers Majestic RM503 Philips PH102