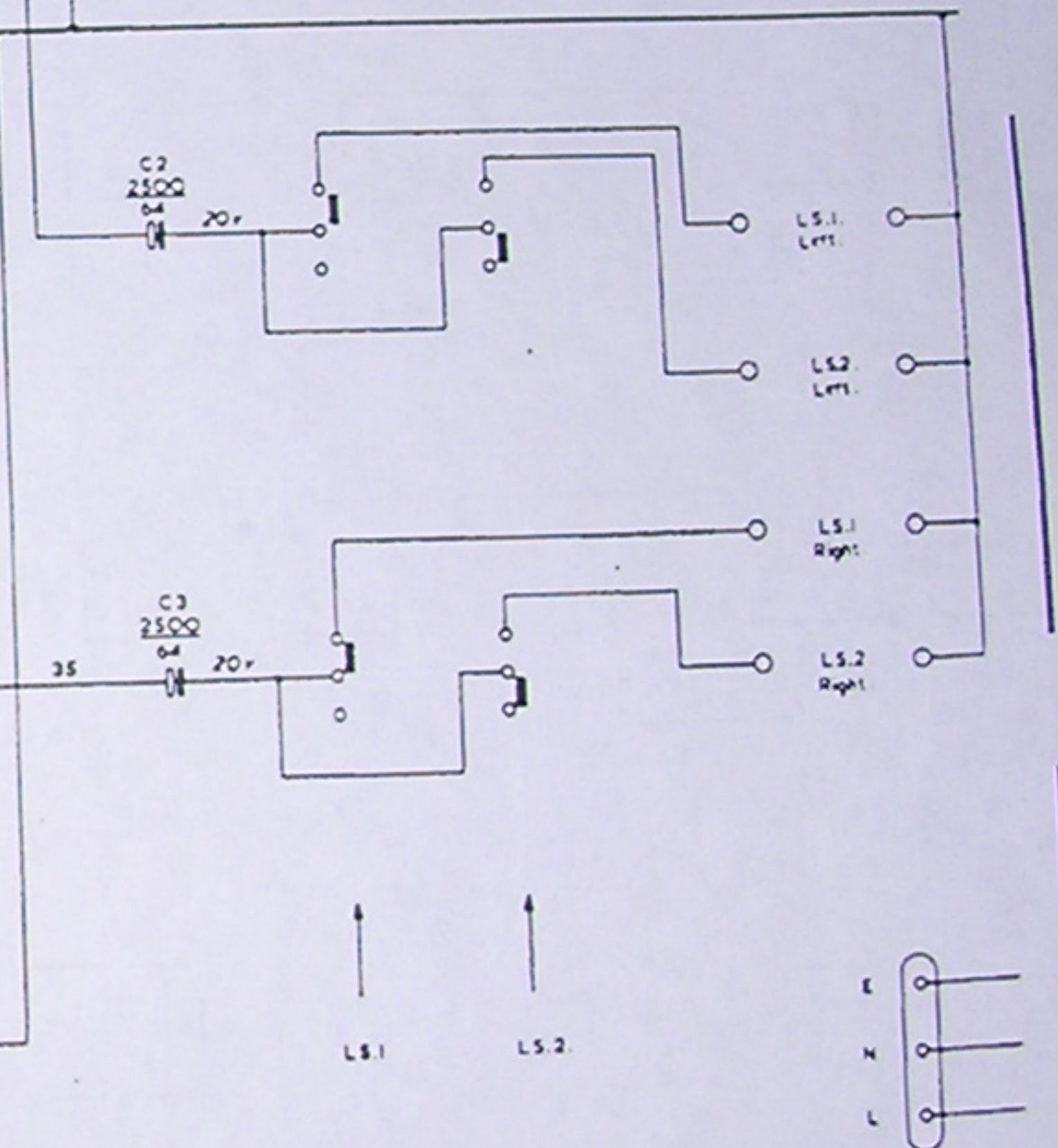
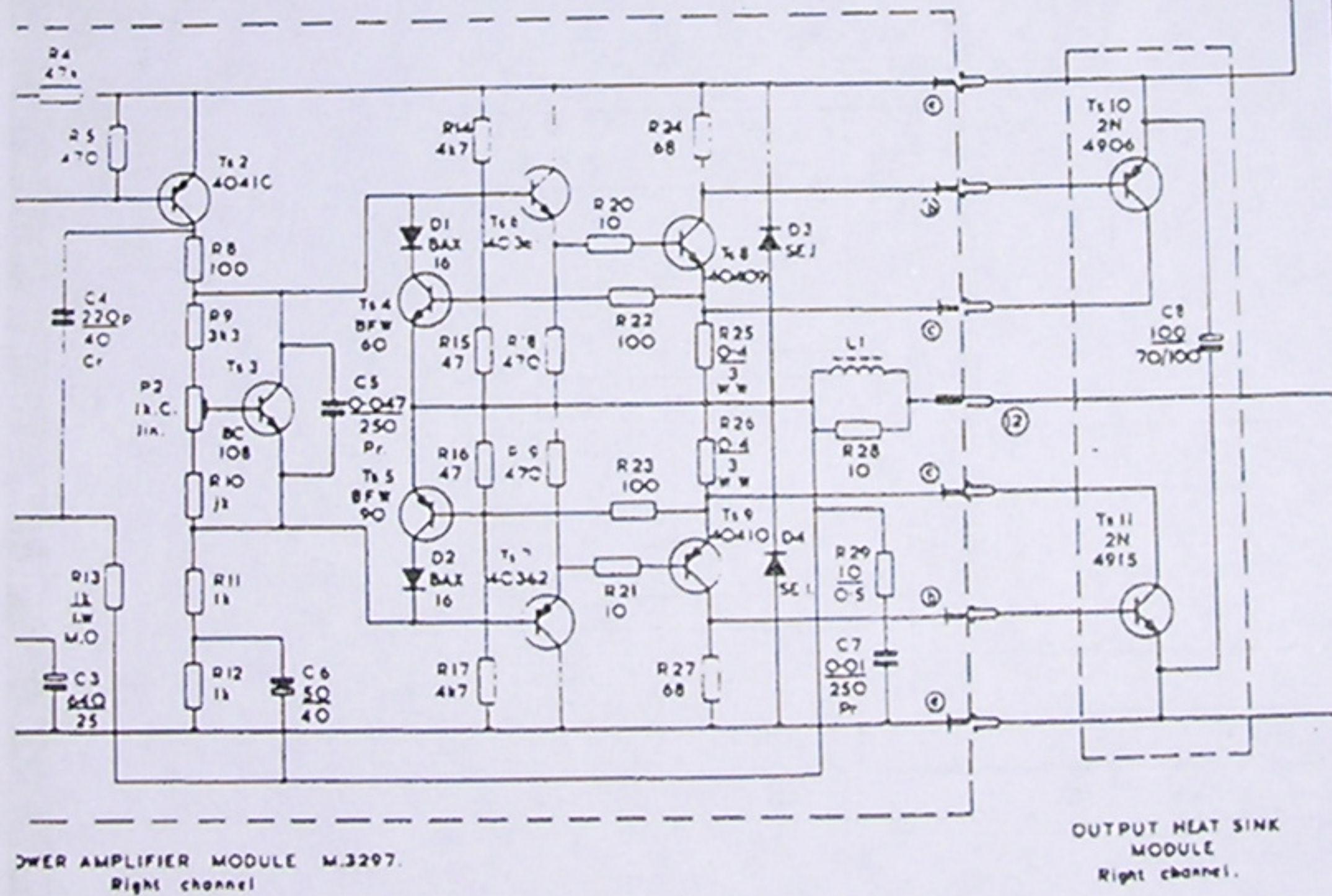
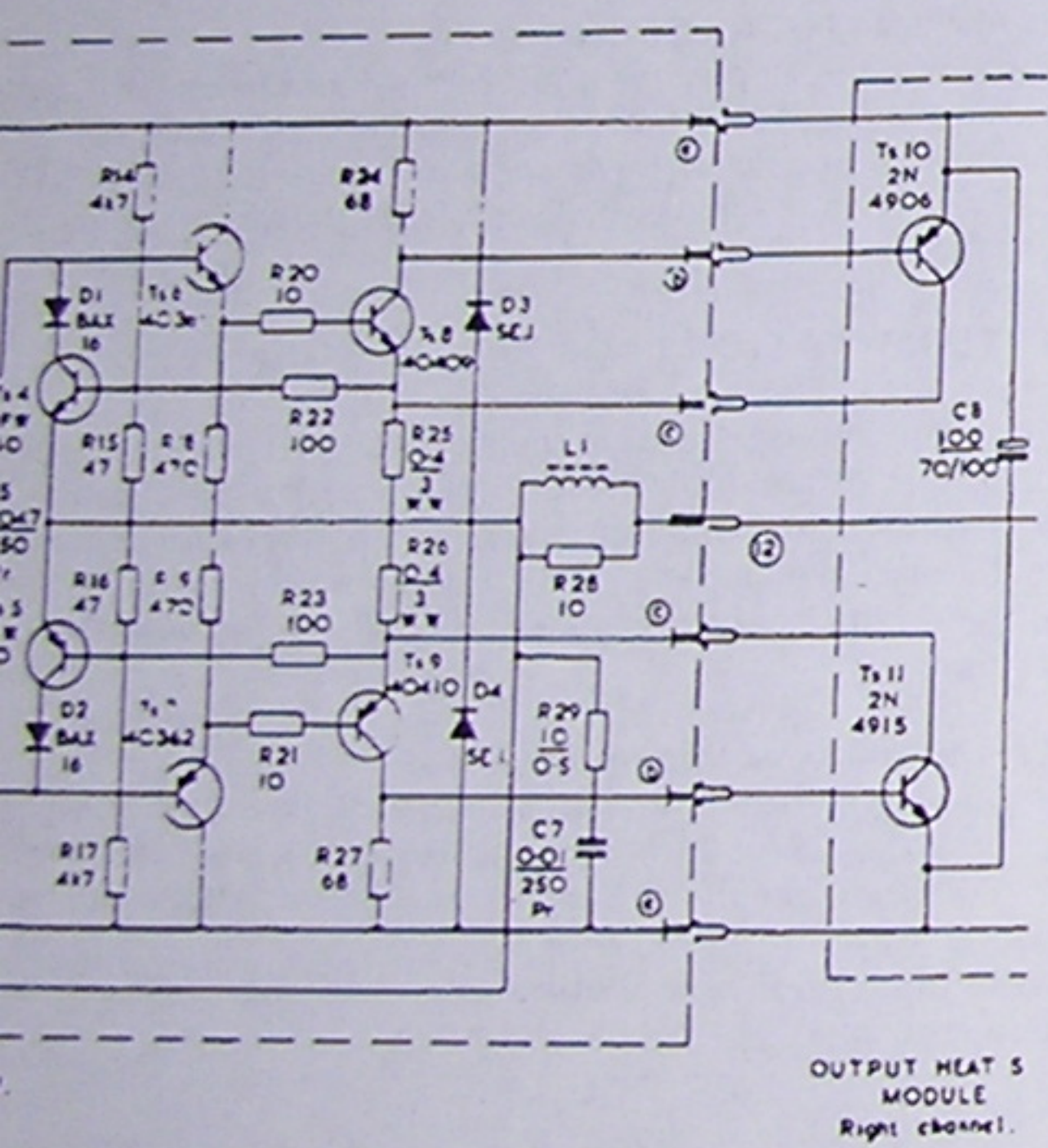
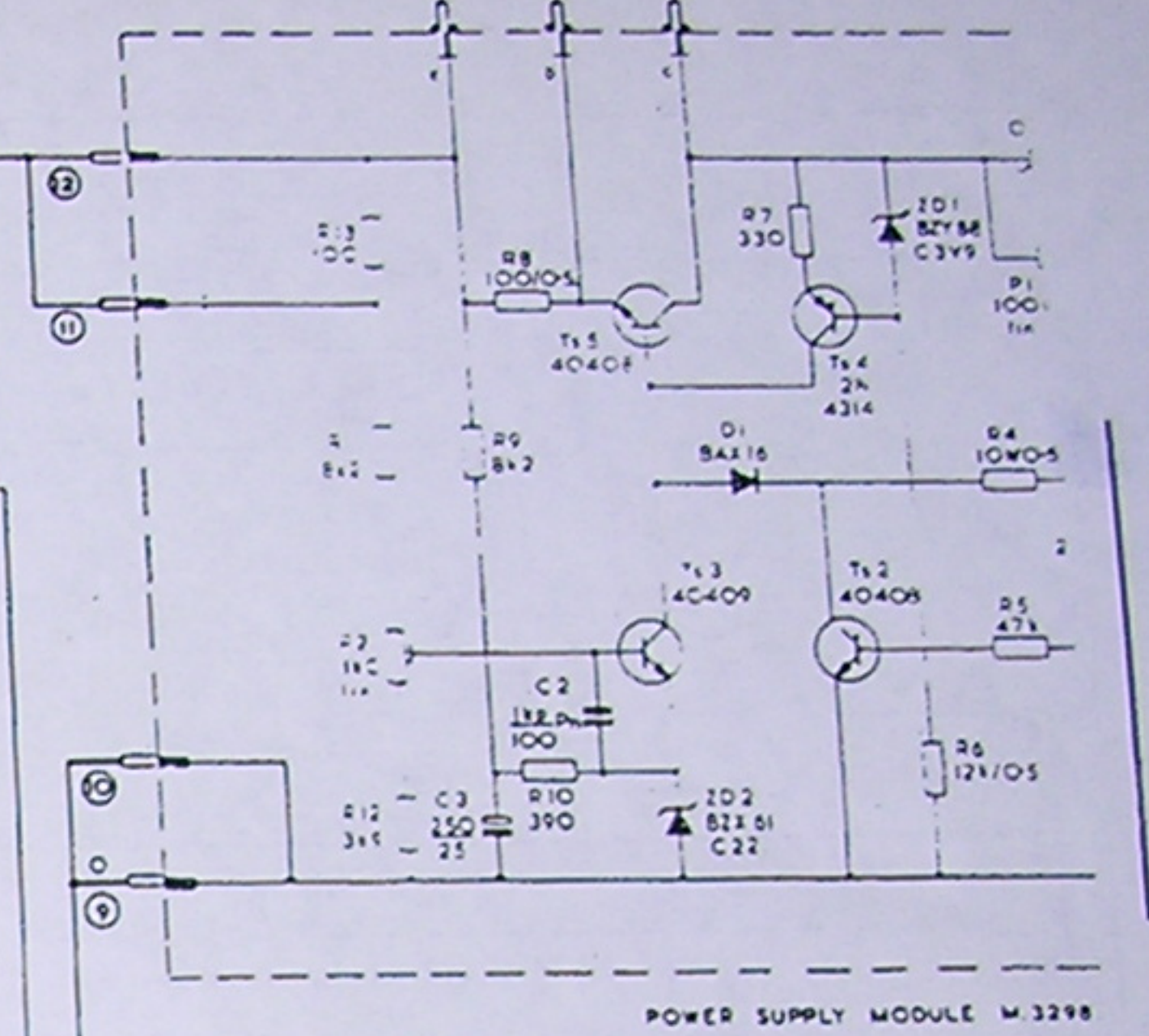
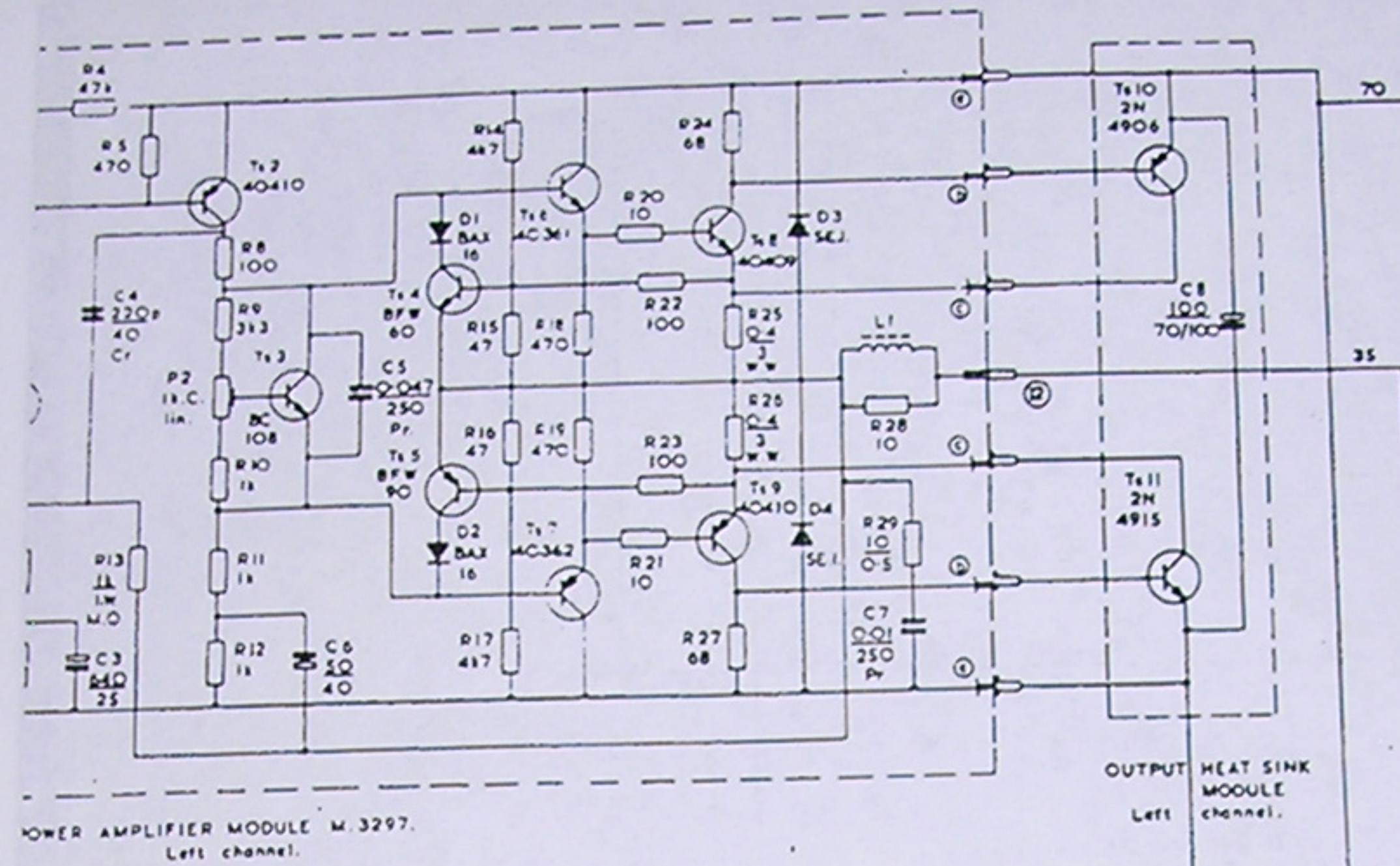
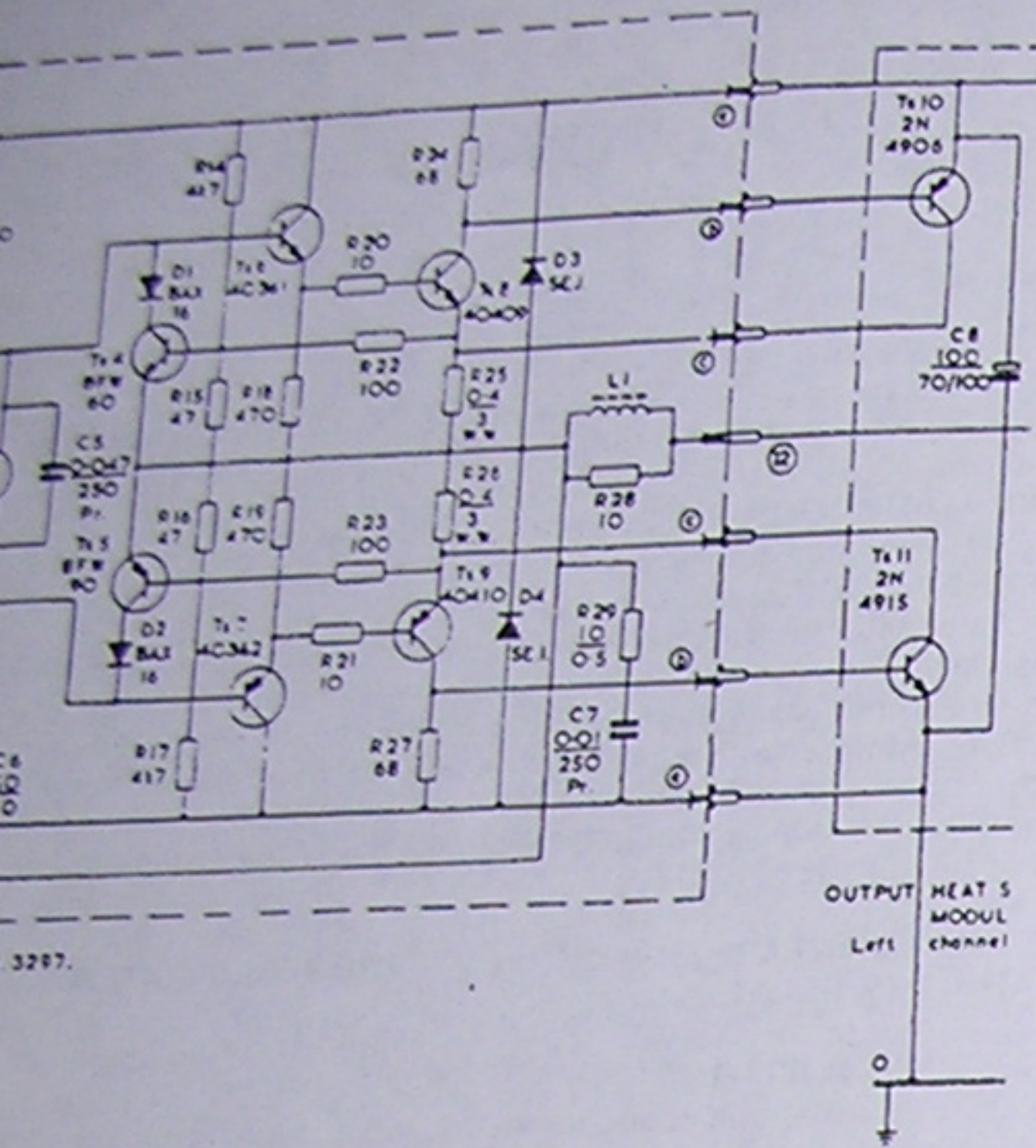
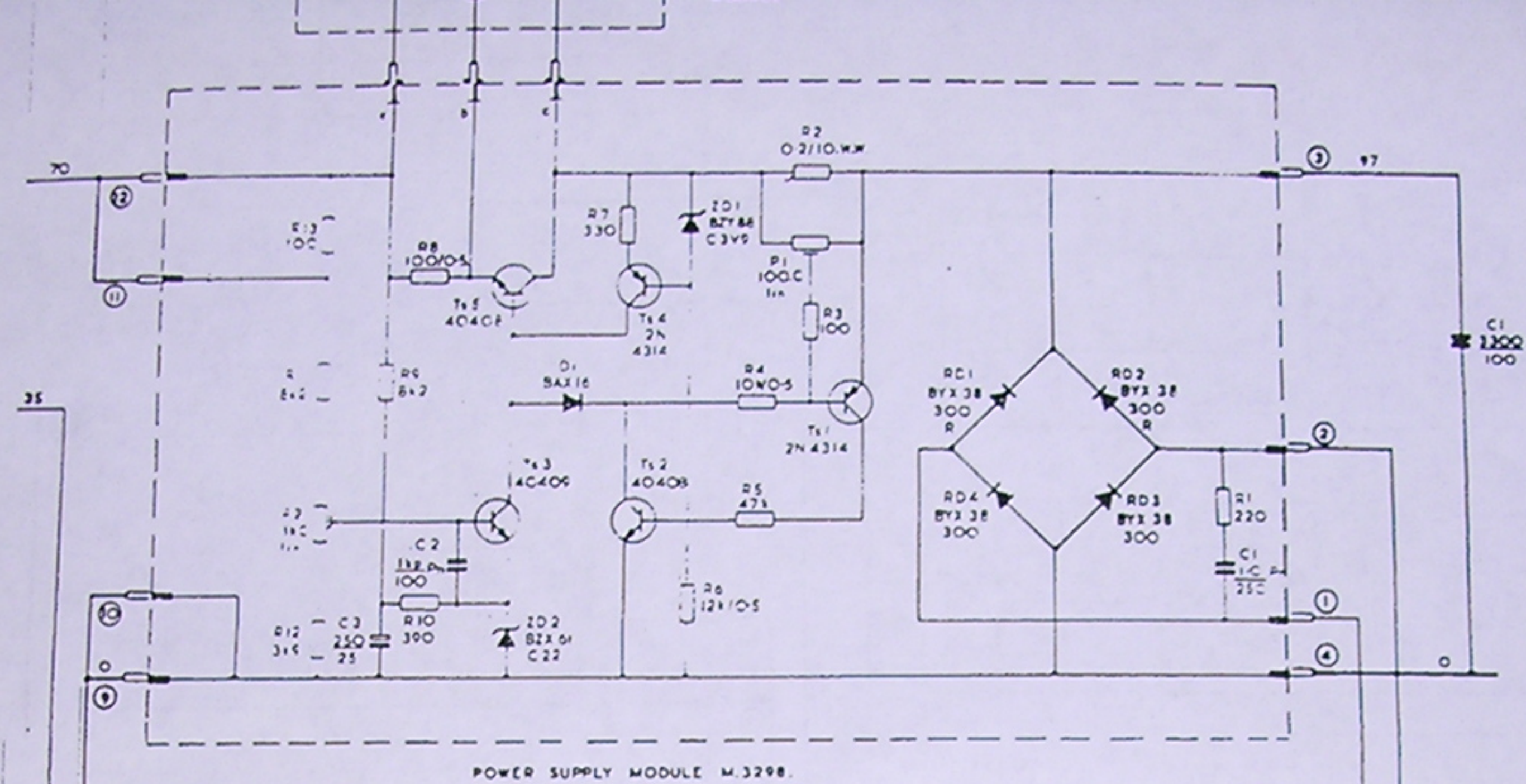


LOW Z



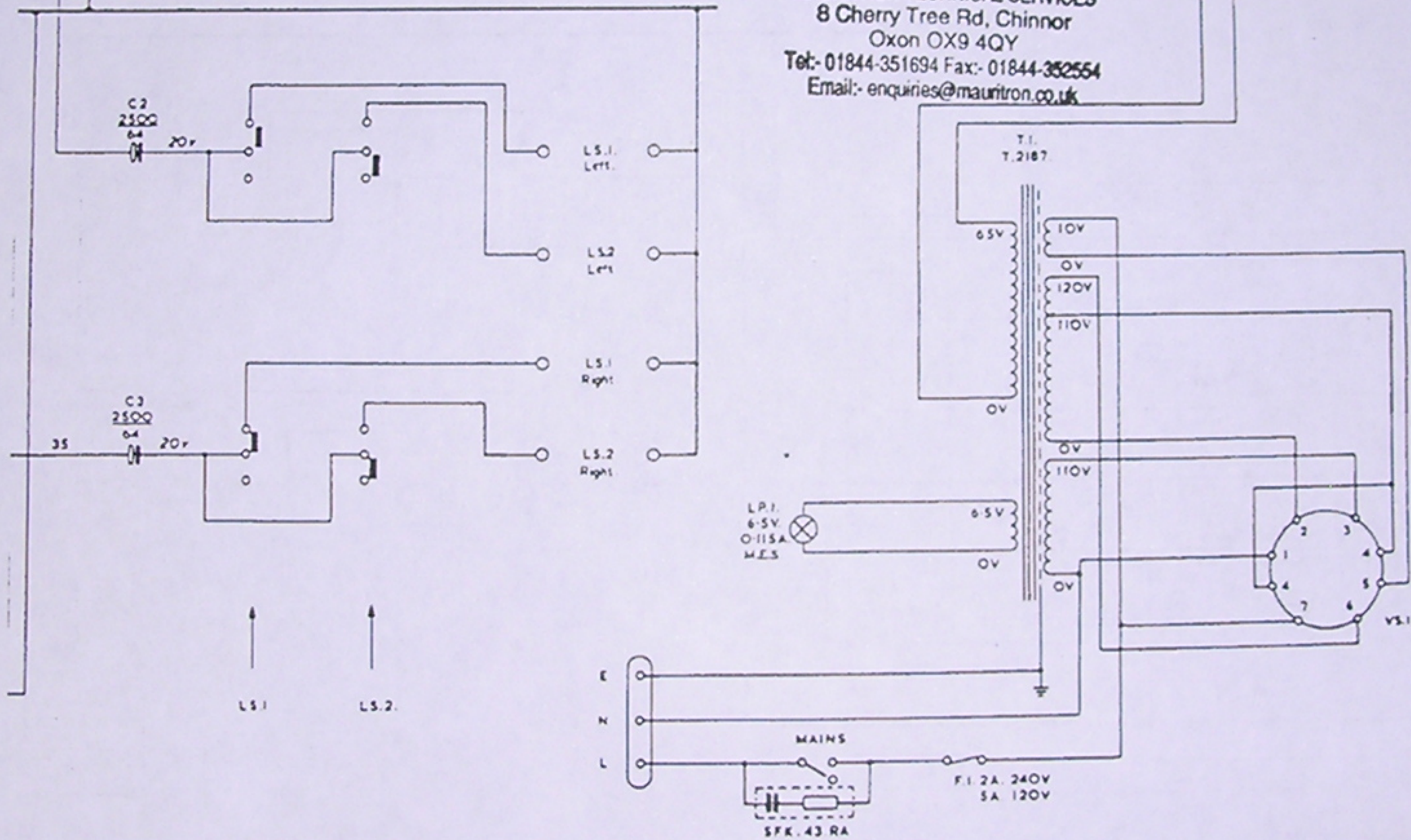
Ⓞ Denotes PC card edge contact, & number.
— Denotes pin contact.

All voltages measured with 20kΩ per volt meter.
D.C. volts measured with respect to earth.
Signal volts measured with A.C. V.V.
All components with suffix 'b' used on 'B' (line) version only.



POWER SUPPLY MODULE M.3298.

For Service Manuals Contact
MAURITRON TECHNICAL SERVICES
 8 Cherry Tree Rd, Chinnor
 Oxon OX9 4QY
 Tel: 01844-351694 Fax: 01844-352554
 Email: enquiries@mauritron.co.uk



ⓐ Denotes P.C. card edge contact & number.

ⓑ Denotes pin contact.

All voltages measured with 20kΩ per volt meter.
 D.C. volts measured with respect to earth.
 Signal volts measured with A.C. V.V.
 All components with suffix 'b' used on 'B' (line) version only.