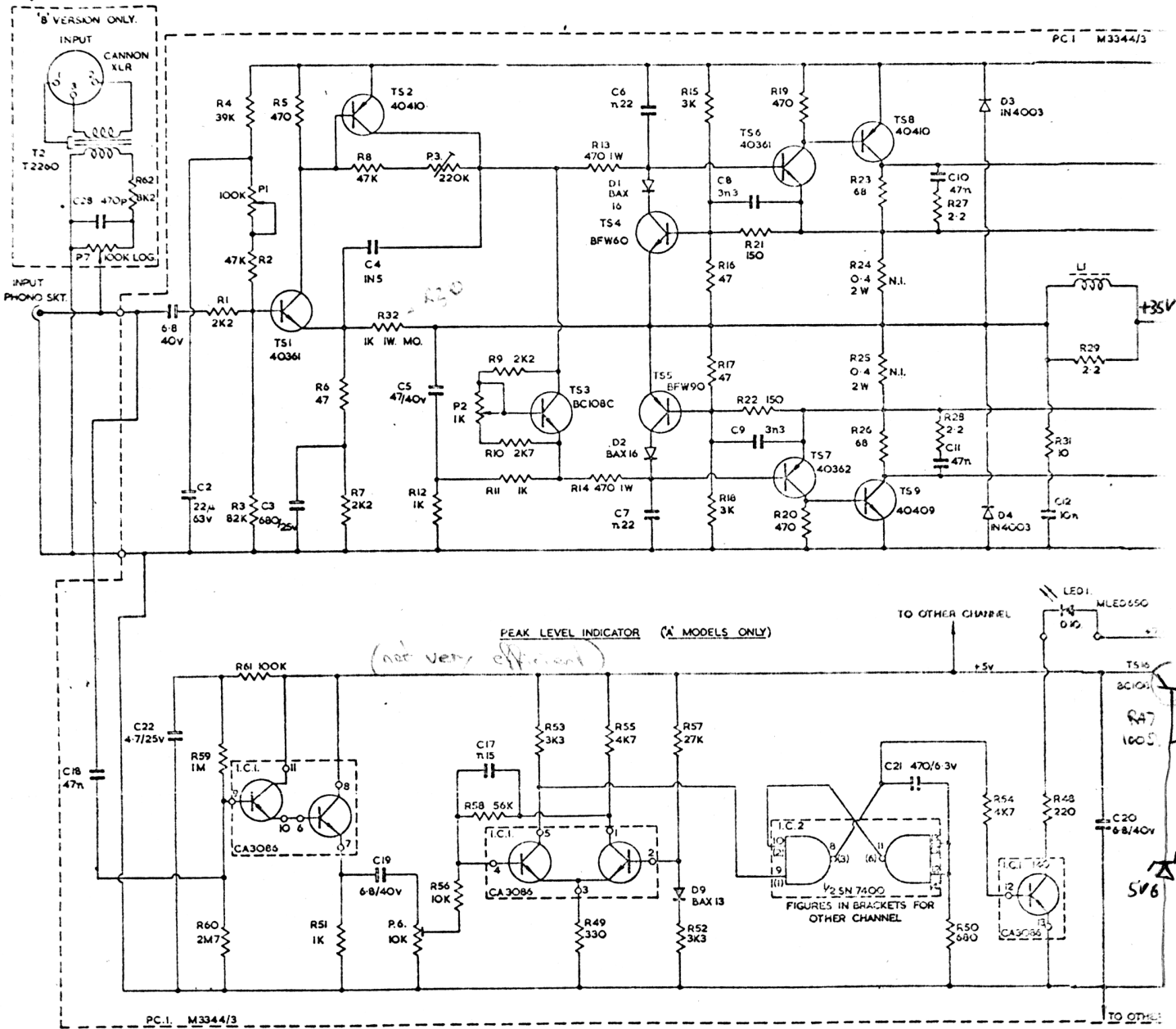


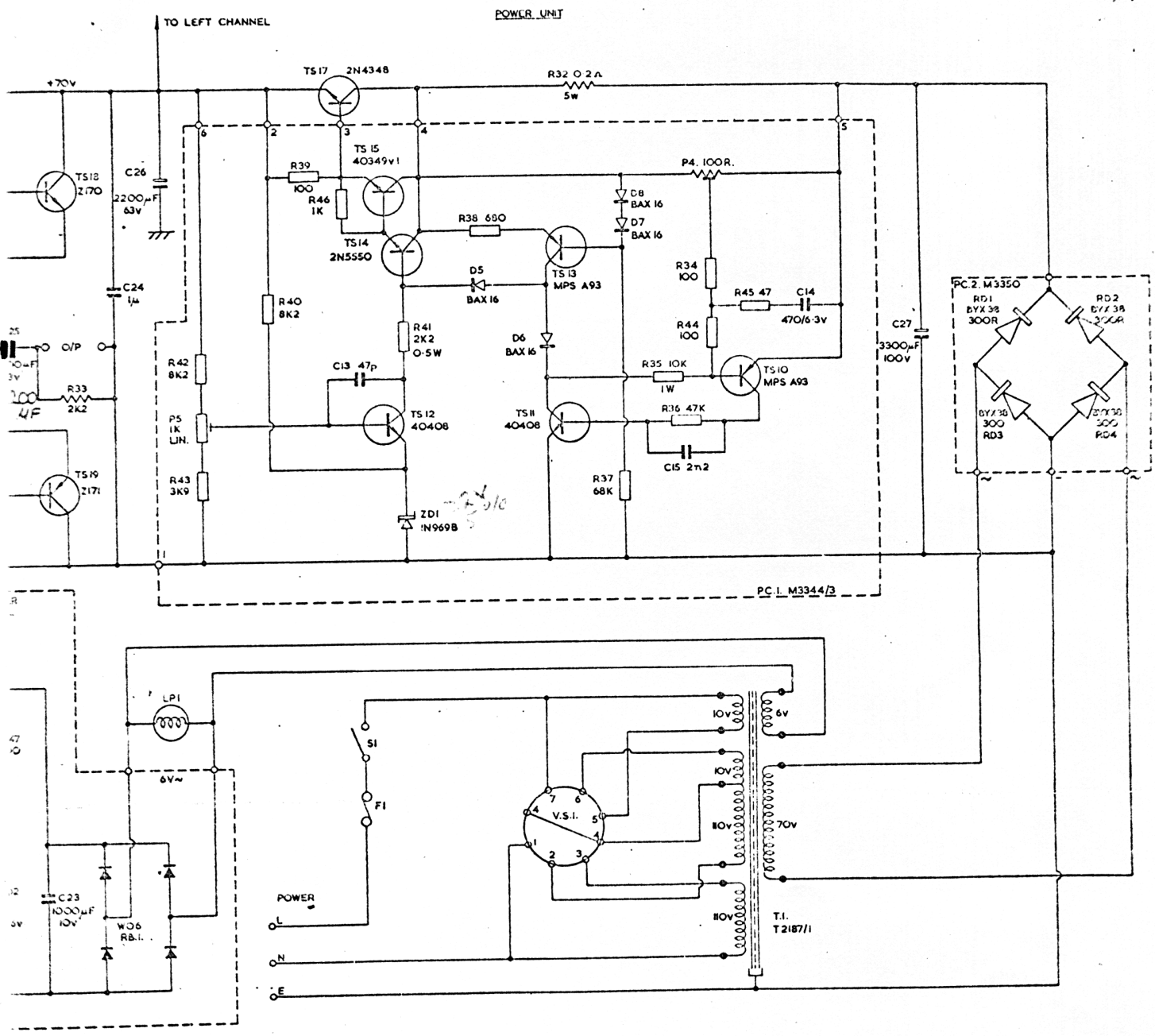
RADFORD SPA 60

RIGHT CHANNEL AMPLIFIER



Dwg Ref.	Part No.	Description	Dwg Ref.	Part No.	Description	Dwg Ref.	Part No.	Description	Dwg Ref.		
Resistors			Resistors			Resistors			Capacitors		
R1/a	R1719	C.F. 0.25w 2k2 5%	R22/a	R1753	C.F. 0.25w 150 5%	R43	R1747	C.F. 0.25w 3k9 5%	C1/a	C	
R2/a	R1734	C.F. 0.25w 47k 5%	R23/a	R1754	C.F. 0.25w 68 5%	R44	R1712	C.F. 0.25w 100 5%	C2/a	C	
R3/a	R1749	C.F. 0.25w 82k 5%	R24/a	R1756	N.I. 3w 0.4 5%	R45	R1750	C.F. 0.25w 47 5%	C3/a	C	
R4/a	R1762	C.F. 0.25w 77k 5%	R25/a	R1756	N.I. 3w 0.4 5%	R46	R1731	C.F. 0.25w 1k 5%	C4/a	C	
R5/a	R1716	C.F. 0.25w 470 5%	R26/a	R1754	C.F. 0.25w 68 5%	R47	R1712	C.F. 0.25w 100 5%	C5/a	C	
R6/a	R1750	C.F. 0.25w 47 5%	R27/a	R1777	C.F. 0.25w 2.2 5%	R48/a	R1746	C.F. 0.25w 220 5%	C6/a	C	
R7/a	R1719	C.F. 0.25w 2k2 5%	R28/a	R1777	C.F. 0.25w 2.2 5%	R49/a	R1714	C.F. 0.25w 330 5%	C7/a	C	
R8/a	R1734	C.F. 0.25w 47k 5%	R29/a	R1777	C.F. 0.25w 2.2 5%	R50/a	R1738	C.F. 0.25w 680 5%	C8/a	C	
R9/a	R1719	C.F. 0.25w 2k2 5%	R30/a	R1777	C.F. 0.25w 2.2 5%	R51/a	R1731	C.F. 0.25w 1k 5%	C9/a	C	
R10/a	R1795	C.F. 0.25w 2k7 5%	R31/a	R1755	C.F. 0.25w 10 5%	R52/a	R1751	C.F. 0.25w 3k3 5%	C10/a	C	
R11/a	R1731	C.F. 0.25w 1k 5%	R32	R1748	C.F. 0.25w 10k 5%	R53/a	R1751	C.F. 0.25w 3k3 5%	C11/a	C	
R12/a	R1731	C.F. 0.25w 1k 5%	R33/a	R1719	C.F. 0.25w 2k2 5%	R54/a	R1743	C.F. 0.25w 1k7 5%	C12/a	C	
R13/a	R1557	C.F. 1w 470 10%	R34	R1712	C.F. 0.25w 100 5%	R55/a	R1743	C.F. 0.25w 4k7 5%	C13	C	
R14/a	R1557	C.F. 1w 470 10%	R35	R1794	C.F. 1w 10k 5%	R56/a	R1796	C.F. 0.25w 10k 5%	C14	C	
R15/a	R1703	M.O. 0.5w 3k 2%	R36	R1734	C.F. 0.25w 47k 5%	R57/a	R1760	C.F. 0.25w 27k 5%	C15	C	
R16/a	R1750	C.F. 0.25w 47 5%	R37	R1725	C.F. 0.25w 68k 5%	R58/a	R1744	C.F. 0.25w 56k 5%	C16	C	
R17/a	R1750	C.F. 0.25w 47 5%	R38	R1718	C.F. 0.25w 680 5%	R59/a	R1759	C.F. 0.25w 1M 5%	C17/a	C	
R18/a	R1703	M.O. 0.5w 3k 2%	R39	R1712	C.F. 0.25w 100 5%	R60/a	R1745	C.F. 0.25w 2M7 5%	C18/a	C	
R19/a	R1716	C.F. 0.25w 470 5%	R40	R1732	C.F. 0.25w 8k2 5%	R61/a	R1726	C.F. 0.25w 100k 5%	C19/a	C	
R20/a	R1716	C.F. 0.25w 470 5%	R41	R1525	C.F. 0.5w 2k2 5%	R62/a	R1732	C.F. 0.25w 8k2 5%	C20	C	
R21/a	R1753	C.F. 0.25w 150 5%	R42	R1732	C.F. 0.25w 8k2 5%				C21/a	C	

22V
IN 969 20
A 10
B. 5



Description	Dwg Ref.	Part No.	Description	Dwg Ref.	Part No.	Description	Dwg Ref.	Part No.	Description
40v 6.8u	C22/a	C1323A	E 40v 6.8u	TS14	TS4572	2N5550	RB1	RD7855	W005
63v 220u	C23	C1239	E 10v 1000u	TS15	TS4573	40349V1	RD1	RD7838	BYX38 300R
25v 680u	C24/a	C1282	Pr 250v 1u	TS16	TS4540	BC108	RD2	RD7838	ZYX38 300R
125v 1n5	C25/a	C1375	E 63v 2200u	TS17	TS4542	2N4348	RD3	RD7837	BYX38 300
40v 47u	C26	C1375	E 63v 2200u	TS18	TS4569	Z170	RD4	RD7837	BYX38 300
63v n22	C27	C1241	E 100v 3300u	TS19	TS4570	Z171	Misc.		
63v n22	C28/a	C1266	Pn 100v 470p	I.C.1/a	IC5	CA3086	P1/a	P6076	C 100k LIN
125v 3n3				I.C.2	IC6	SN7400	P2/a	P6045	C 1k LIN
125v 3n3				Diodes			P3/a	P6077	C 220k LIN
100v 47n	TS1/a	TR4516	40361	D.1/a	RD7832	BAX16	P4	P6039	C 100 LIN
100v 47n	TS2/a	TS4535	40410	D2/a	RD7832	BAX16	P5	P6045	C 1k LIN
100v 47n	TS3/a	TS4540	BC108	D.3/a	RD7848	IN4003	P6/a	P6029	C 10k LIN
100v 10n	TS4/a	TS4536	BFW60	D.4/a	RD7848	IN4003	P7/a		C 100k LOG
63v 47p	TS5/a	TS4537	BFW90	D5	RD7832	BAX16	T.1.		T2187/1
6.3v 470u	TS6/a	TR4516	40361	D6	RD7832	BAX16	T.2.		T2260
500v 2n2	TS7/a	TR4517	40362	D7	RD7832	BAX16	L.1.		G64
	TS8/a	TS4535	40410	D8	RD7832	BAX16	S.1.	S2539	ON/OFF SWITCH
63v n15	TS9/a	TS4534	40409	D9	RD7833	BAX13	V.S.1.	GSS	VOLTAGE SELECTOR
100v 47n	TS10	TS4571	MPSA93	D10/a	RD7858	MLED650	L.P.1.	L7400	LAMP 6.3V 0.115A
40v 6.8u	TS11	TS4533	40408	ZD1	RD7879	IN969B	F.1.	F7011	FUSE HOLDER
40v 6.8u	TS12	TS4533	40408	ZD2	RD7859	BZY88 5V6	F.1.	F7016	FUSE 2A
6.3v 47u	TS13	TS4571	MPSA93						