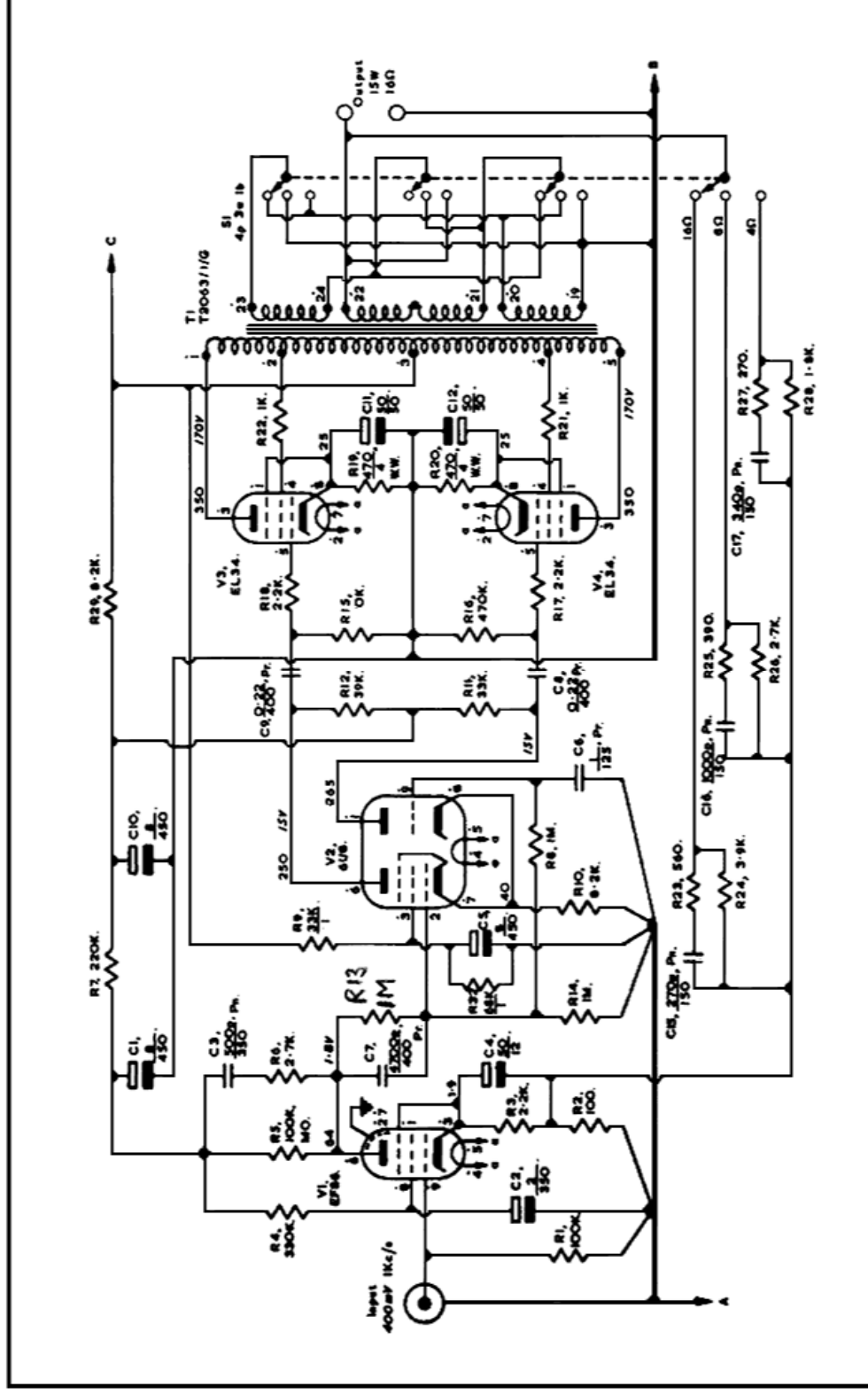
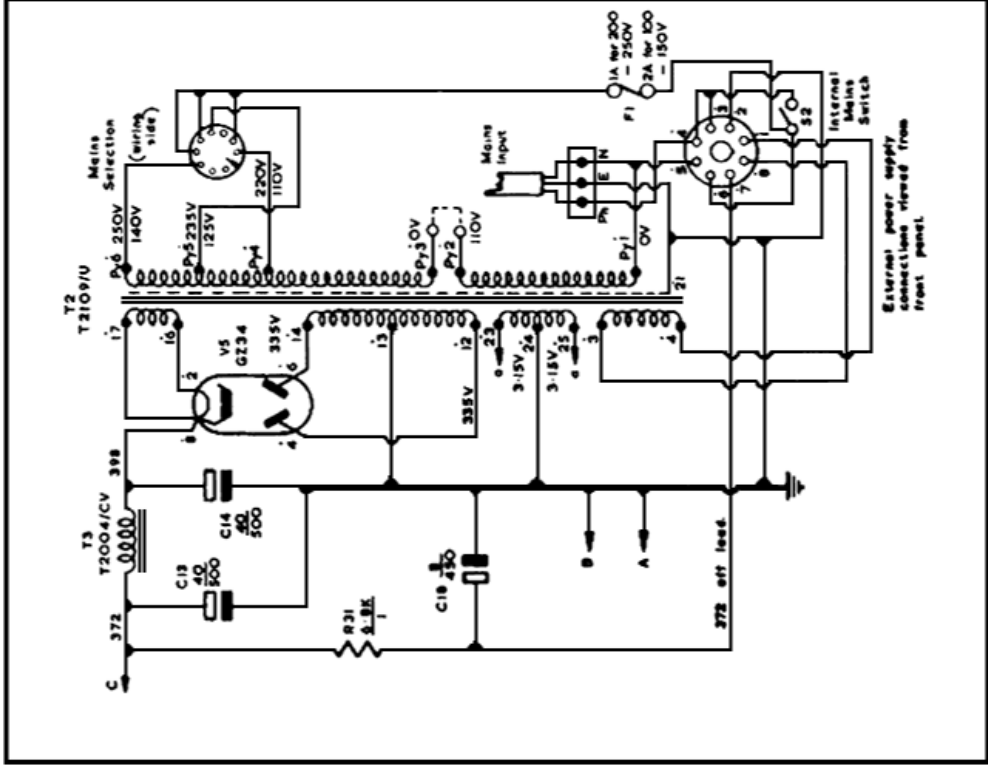


BASIC AMPLIFIER CIRCUIT

15 WATTS



MA 15



POWER SUPPLY

STA 15

