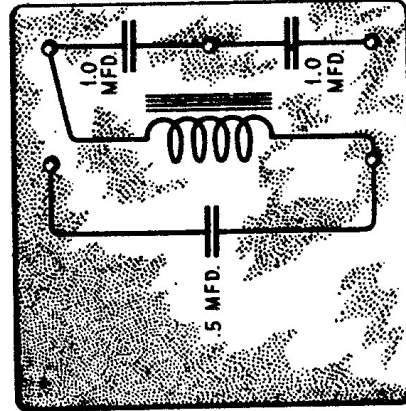
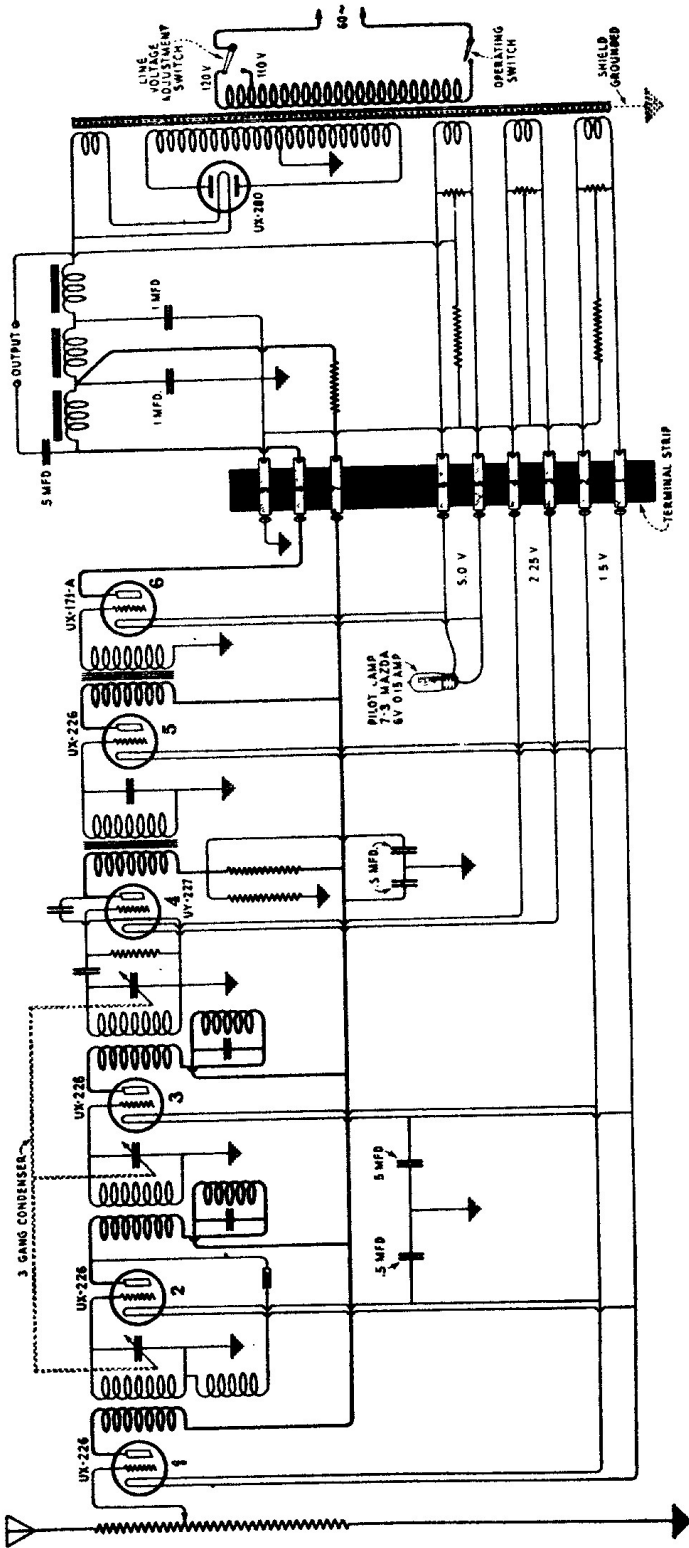


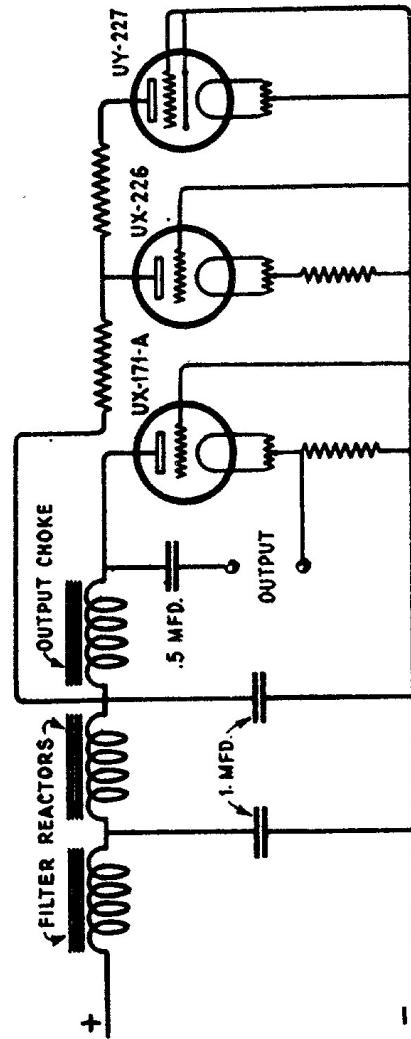
# MANUAL OF MOST-OFTEN-NEEDED RADIO DIAGRAMS

## RCA RADIOLA 18

(105-125 Volts, 50-60 Cycle A.C.)



*Internal connections of condensers.*



*Schematic circuit illustrating method of obtaining grid and plate voltages.*