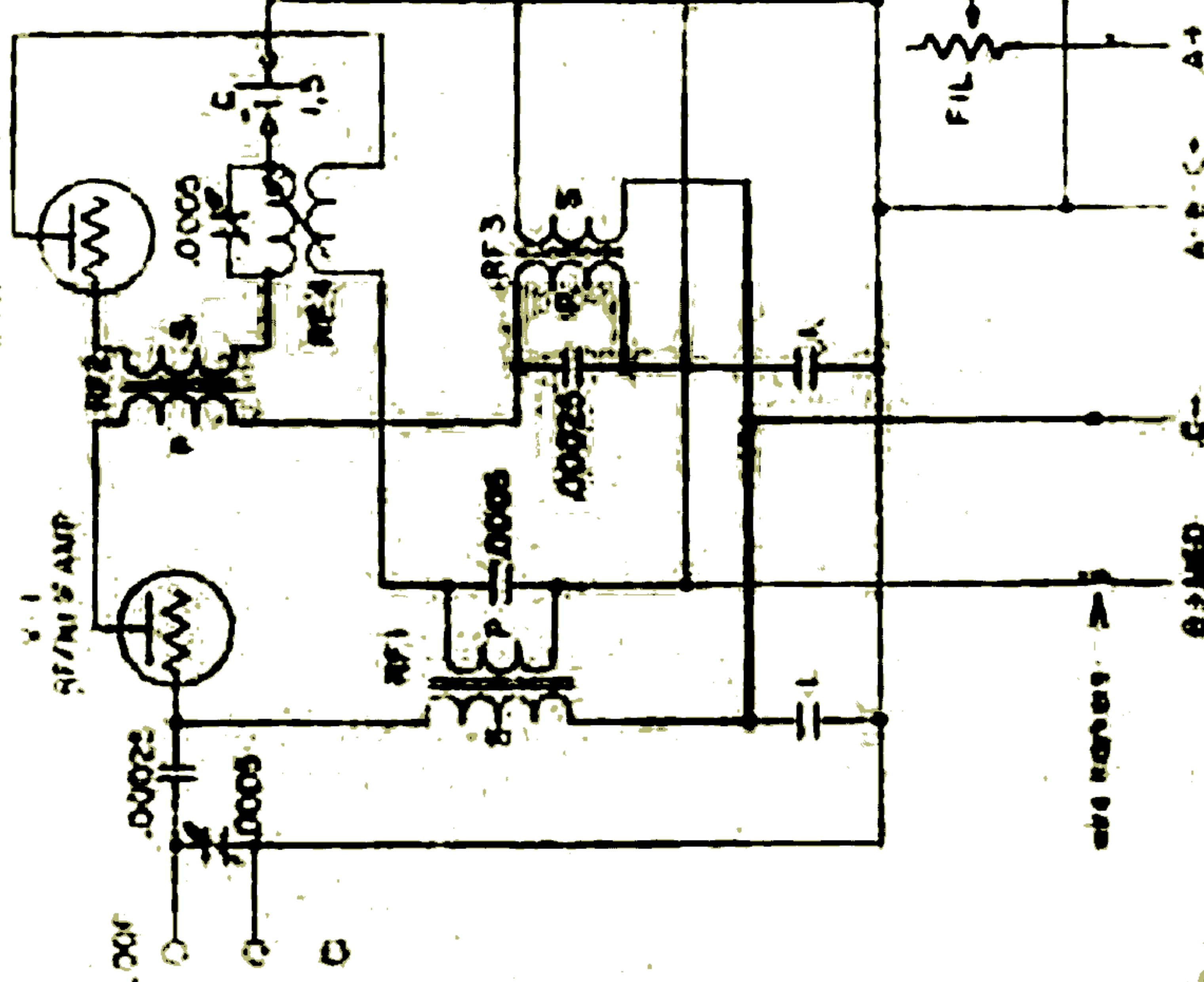
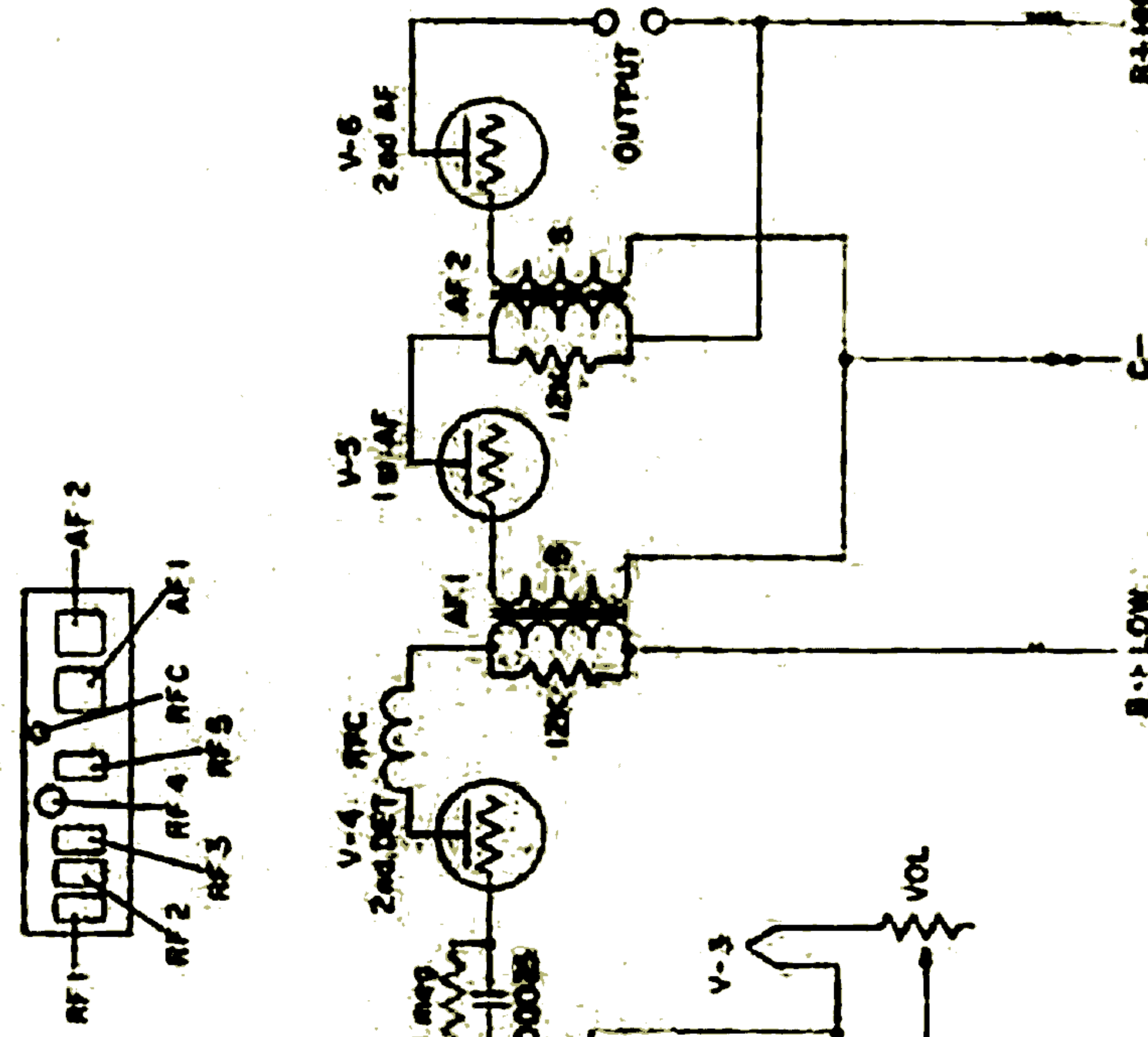


V-2 0.5C/100DET



CHASSIS LAYOUT



B+MED

C-

A-B-C

A+

VOL

V-3

B+LOW

C-

B+HIGH