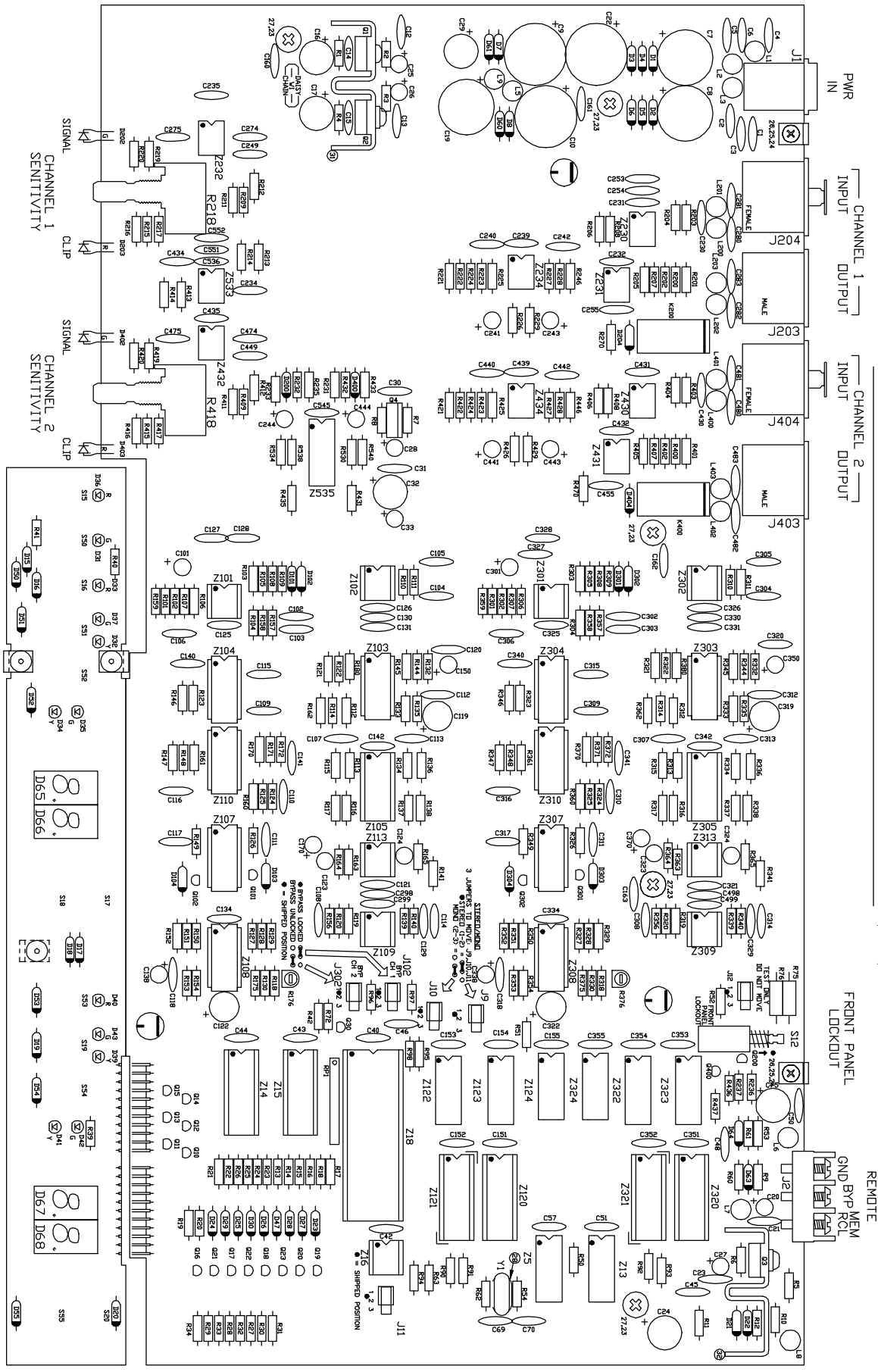
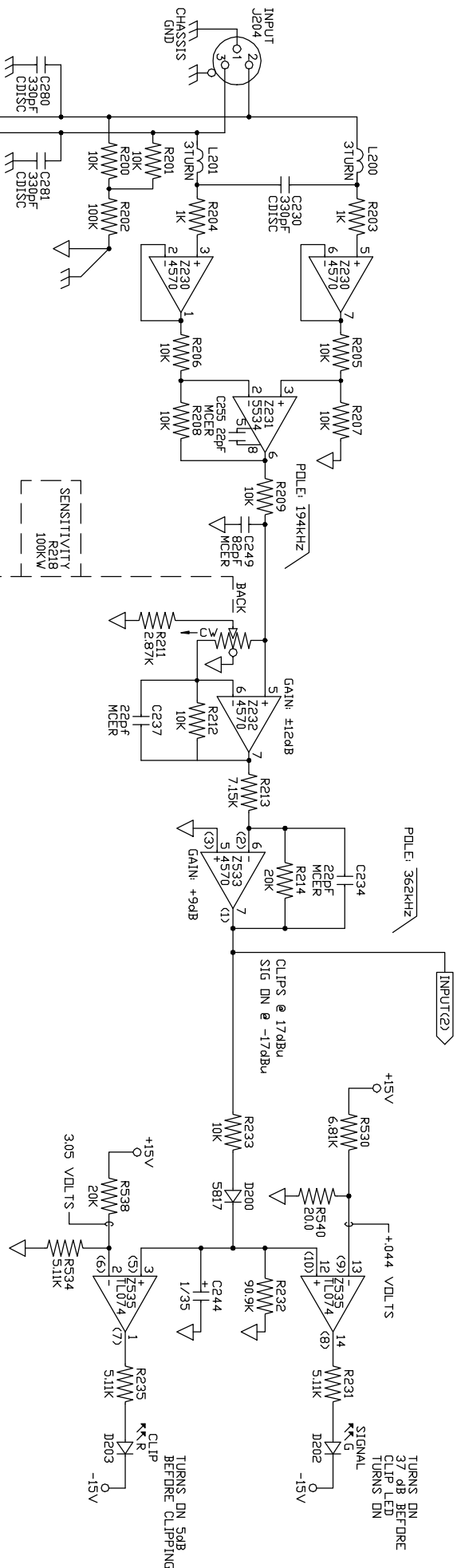


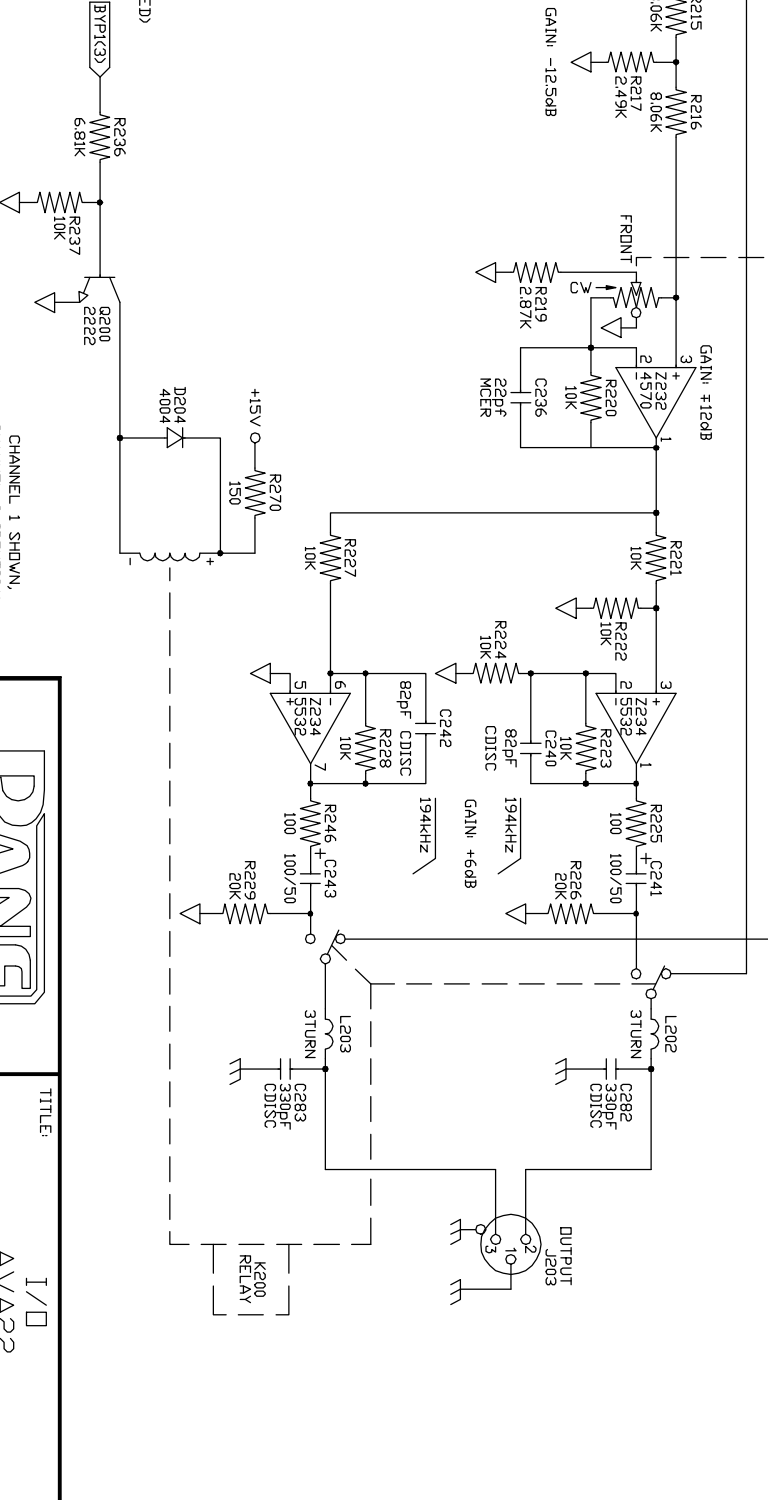
\*\*\* STATIC SENSITIVE BOARD \*\*\*  
 \*\*\* YOU MUST BE GROUNDED! \*\*\*



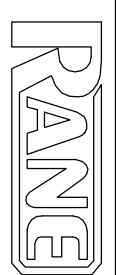
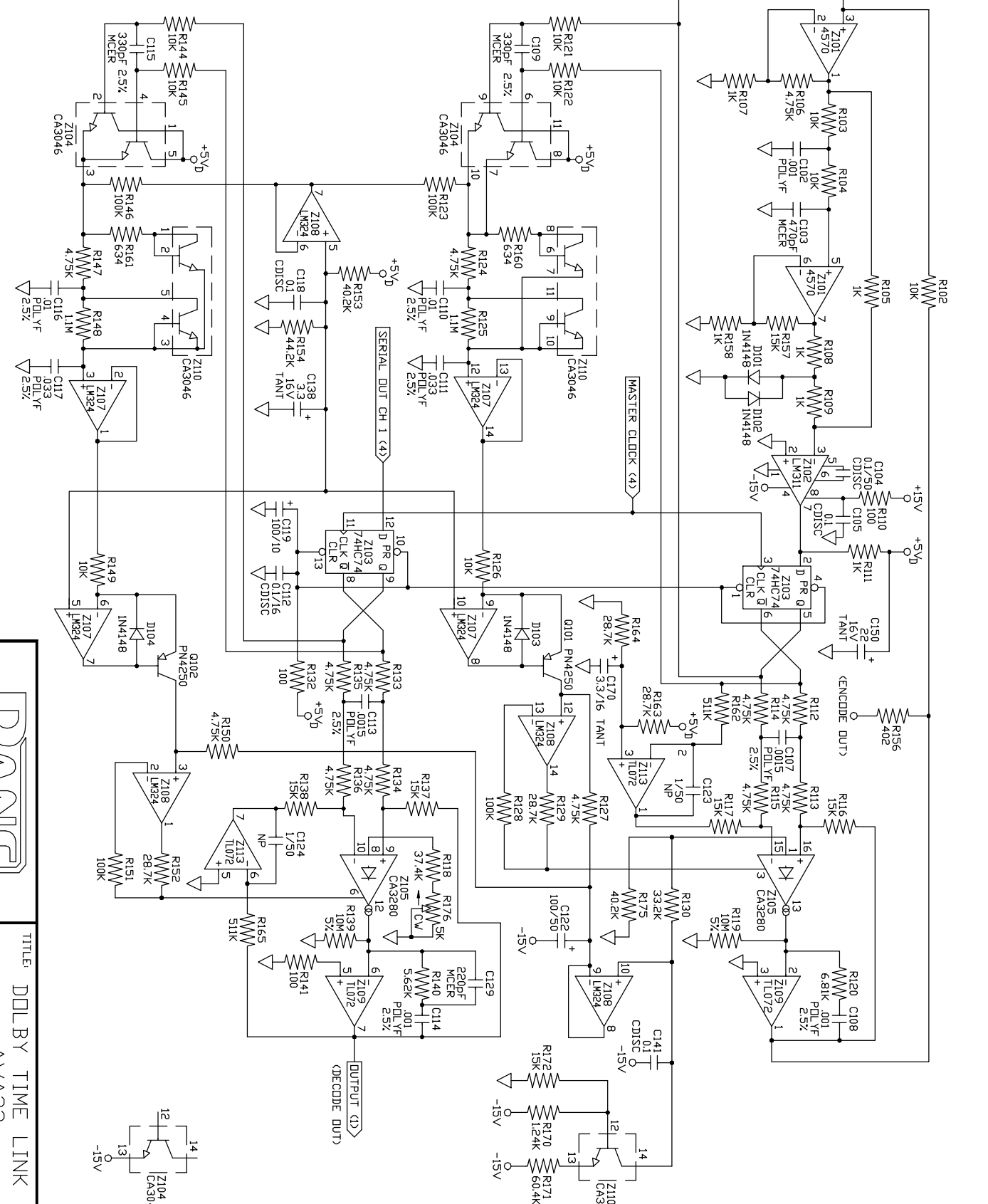


**NOTES** (UNLESS OTHERWISE SPECIFIED)

1. ALL RESISTORS ARE 1/4" W; METAL FILM, ALL 5% RESISTORS ARE 1/4" W CARBON FILM.
2. CAPACITORS: POLYF = POLYFILM 5%; CDISC = CERAMIC DISC 10 OR 20%; MCER = MONOLITHIC CERAMIC 5%; NP = NON POLAR CAP
3. PWR SUPPLY CONNECTIONS:  $\nabla$  SINGLES 7 4; DUALS 8 4; QUADS 4 11
4. ALL SW'S SHOWN IN THEIR 'DUT' OR 'OFF' POSITION. (RELAY SHOWN DE-ENERGIZED)
5. ALL VOLTAGES SHOWN DC.
6. NET LABEL (SHEET NUMBER)
7. CHANNEL 1 DESIGNATION 100-299, CHANNEL 2 DESIGNATION 300-499 AND DESIGNATION 0-99 & 500+ ARE COMMON.

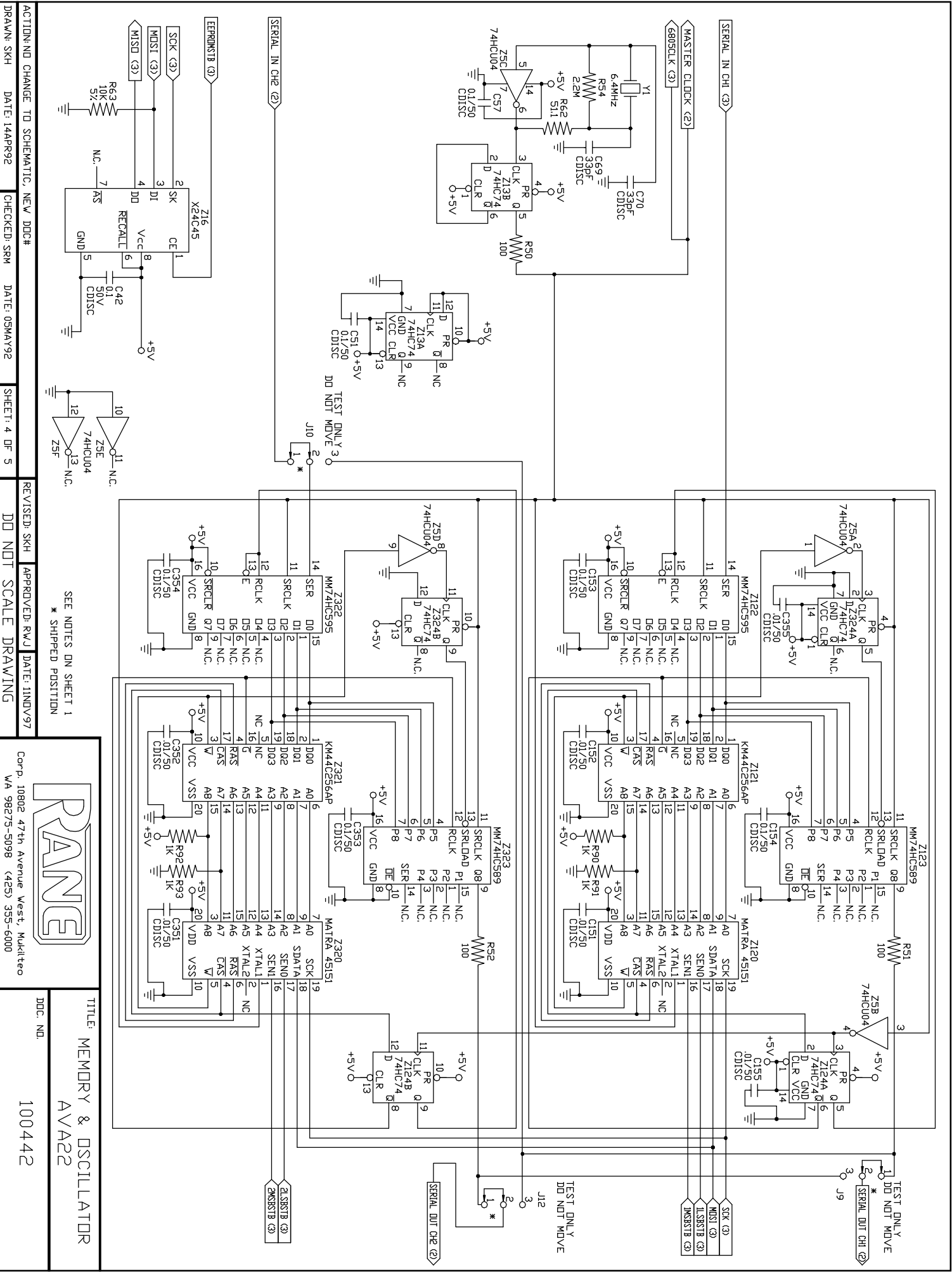


CHANNEL 1 SHOWN,  
CHANNEL 2 IDENTICAL,  
SEE NOTES ON SHEET 1



TITLE: DOLBY TIME LINK  
 AVA22





SEE NOTES ON SHEET 1  
 \* SHIPPED POSITION



TITLE: MEMORY & OSCILLATOR  
 AVA22  
 DDC. NO. 100442

Corp. 10802 47th Avenue West, Mukilteo  
 WA 98275-5098 (425) 355-6000

