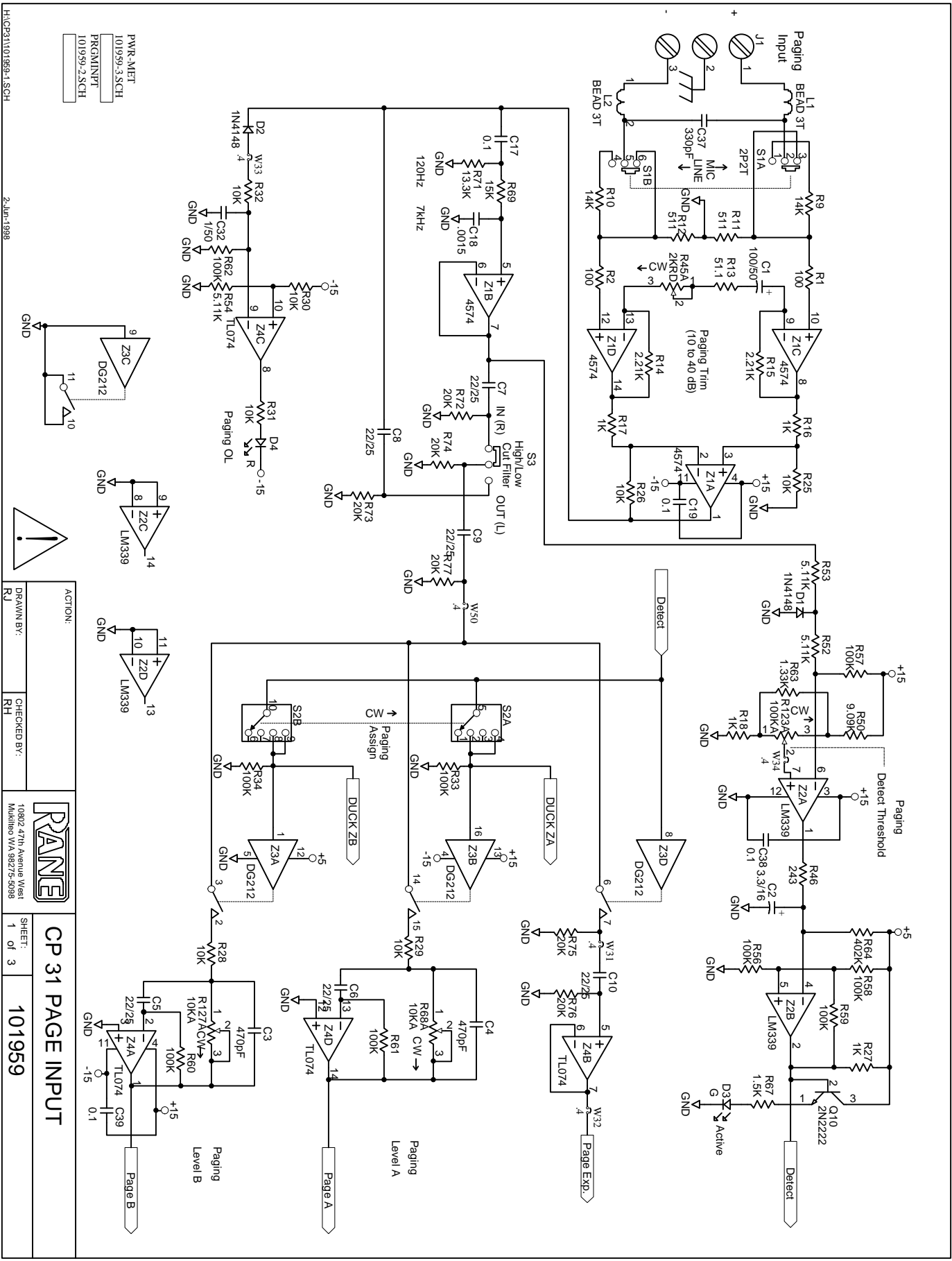


PWR-MET
101959-3.SCH
PRGMINPT
101959-2.SCH



ACTION:
DRAWN BY: RJ
CHECKED BY: RH

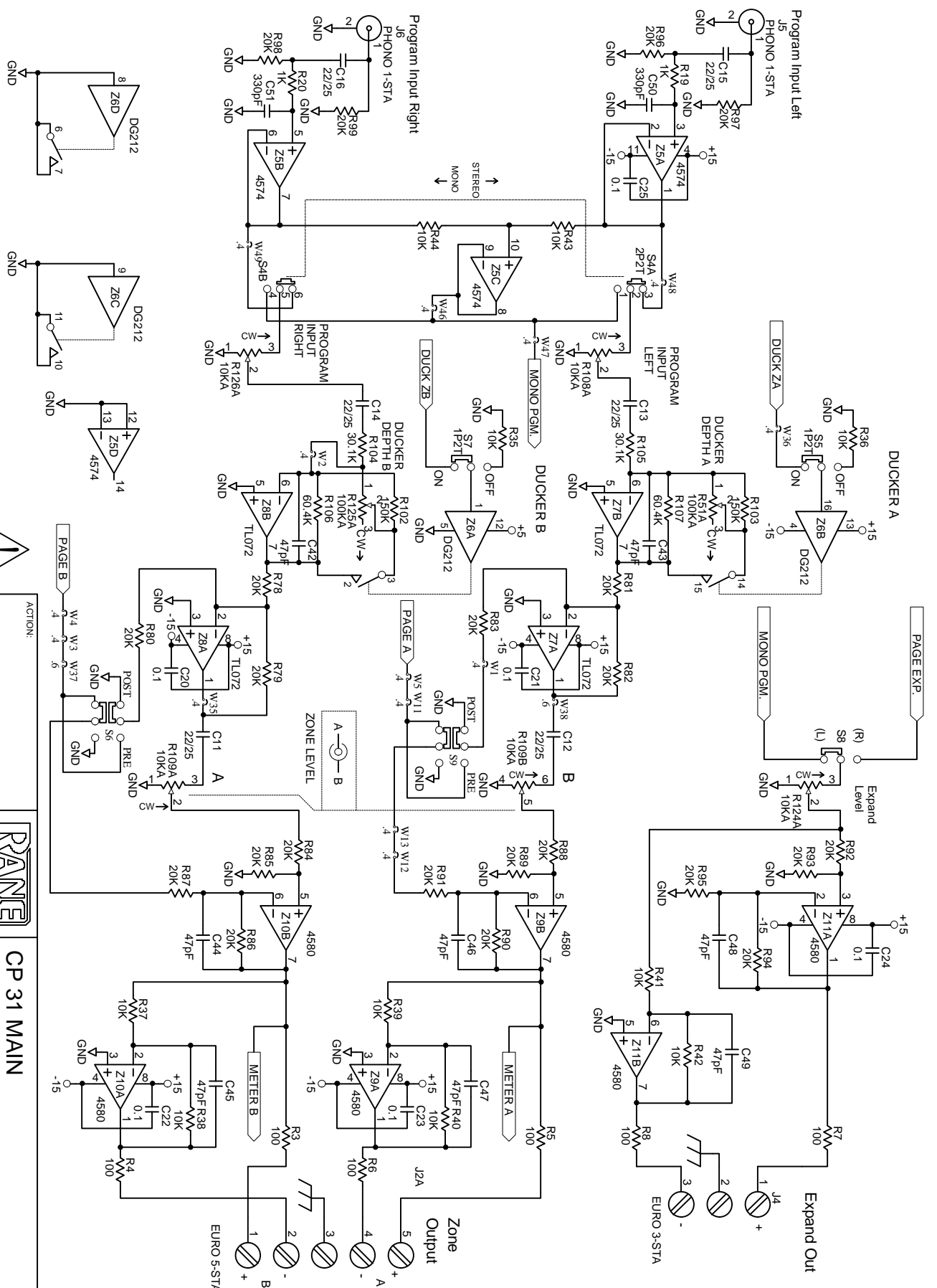
10802 47th Avenue West
Maple WA 98149-5038



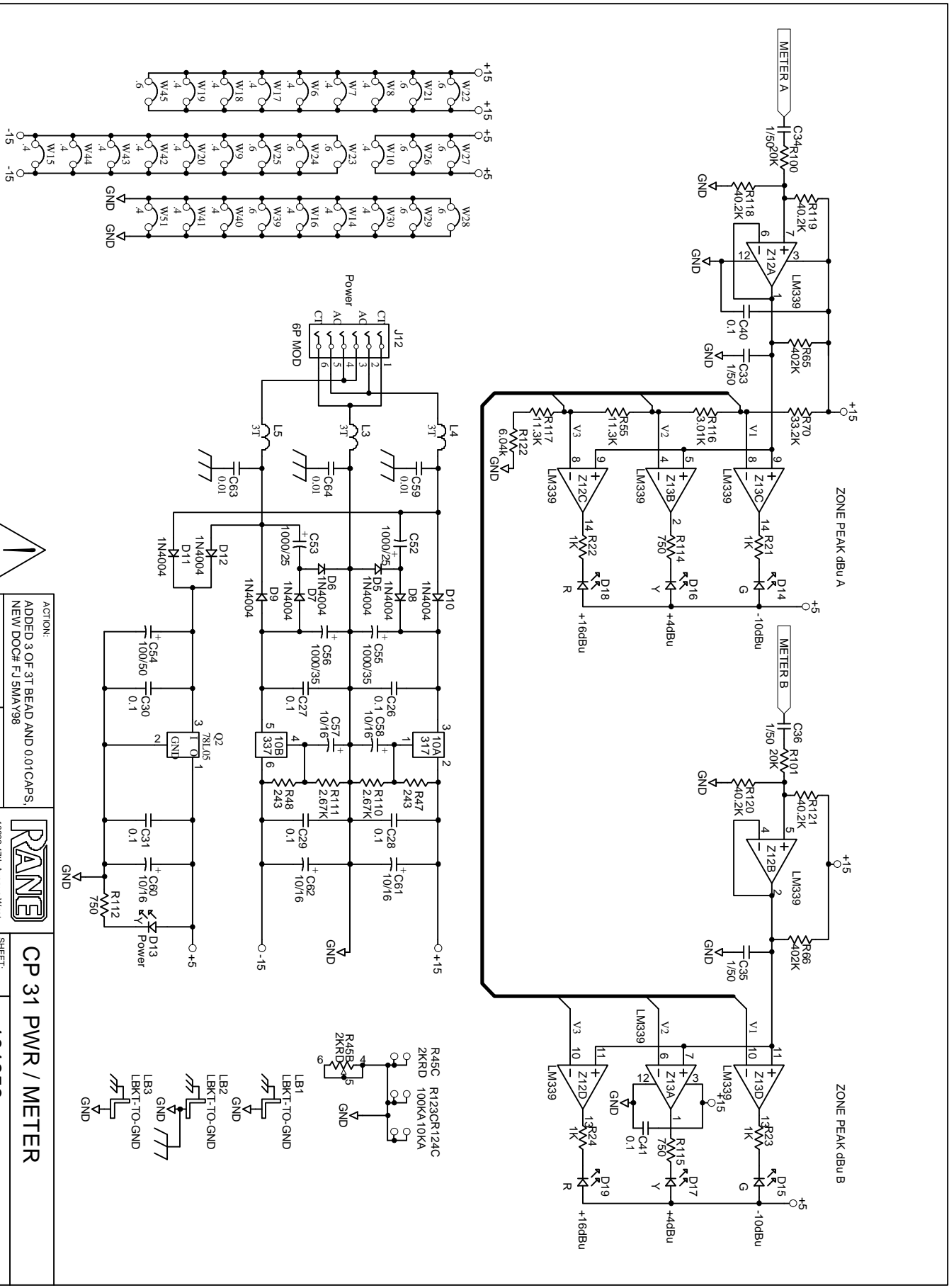
SHEET: 1 of 3
101959

CP 31 PAGE INPUT

2-Jun-1998



ACTION: _____
 DRAWN BY: _____
 CHECKED BY: _____
 10800 47th Avenue West
 Manufacturing WA 98275-5098
CP 31 MAIN
 SHEET: 2 of 3
101959
 H:\CP31\101959-2.SCH 20-Apr-1999



H:\CP31\101959-3-SCH
 2-Jun-1998
 ACTION: ADDED 3 OF 3T BEAD AND 0.01CAPS.
 NEW DOC# FJ 5MA4Y98
 DRAWN BY: RJ
 CHECKED BY: RH
 10802 47th Avenue West
 Matthews WA 98275-5038
PANE
 SHEET: 3 of 3
CP 31 PWR / METER
 101959

