

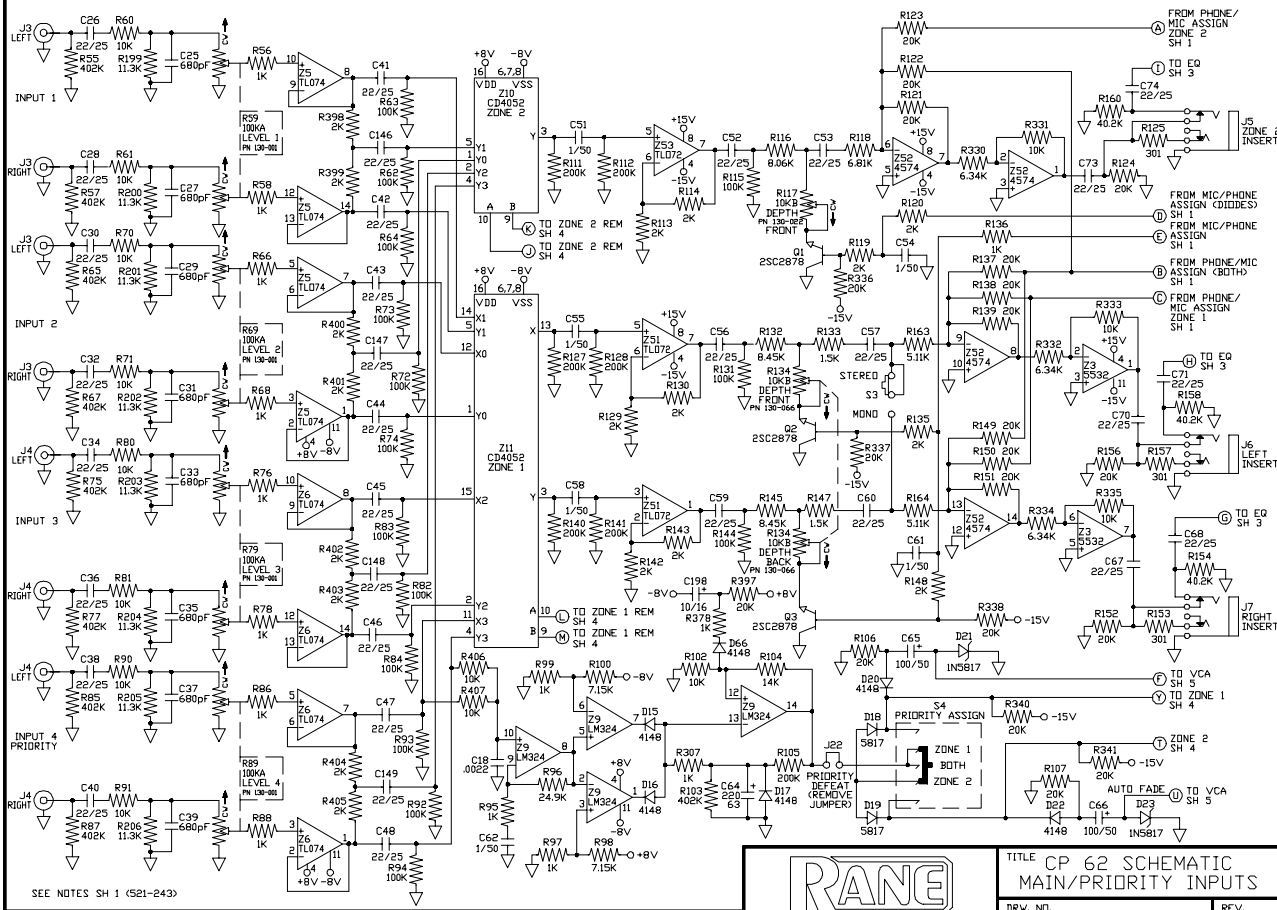
- NOTES (UNLESS OTHERWISE SPECIFIED)
1. ALL RESISTORS 1/4W 1% METAL FILM
  2. ALL FERRITE BEADS 3 TURN
  3. CAPACITOR TYPES:  
CD = CERAMIC DISK  
MC = MULTILAYER CERAMIC
  4. ALL SW'S SHOWN IN THEIR "OUT" OR "OFF" POSITION. (RELAY SHOWN DE-ENERGIZED)

Corp. 10802 47th Avenue West, Mukilteo  
WA 98275-5098 (206) 355-6000

TITLE CP 62 SCHEMATIC  
MIC/PHONE INPUTS

DRV. NO. 521-243 REV. D

REVISIONS REV. D ACTION R18 & R41 WERE 51K.	DATE 14JAN97	APPROVED RJT
DRAWN S HEADRICK DATE 5JAN94 CHECKED RGH DATE 06APR94 SHEET 1 OF 6	DO NOT SCALE DRAWING	



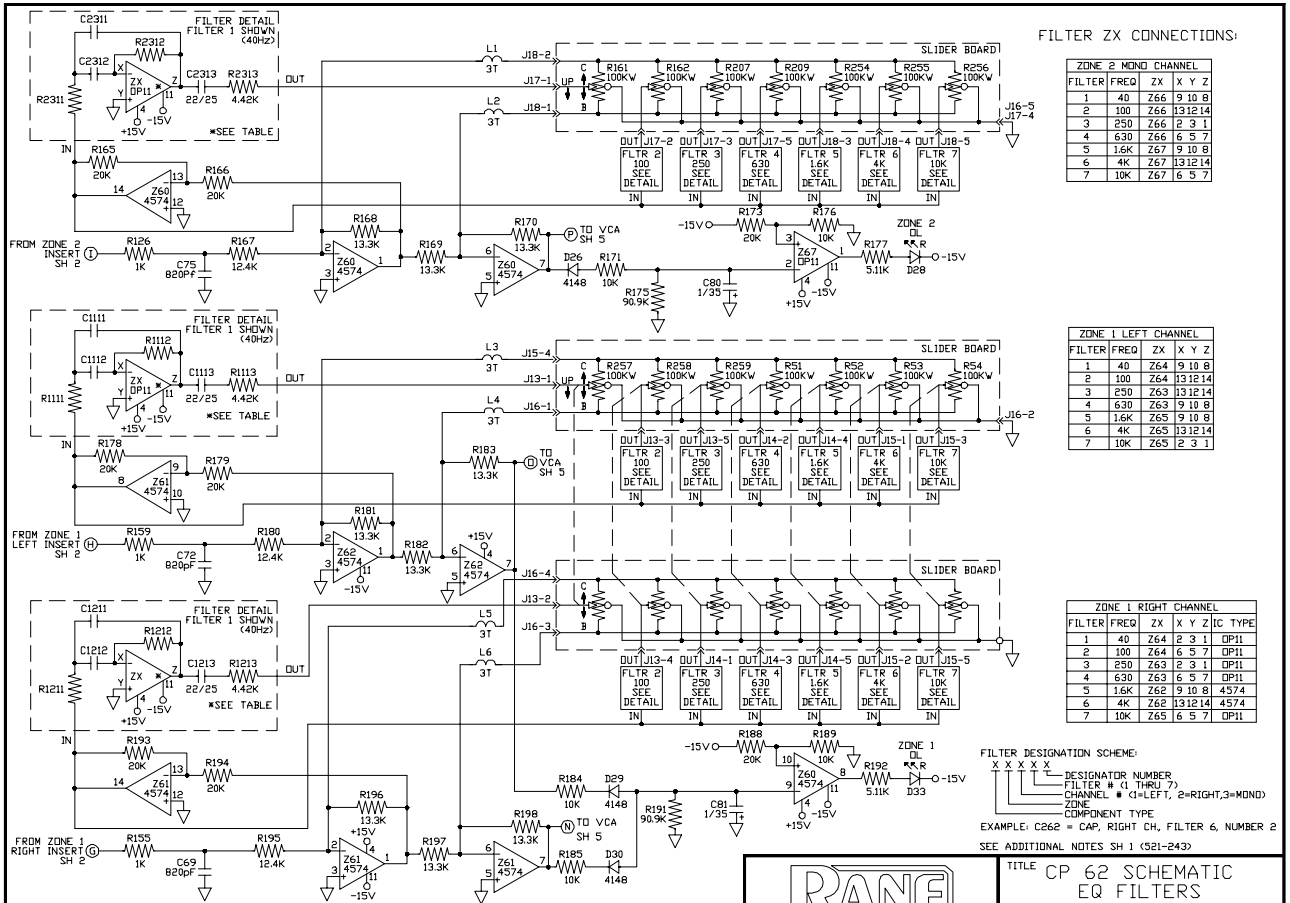
SEE NOTES SH 1 (521-243)

Corp. 10802 47th Avenue West, Mukilteo  
WA 98275-5098 (206) 355-6000

TITLE CP 62 SCHEMATIC  
MAIN/PRIORITY INPUTS

DRV. NO. 521-244 REV. E

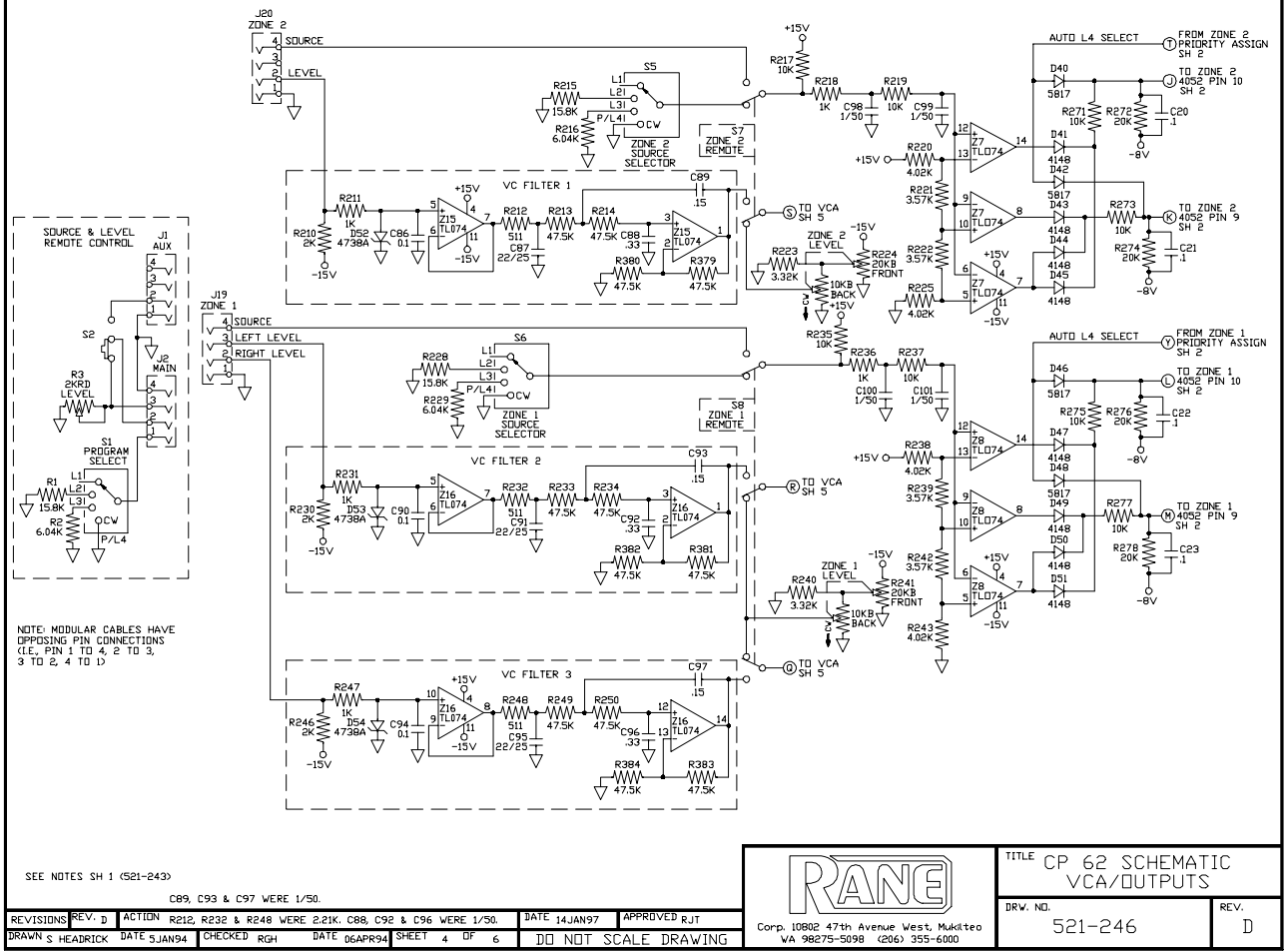
REVISIONS REV. E ACTION R96 WAS 100K.	DATE 14JAN97	APPROVED RJT
DRAWN S HEADRICK DATE 5JAN94 CHECKED RGH DATE 06APR94 SHEET 2 OF 6	DO NOT SCALE DRAWING	

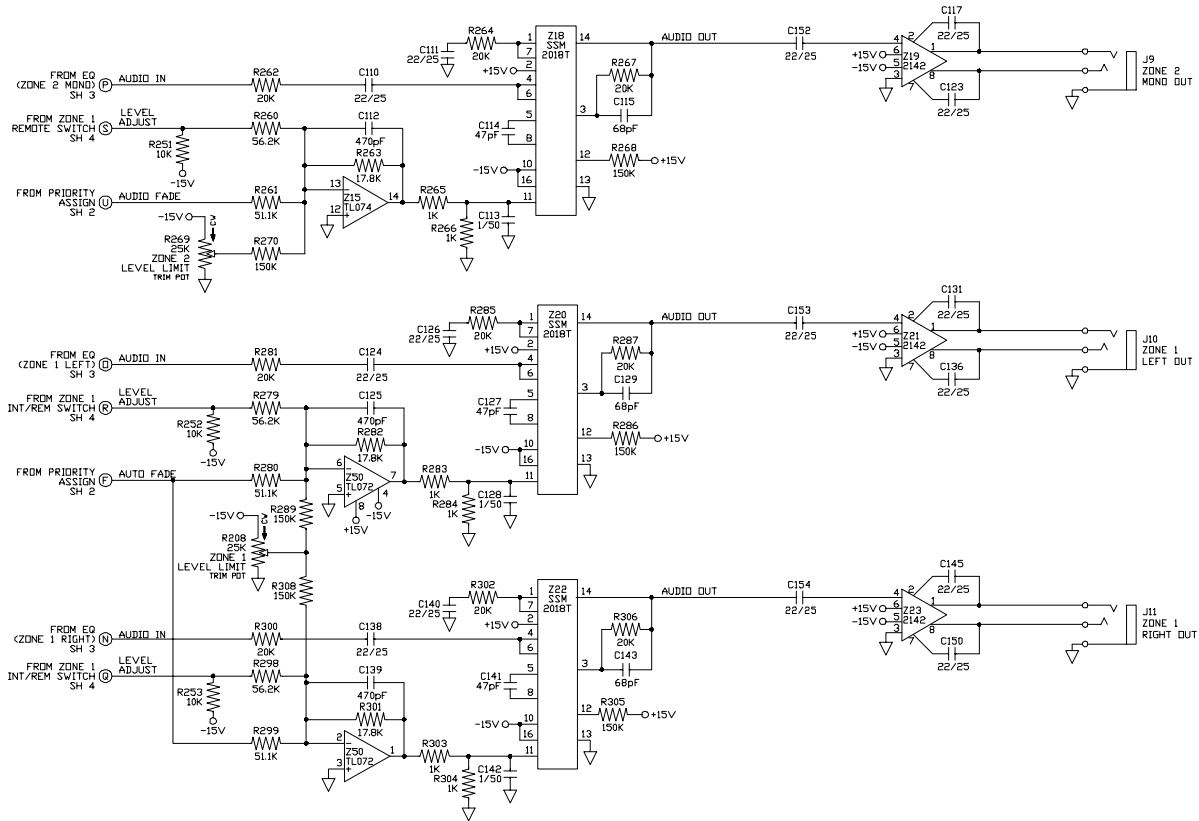


REV. C ACTION CHANGED MANY VALUES FOR COMMONALITY AND RADIAL INSERTION. DATE 03APR96 APPROVED RJT  
 DRAWN S HEADRICK DATE 5JAN94 CHECKED RGH DATE 06APR94 SHEET 3 OF 6 DO NOT SCALE DRAWING

**RANE**  
 Corp. 10802 47th Avenue West, Mukiteo WA 98275-5098 (206) 355-6000

TITLE CP 62 SCHEMATIC EQ FILTERS  
 DRW. NO. 521-245 REV. C





SEE NOTES SH 1 (521-243)



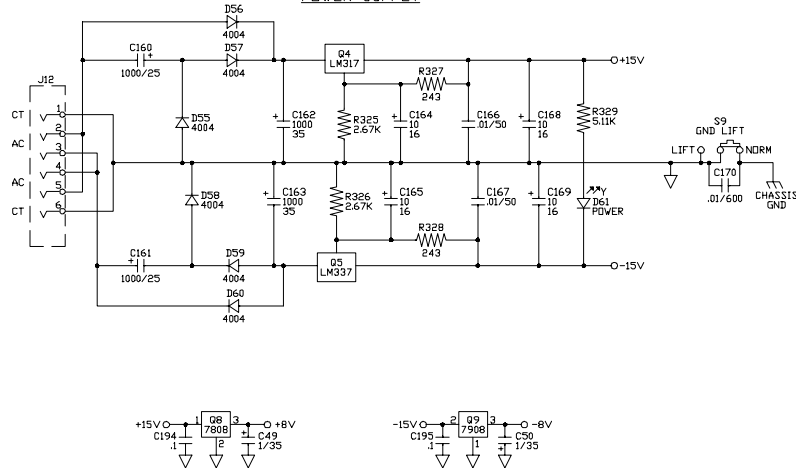
TITLE CP 62 SCHEMATIC  
VCA/OUTPUTS

REVISIONS	REV. C	ACTION	CHANGED MANY VALUES FOR COMMONALITY & RADIAL INSERTION	DATE	03APR96	APPROVED	RJT
DRAWN S	HEADRICK	DATE	5JAN94	CHECKED	RGH	DATE	06APR94
				SHEET	5	OF	6
				DO NOT SCALE DRAWING			

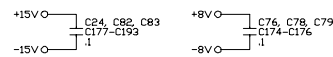
Corp. 10802 47th Avenue West, Mukilteo  
WA 98275-5098 (206) 355-6000

DRW. NO.	521-247	REV.	C
----------	---------	------	---

POWER SUPPLY



DECOUPLING CAPS



SEE NOTES SH 1 (521-243)



TITLE CP 62 SCHEMATIC  
POWER SUPPLY

REVISIONS	REV. C	ACTION	CHANGED MANY VALUES FOR COMMONALITY AND RADIAL INSERTION	DATE	08APR96	APPROVED	RJT
DRAWN S	HEADRICK	DATE	10JAN94	CHECKED	RGH	DATE	06APR94
				SHEET	6	OF	6
				DO NOT SCALE DRAWING			

Corp. 10802 47th Avenue West, Mukilteo  
WA 98275-5098 (206) 355-6000

DRW. NO.	521-248	REV.	C
----------	---------	------	---