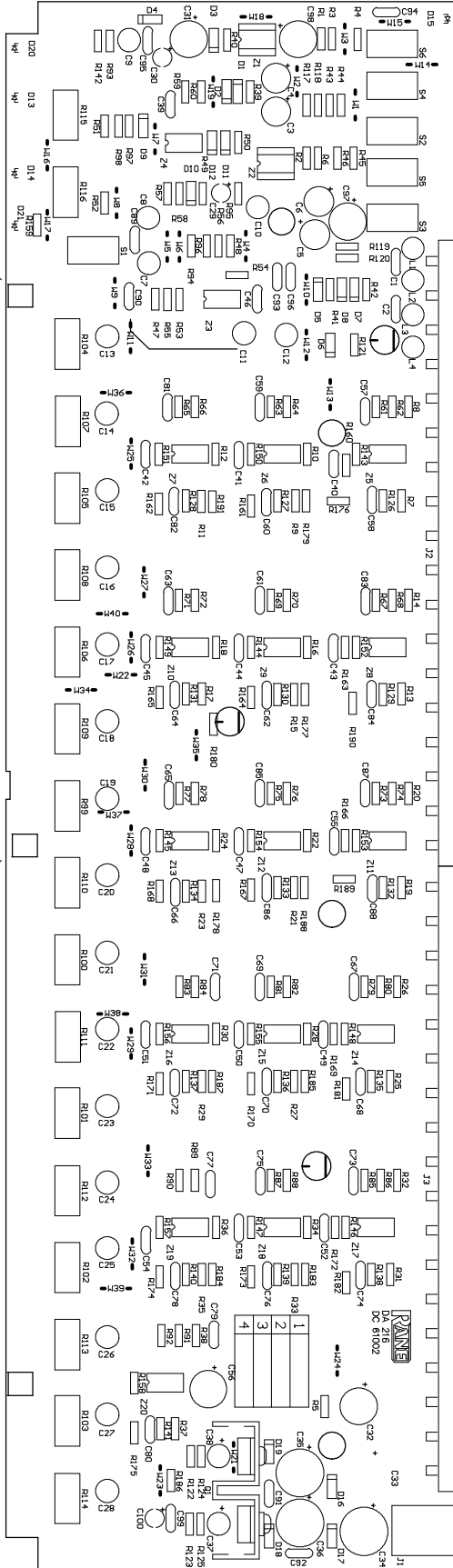
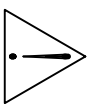
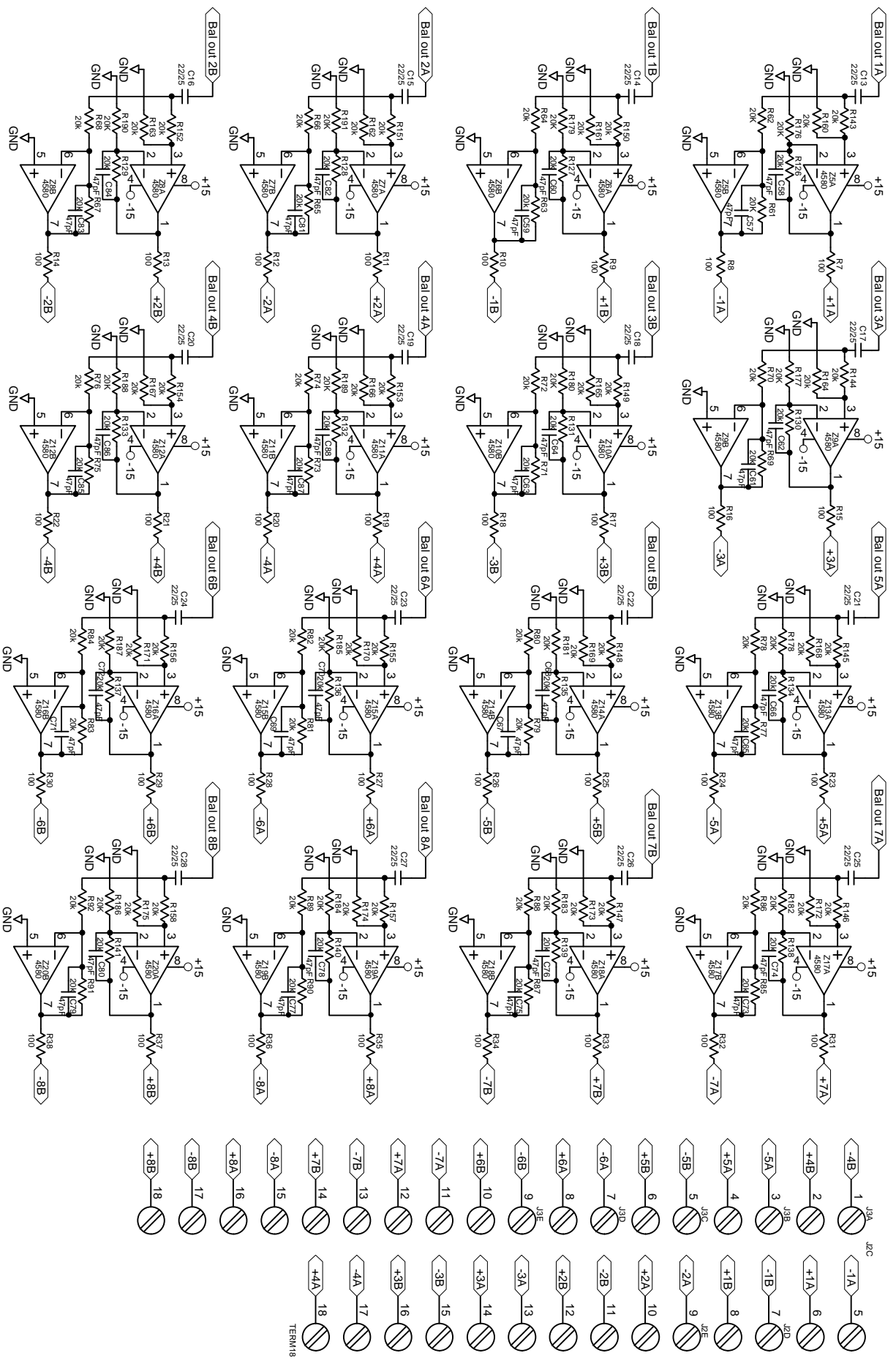


REMOVE LABELS FROM THE FRONT OF THE UNIT

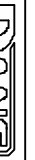
REMOVE LABELS FROM THE FRONT OF THE UNIT



Rane Corp. (425)355-6000
100624 DES DA216
ACTION: PART NOT CHANGED, NEW DOC #S RWJ 25NQ97



ACTION:



SCHEM DA216

DRAWN BY: MR

CHECKED BY: RWJ

10802 47th Avenue West
 Mooresville, N.C. 28138-5098

SHEET: 2 of 2

100464

TERN18