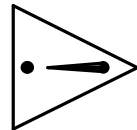
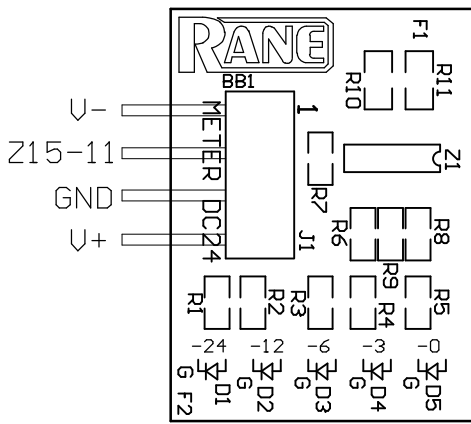


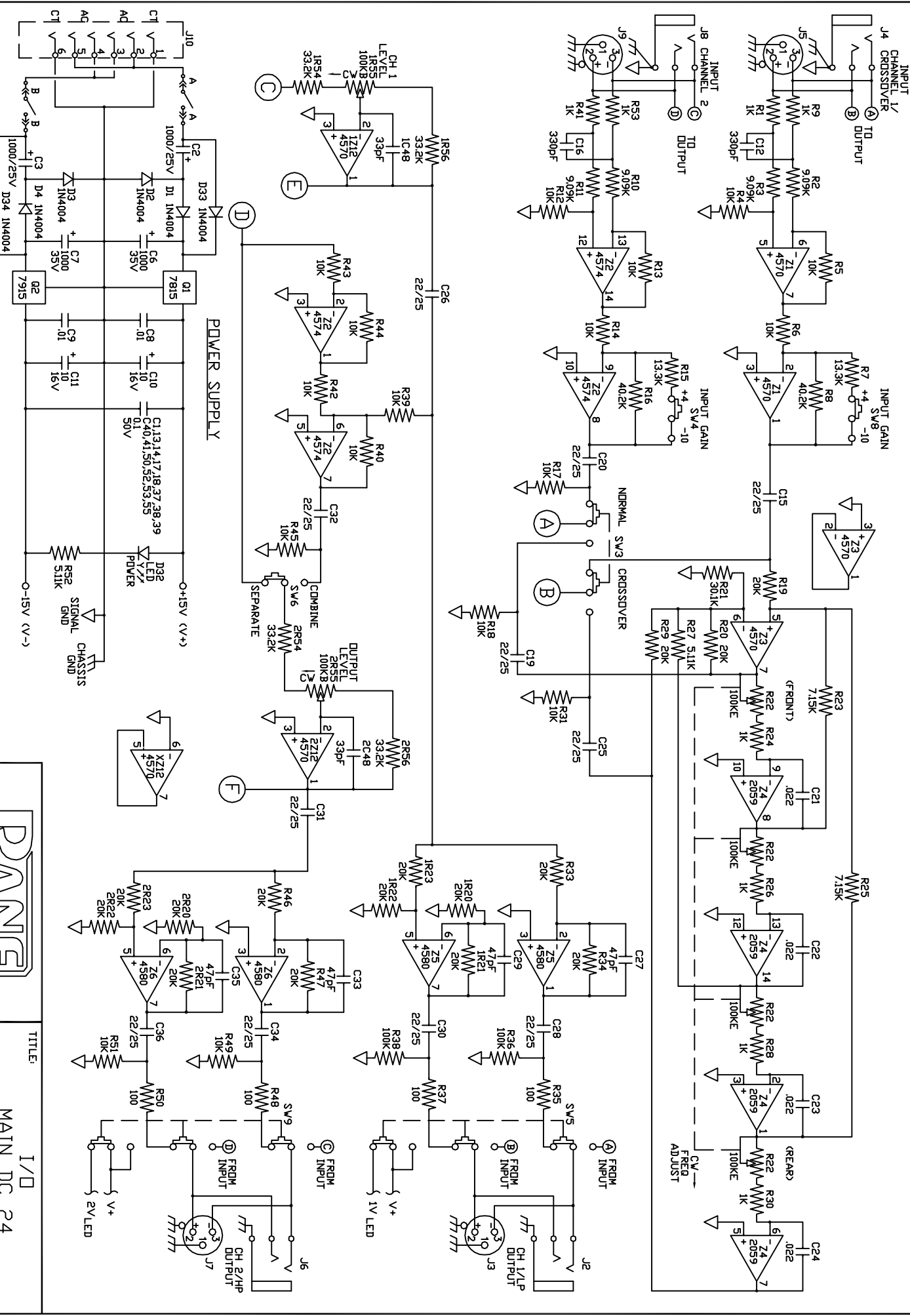
Rane Corp. (425)355-6000  
 105943 DES MAIN DC 24  
 ACTION: REPLACED 16MM POTS WITH 14MM POTS RWJ 28MAR02



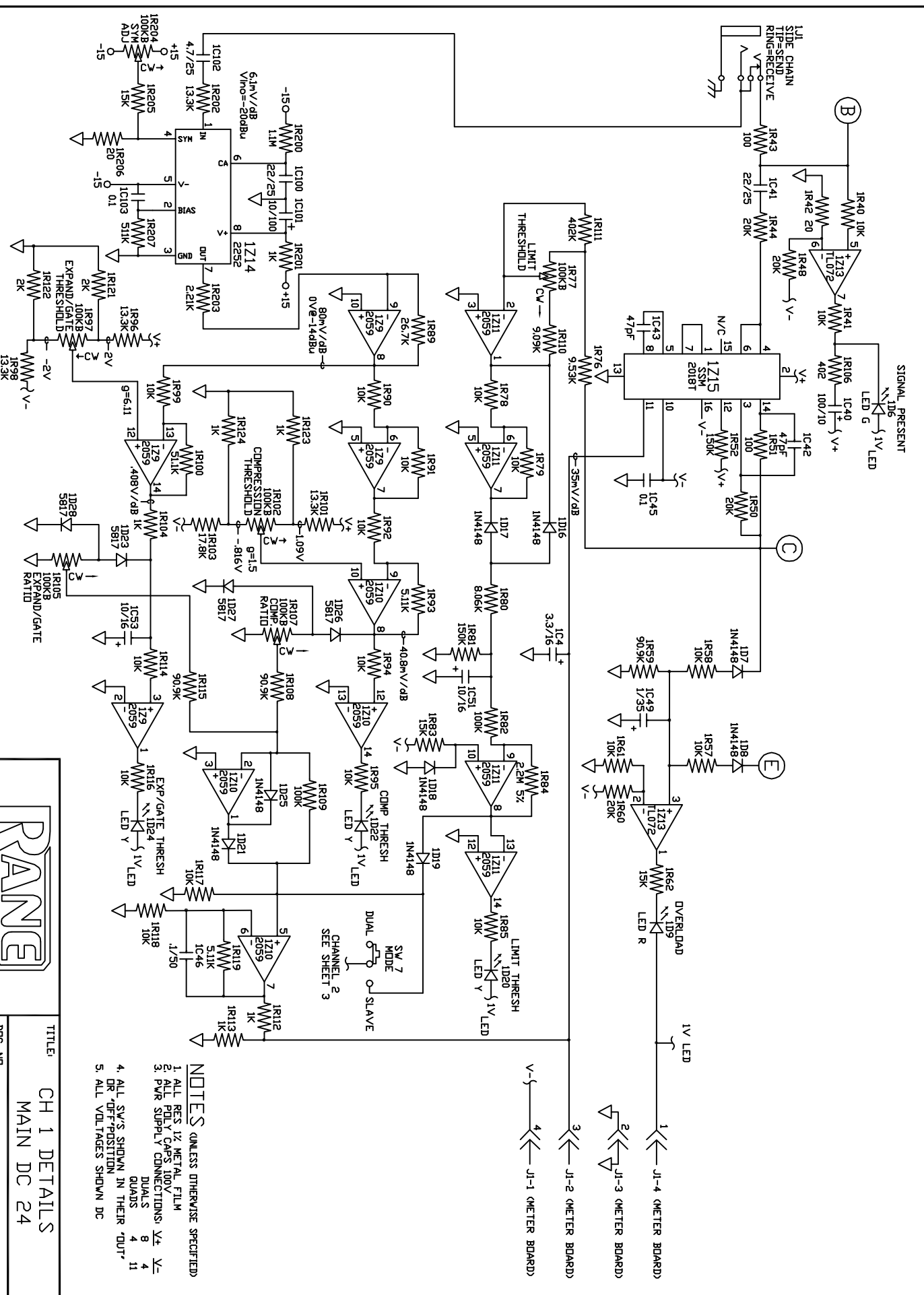
Rane Corp. (425)355-6000

108582 DES METER DC 24

ACTION: CHG TO SMT FROM ACAD,  
SKH 20DEC04



ACTION: WAS 104804, NO CHANGE TO THIS SHEET  
 DRAWN: SRM DATE: 17 JUL 89 CHECKED: AVC DATE: 17 JUL 89 SHEET: 1 OF 3 REVISED: SKH APPROVED: RVJ DATE: 16 DEC 04  
 DD NOT SCALE DRAWING  
 TITLE: I/O MAIN DC 24  
 DDC, ND, 108584  
 Corp. 10802 47th Avenue West, Mukilteo WA 98275-5098 (425) 355-6000



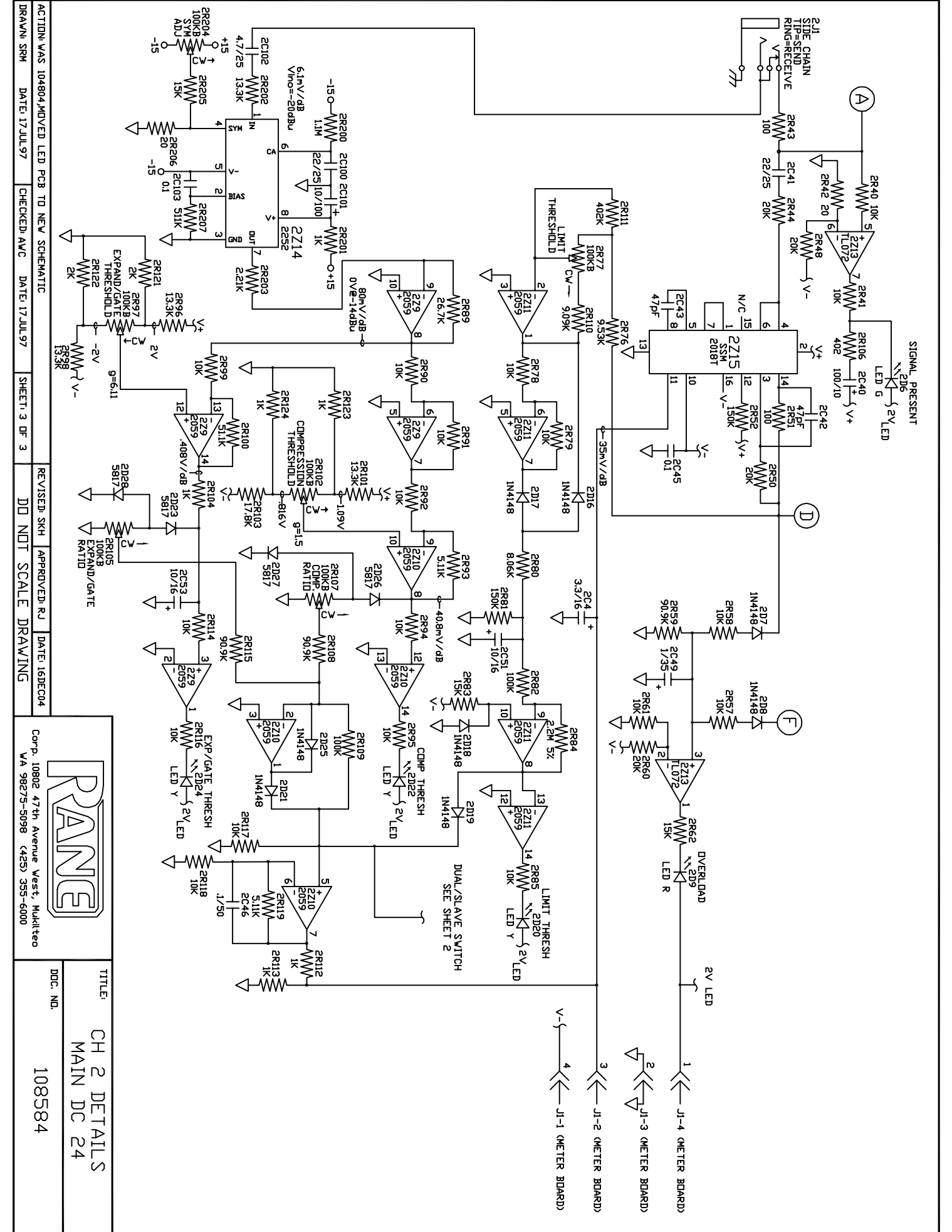
- NOTES** (UNLESS OTHERWISE SPECIFIED)
1. ALL RES 1% METAL FILM
  2. ALL POLY CAPS 100V
  3. PWR SUPPLY CONNECTIONS:  $\frac{1}{2}$  DUALS 8 4 11
  4. ALL SW'S SHOWN IN THEIR 'OUT' OR 'OFF' POSITION
  5. ALL VOLTAGES SHOWN DC

ACTION: WAS 104804, MOVED LED PCB TO NEW SCHEMATIC  
 DRAWN: SRM DATE: 17 JUL 89 CHECKED: AVC DATE: 17 JUL 89 SHEET: 2 OF 3 REVISED: SKH APPROVED: RJ DATE: 16 DEC 04  
 DO NOT SCALE DRAWING

Corp. 10802 47th Avenue West, Mukilteo WA 98275-5098 (425) 355-6000

**PANE**

TITLE: CH 1 DETAILS  
 MAIN DC 24  
 DDC. NDI  
 108584

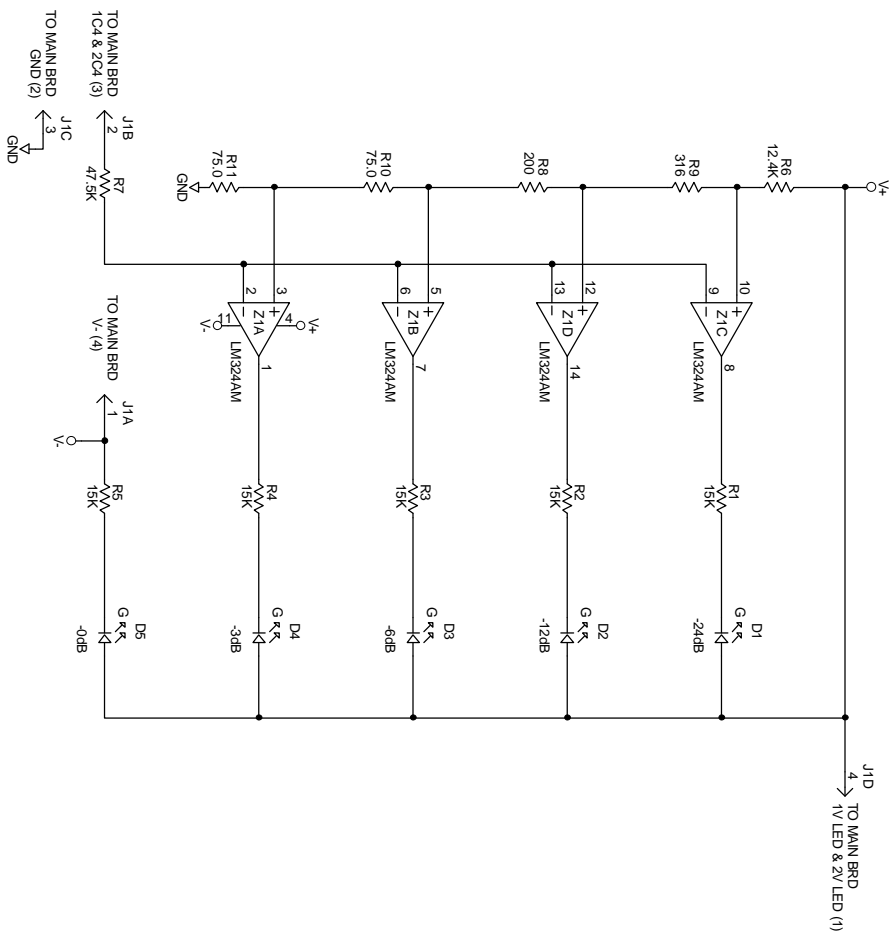


ACTION: VAS 104804 MOVED LED PCB TO NEW SCHEMATIC  
 DRAWN: SSM DATE: 17 JUL 97  
 CHECKED: AVC DATE: 17 JUL 97  
 SHEET: 3 OF 3  
 REVISED: SKH APPROVED: RJ DATE: 16 DEC 04  
 DO NOT SCALE DRAWING



Corp. 10802 47th Avenue West, Mukilteo  
 WA 98275-5098 (425) 355-6000

TITLE: CH 2 DETAILS  
 MAIN DC 24  
 DDC: ND  
 108584



HDD24108585.SCH

12-Jan-2005



ACTION: CHG FROM ACAD DWG,  
 WAS 104804 SKH 18DEC04  
 DRAWN BY: SKH  
 CHECKED BY: RJ



METER DC 24  
 SHEET: 1 of 1  
 108585