

NOTES (UNLESS OTHERWISE SPECIFIED)

1. ALL RES 1% METAL FILM
2. POWER SUPPLY CONNECTIONS:
 - PWS SUP
 - NEG SUP
3. ALL SWS SHOWN IN THEIR 'OUT' OR 'DIFF' POSITION WHERE INDICED BY \odot
4. CH 1 SHOWN, CH 2 IDENTICAL EXCEPT WHERE INDICED BY \odot

5. NO PREFIX = COMMON
1. PREFIX = CH 1
2. PREFIX = CH 2
3. PREFIX = LEFT STEREO
4. PREFIX = RIGHT STEREO
6. IC TYPES:
 - Z1 = 4570
 - Z2 = TL071
 - Z101, Z200 = 2017
 - Z102, Z201 = 4556
 - Z103, Z104, Z202, Z204 = TL074
 - Z105, Z106, Z203, Z205 = 4574
 - Z107, Z108, Z206, Z207, Z301, Z302, Z401, Z402 = 5534

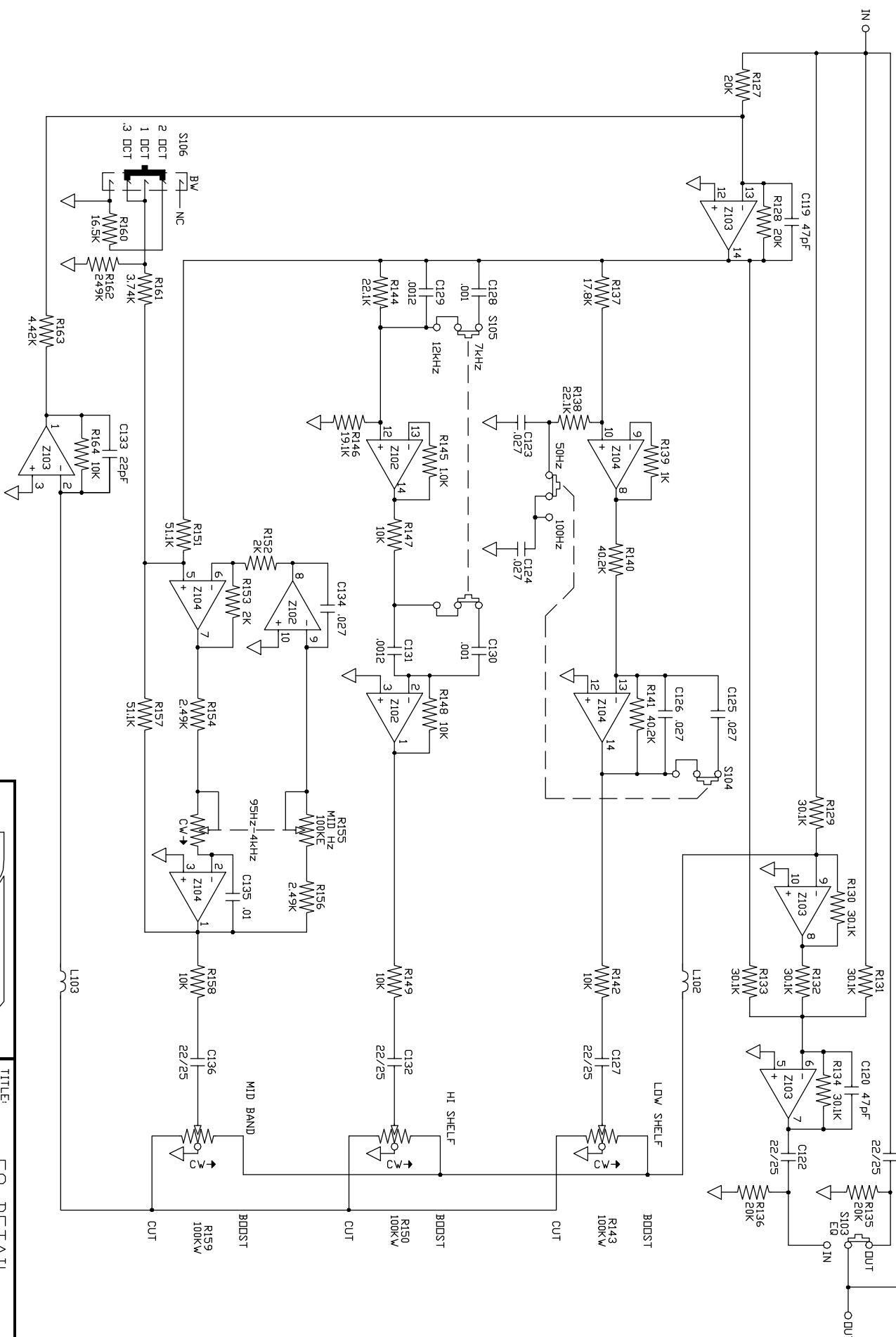


Comp. 10802 47th Avenue West, Mukilteo
WA 98275-5098 (425) 355-6000

DDC. NO. 100444

TITLE: I/O DMS22

EQ DETAIL



SEE NOTES SHEET 1
U.S. PATENTS 4,891,841 & 5,046,105

ACTION: NO CHANGE TO PART, NEW DDC#	CHECKED: DB	DATE: 10FEB94	SHEET: 2 OF 3	REVISED: SKH	APPROVED: RWJ	DATE: 03DEC97
DRAWN: AVC				DD NOT SCALE DRAWING		

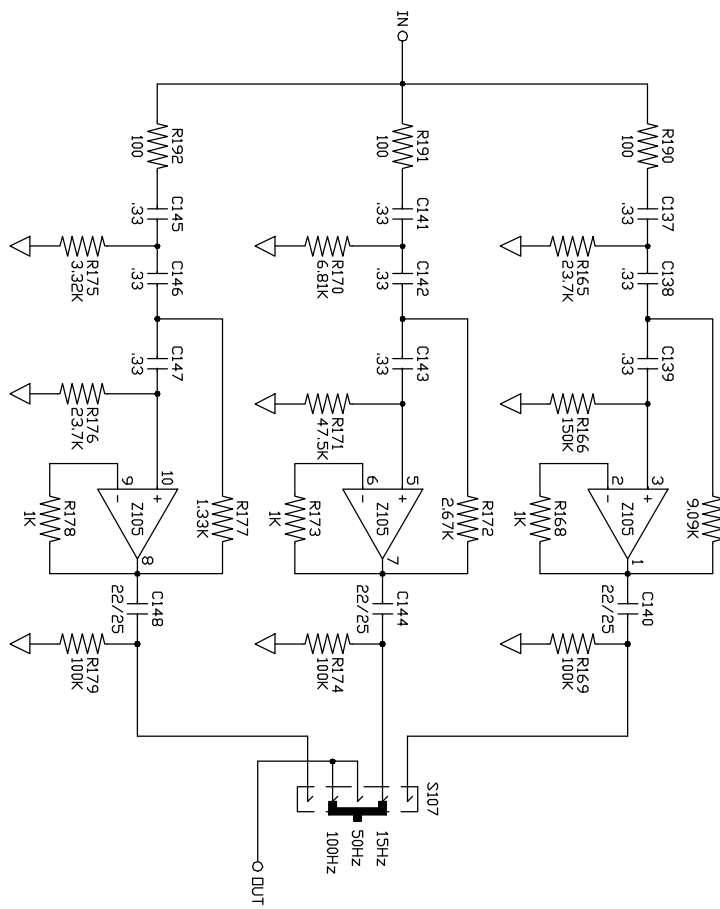


Corp. 10802 47th Avenue West, Mukilteo
VA 98275-5098 (425) 355-6000

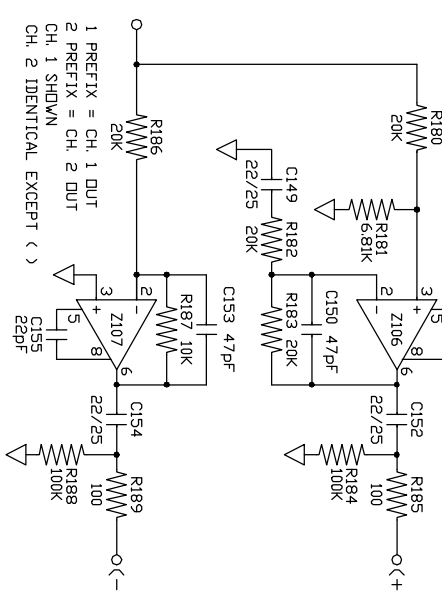
TITLE: EQ DETAIL
DMS22

DDC. NO. 100444

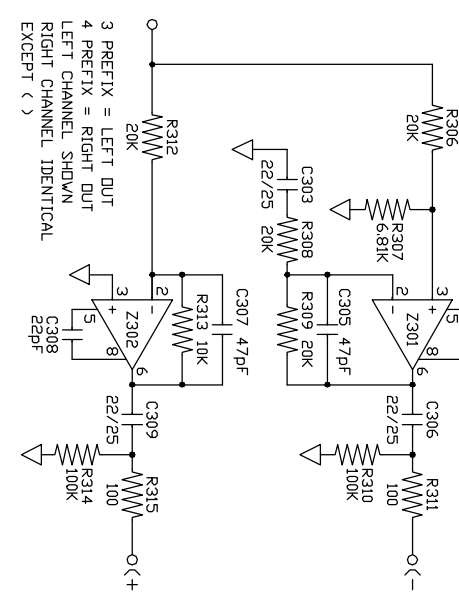
LOW FILTER DETAIL



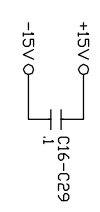
CHANNEL OUTPUT DETAIL



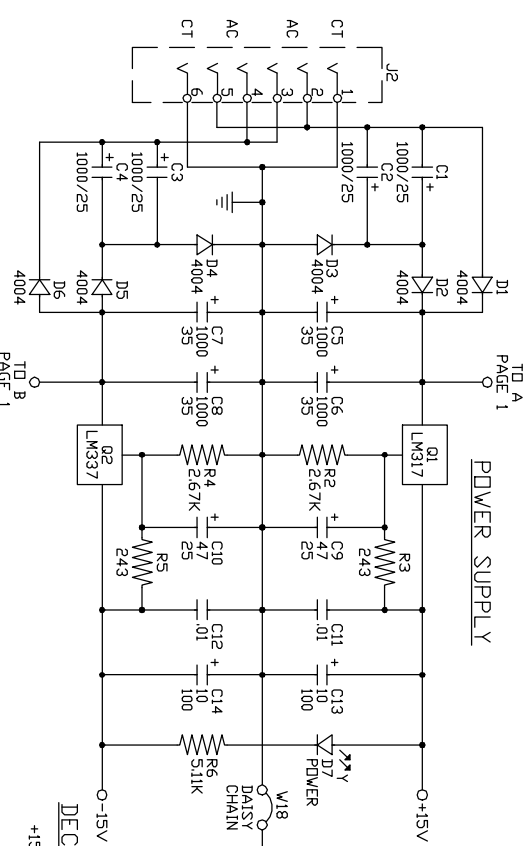
STEREO OUTPUT DETAIL



DECOUPLING CAPS



POWER SUPPLY



SEE NOTES SHEET 1



Corp. 10802 47th Avenue West, Mukit'eo
 WA 98275-5098 (425) 355-6000

TITLE: SCHEMATIC DETAILS
 DMS22

DDC. NO. 100444