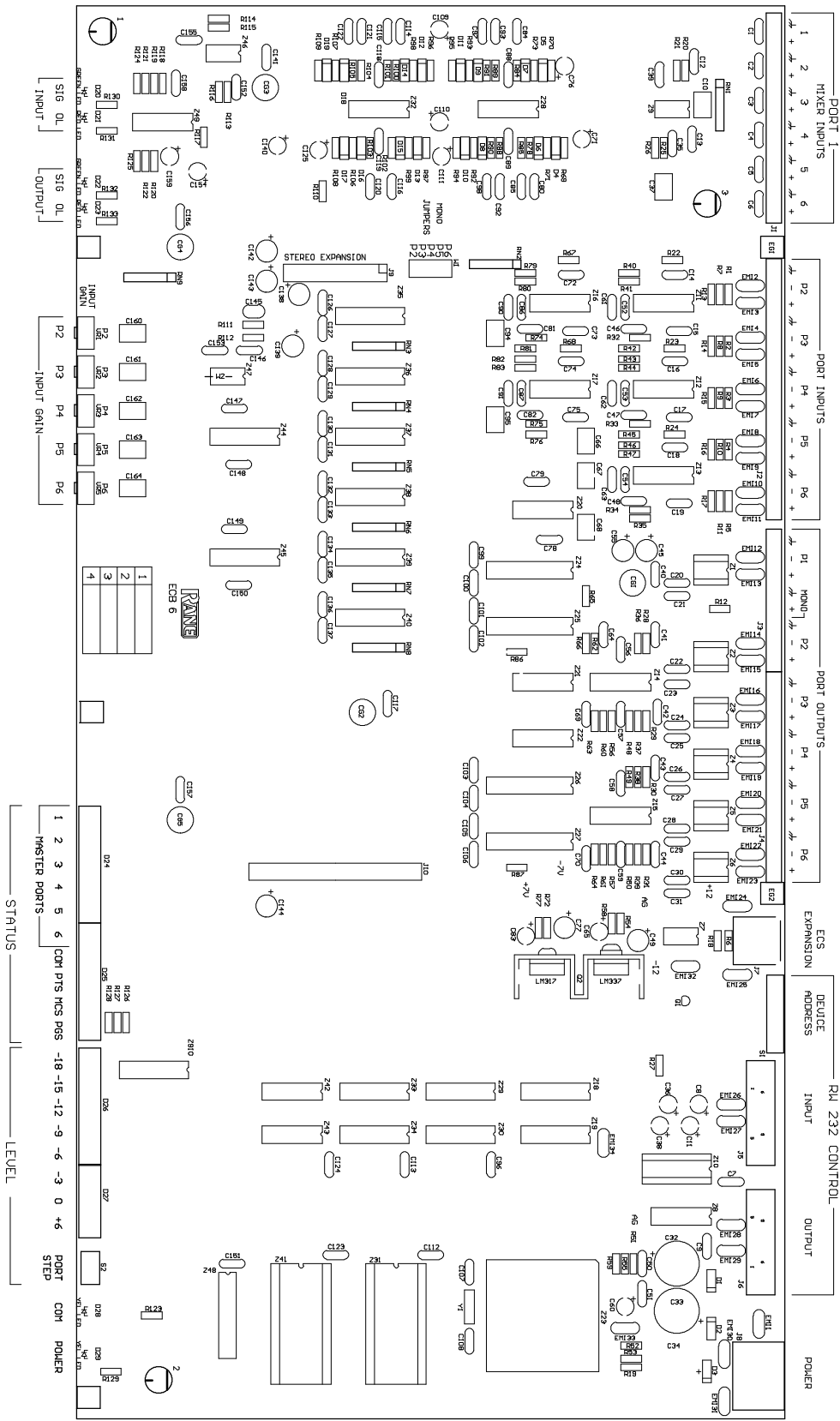
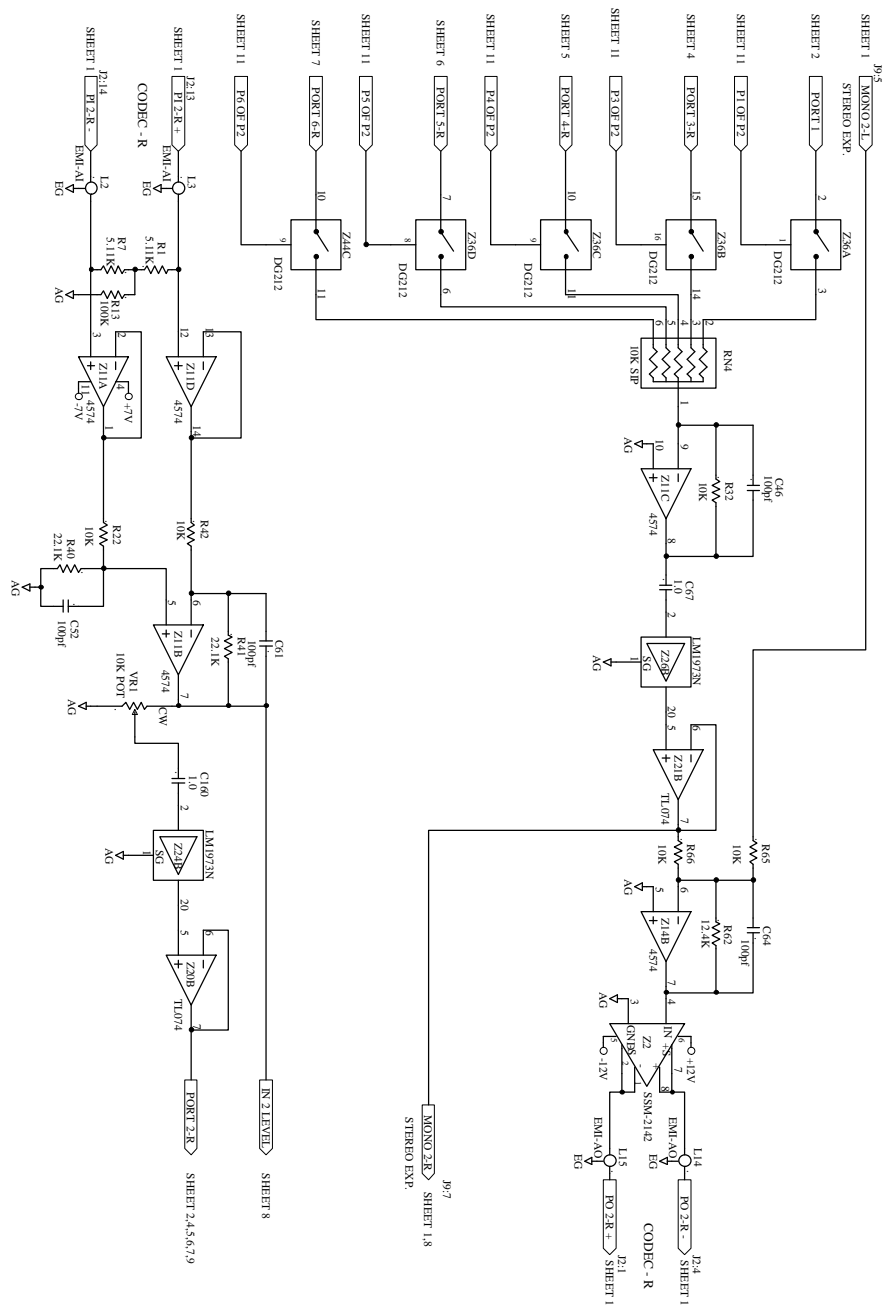
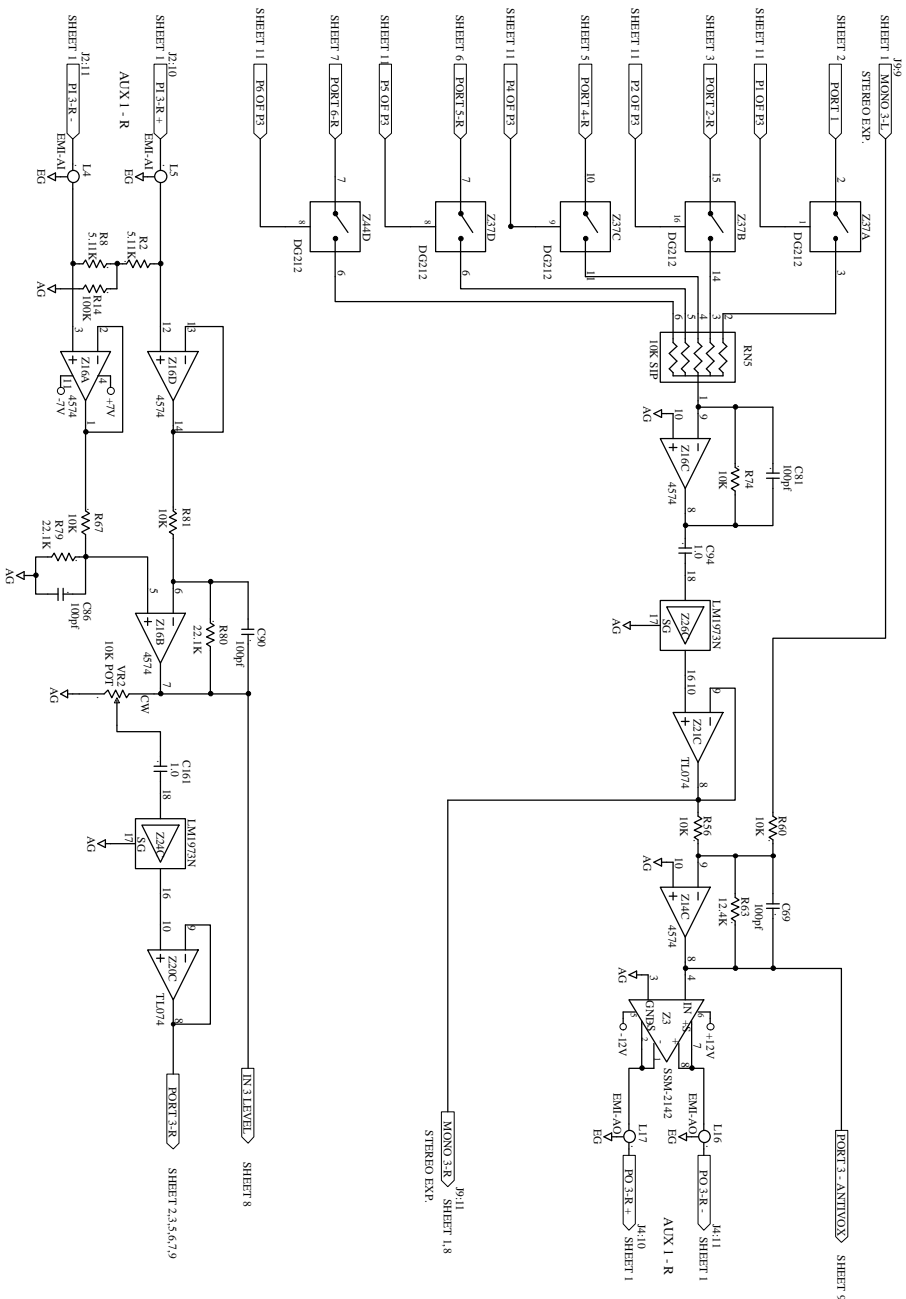


! * STATIC SENSITIVE *

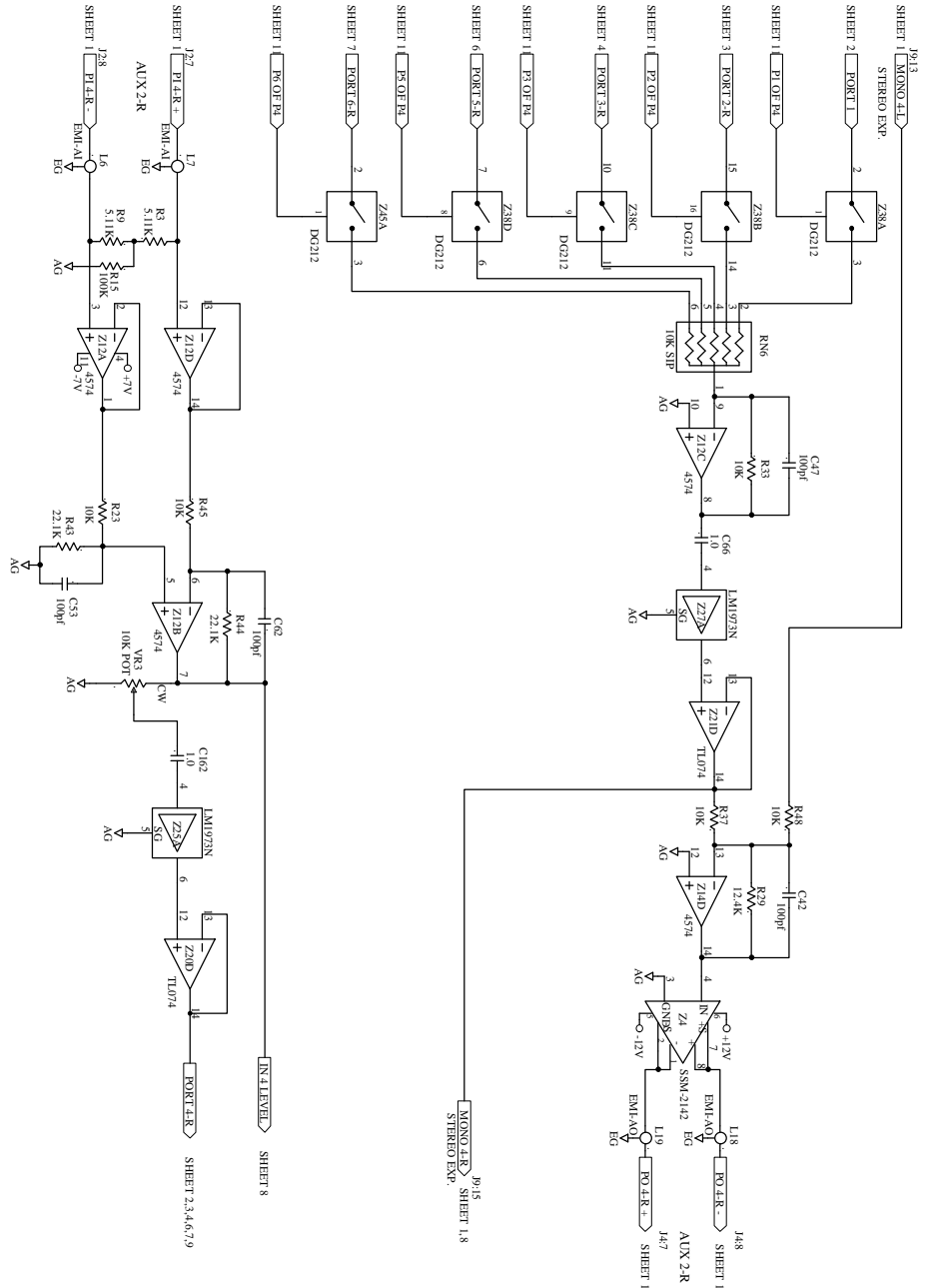






ACTION:		DRAWN: Mike Sherry		CHECKED:		DATE: 3/11/87		SHEET: 4		OF: 12		521-386		C	
---------	--	--------------------	--	----------	--	---------------	--	----------	--	--------	--	---------	--	---	--

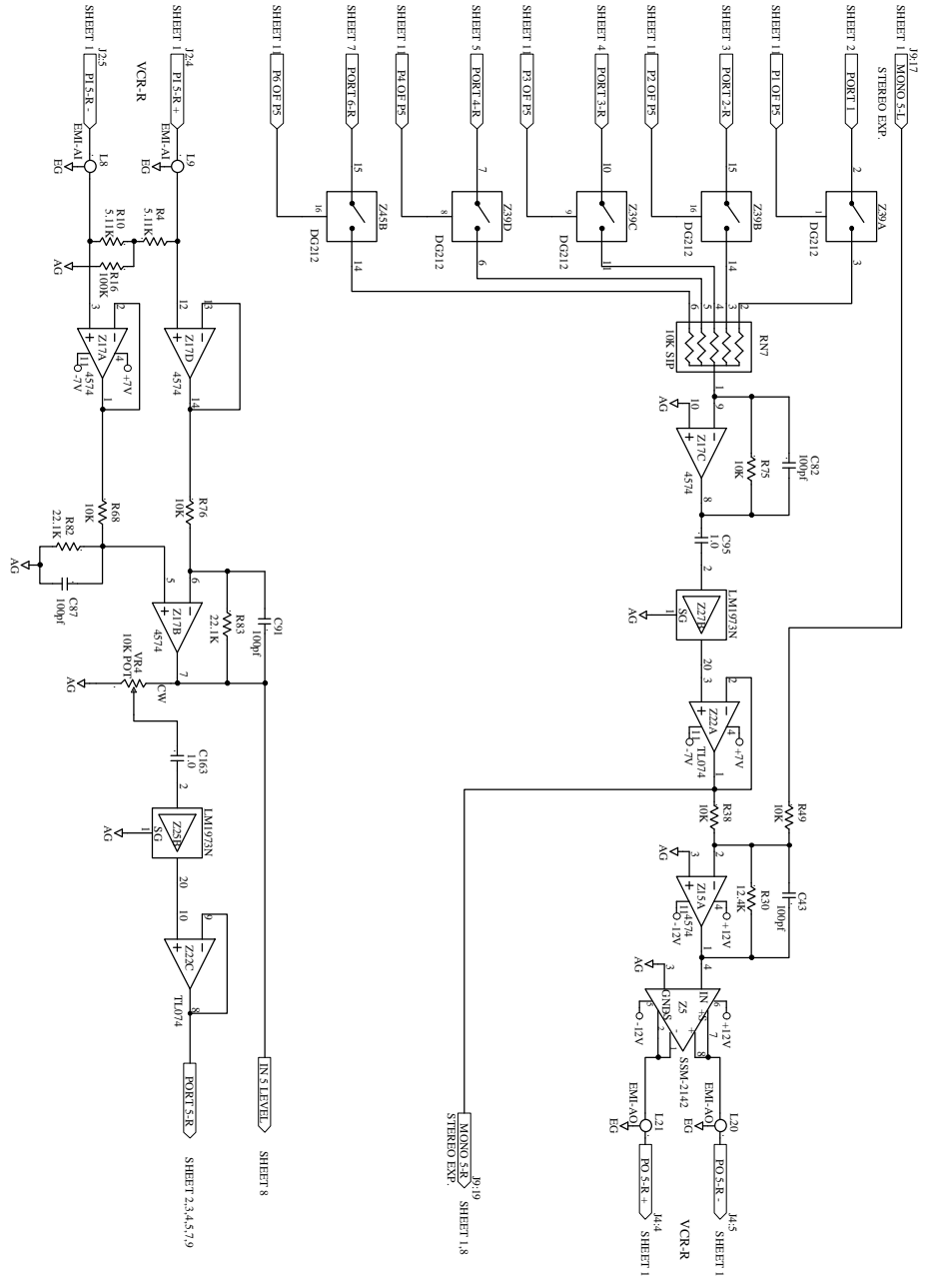
ECB 6 PORT 3 : AUX 1 - R



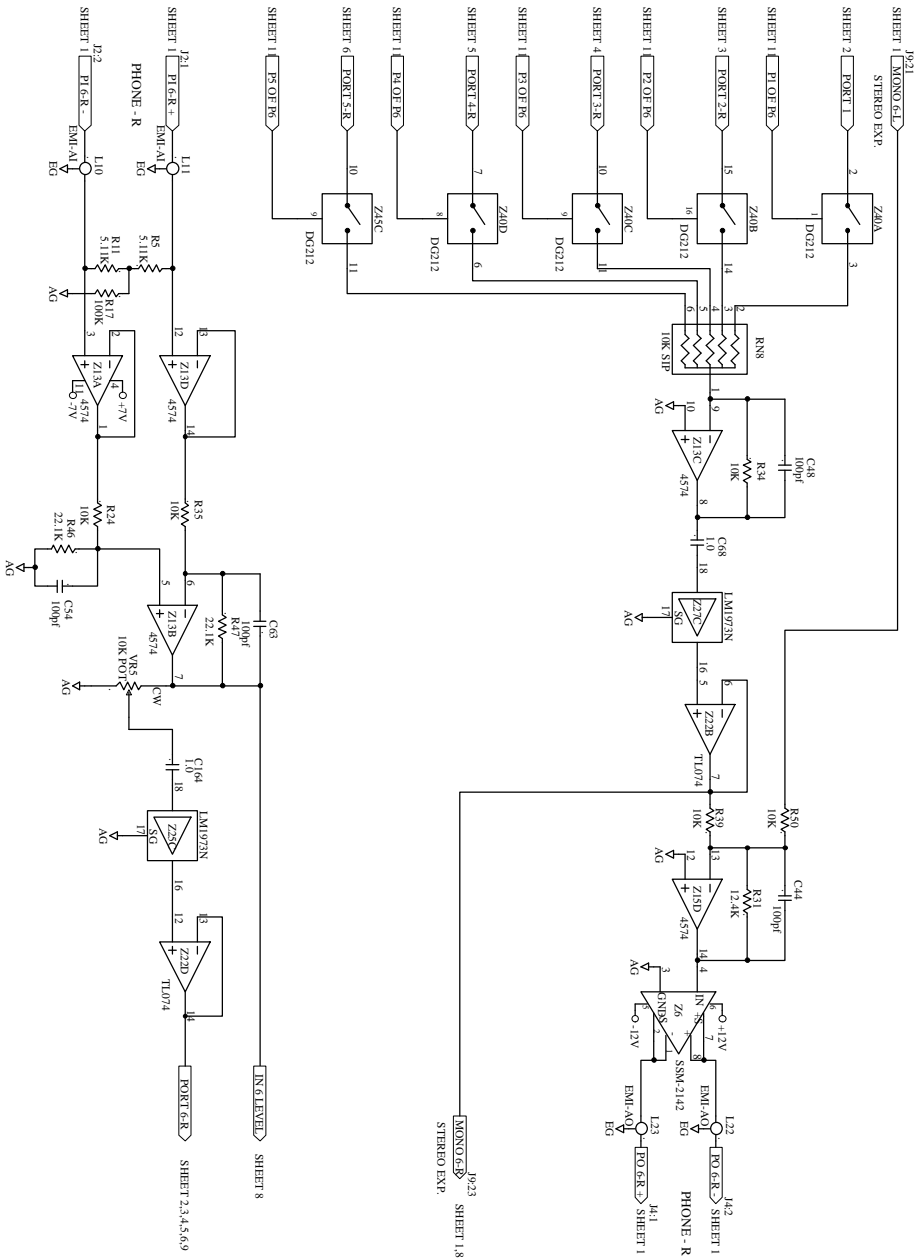
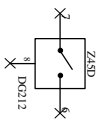
H:\ECB\ECB\SCH

3-04-1987

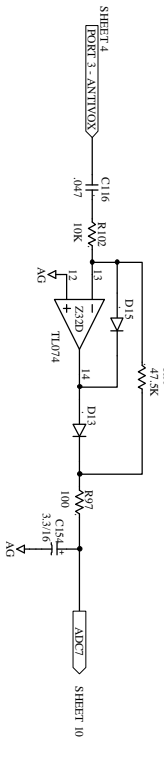
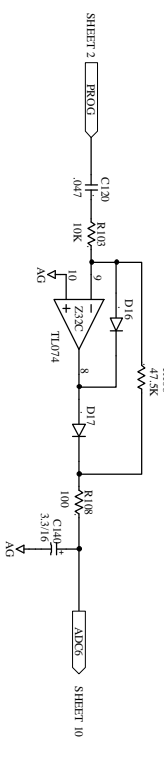
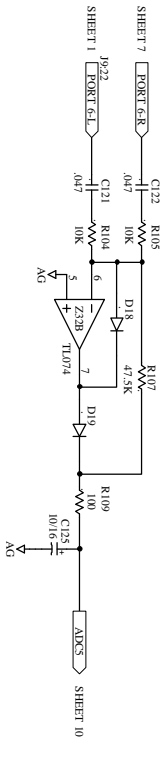
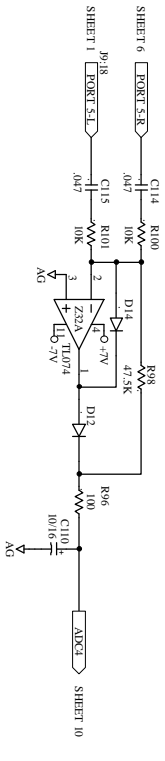
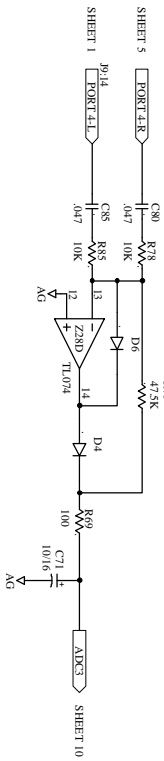
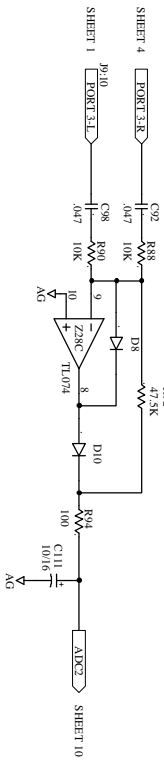
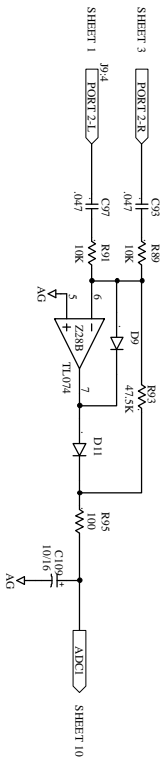
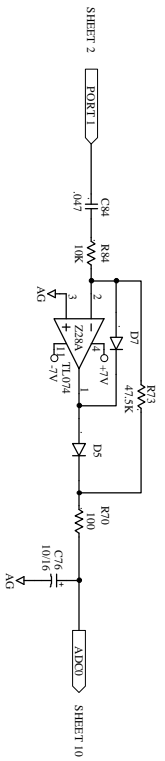
ACTION:			ECB 6 PORT 4 : AUX 2 - R
DRAWN: Mike Shetty	CHECKED:		
		SHEET 5 OF 12	521-387
			C



ACTION:			ECB 6 PORT 5 : VCR - R
DESIGNED BY	CHECKED		
DRAWN: Mike Shrivley DATE: 01/12/97	CHECKED:	FABRIK: RANE Elektronik AG Muehlweg, VIA 98275-0088	SHEET: 1 OF 12 521-388
			C



ACTION:			ECB 6 PORT 6 : PHONE - R
DESIGNED BY	DATE		
REVISED BY	DATE	14000 STEVENSON BLVD MARIETTA, GA 30067-5098 PHONE 770-575-5098	
CHECKED BY	DATE	SHEET 7 OF 12 521-389	
		C	



ACTION:			ECB 6 AVG AMPS P1-P6
DESIGNED BY	DATE		
DRAWN	CHECKED	10800 27th November 1997 Muddingra VA 98275-5098	SHEET 7 9 OF 12 521-391
Mike Shimmy			C

