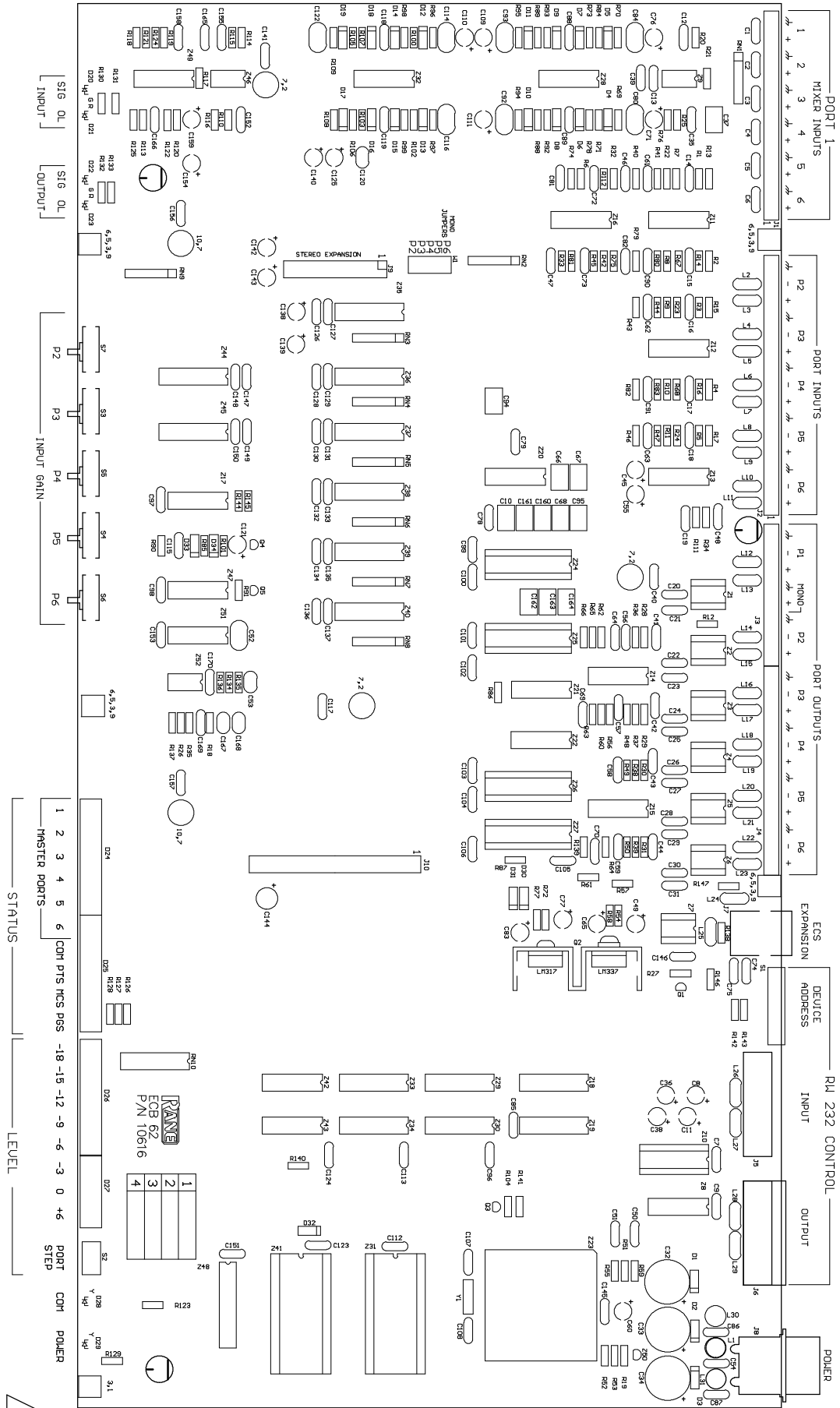
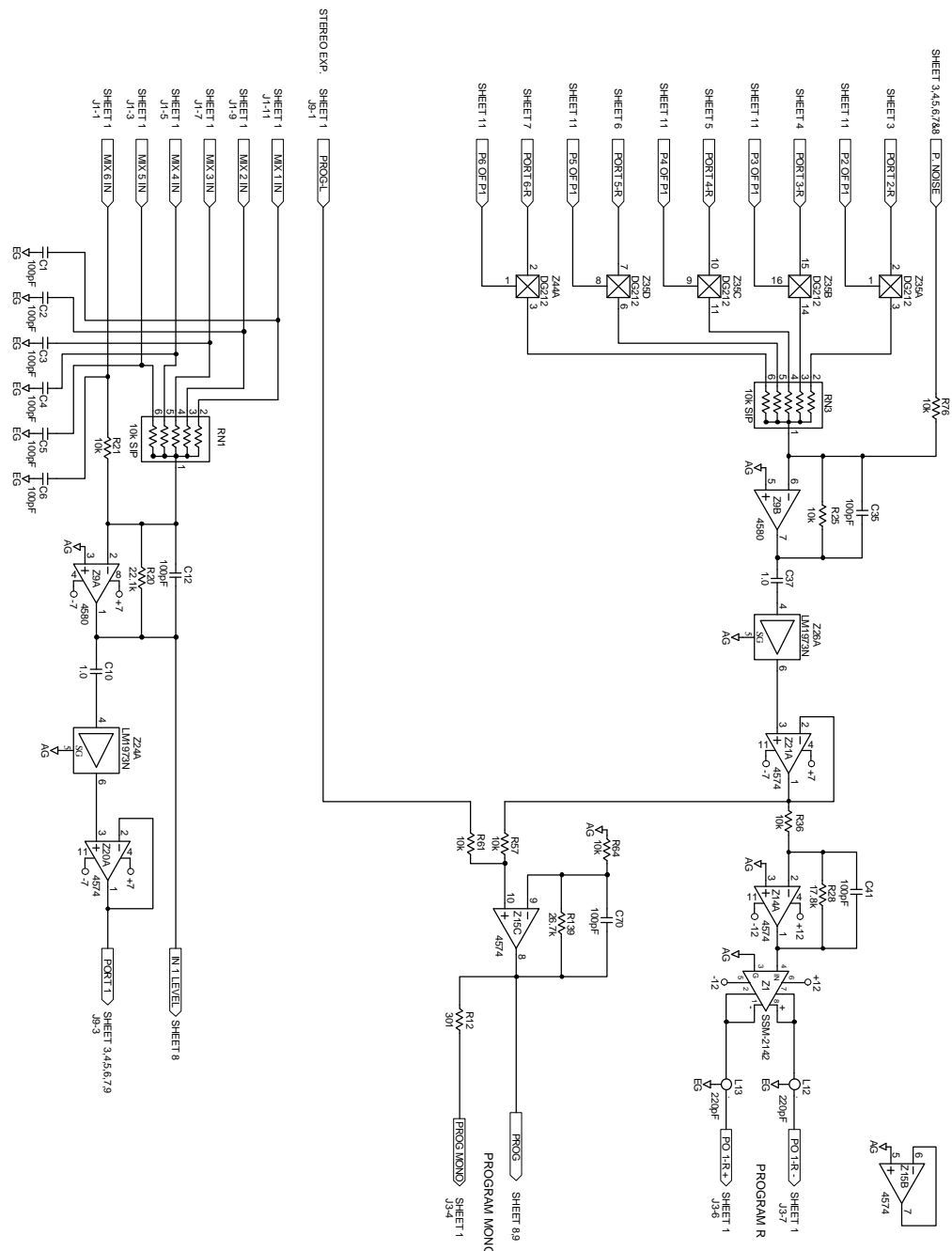


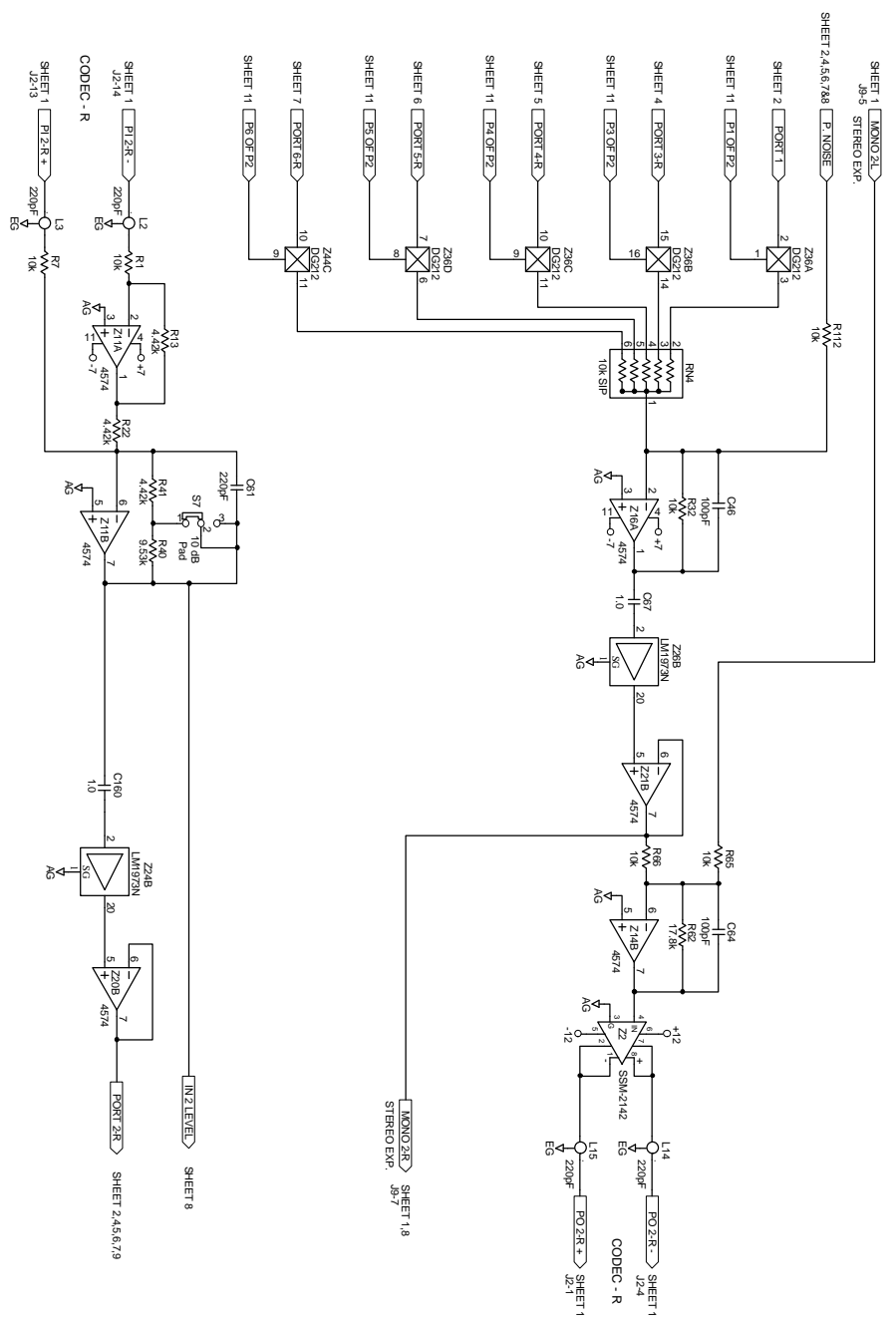
STATIC SENSITIVE



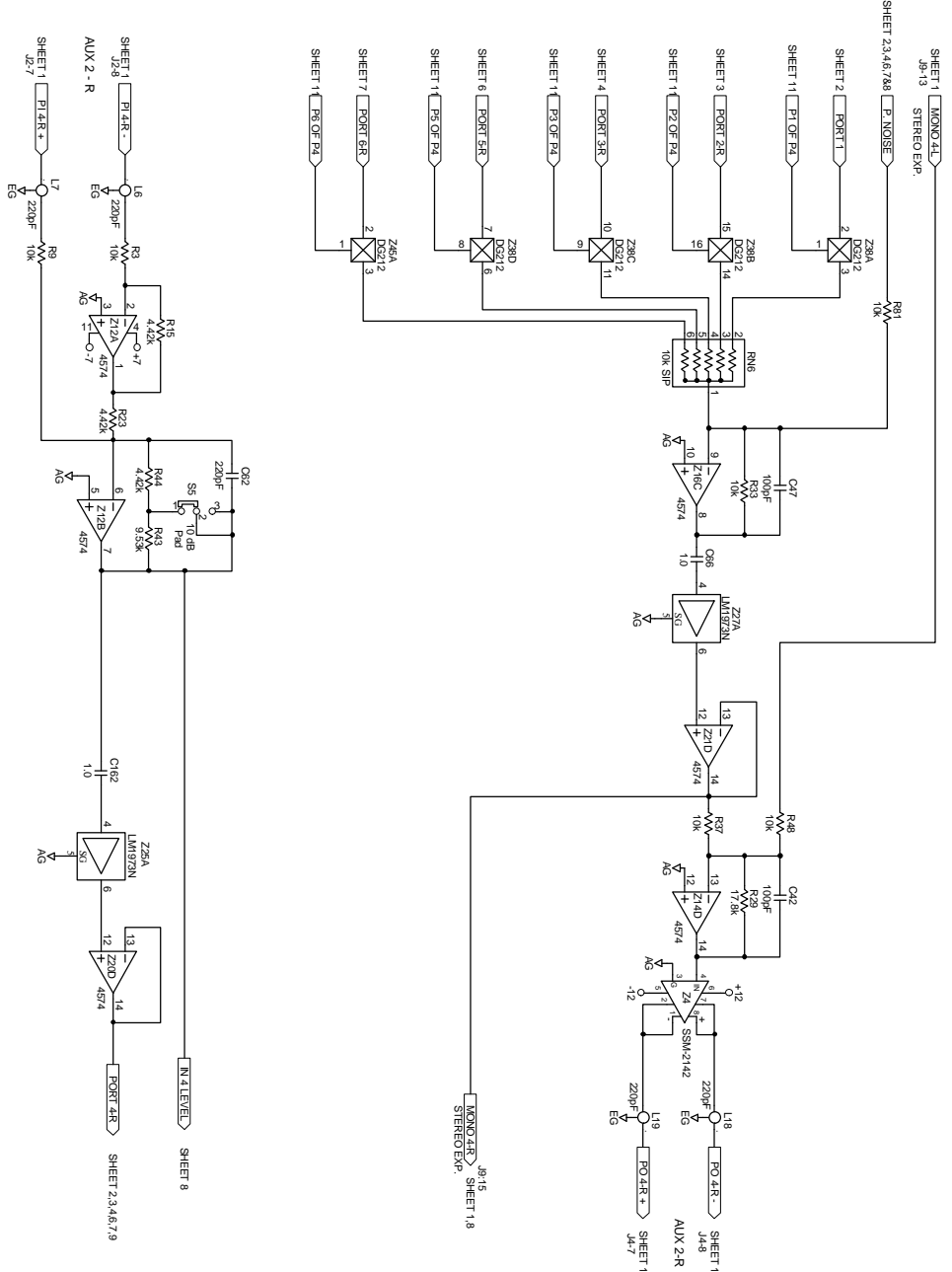
Rane Corp. (425)355-6000
 102957 DES ECB 62
 ACTION: NEW PRODUCT SKH 21MAY99



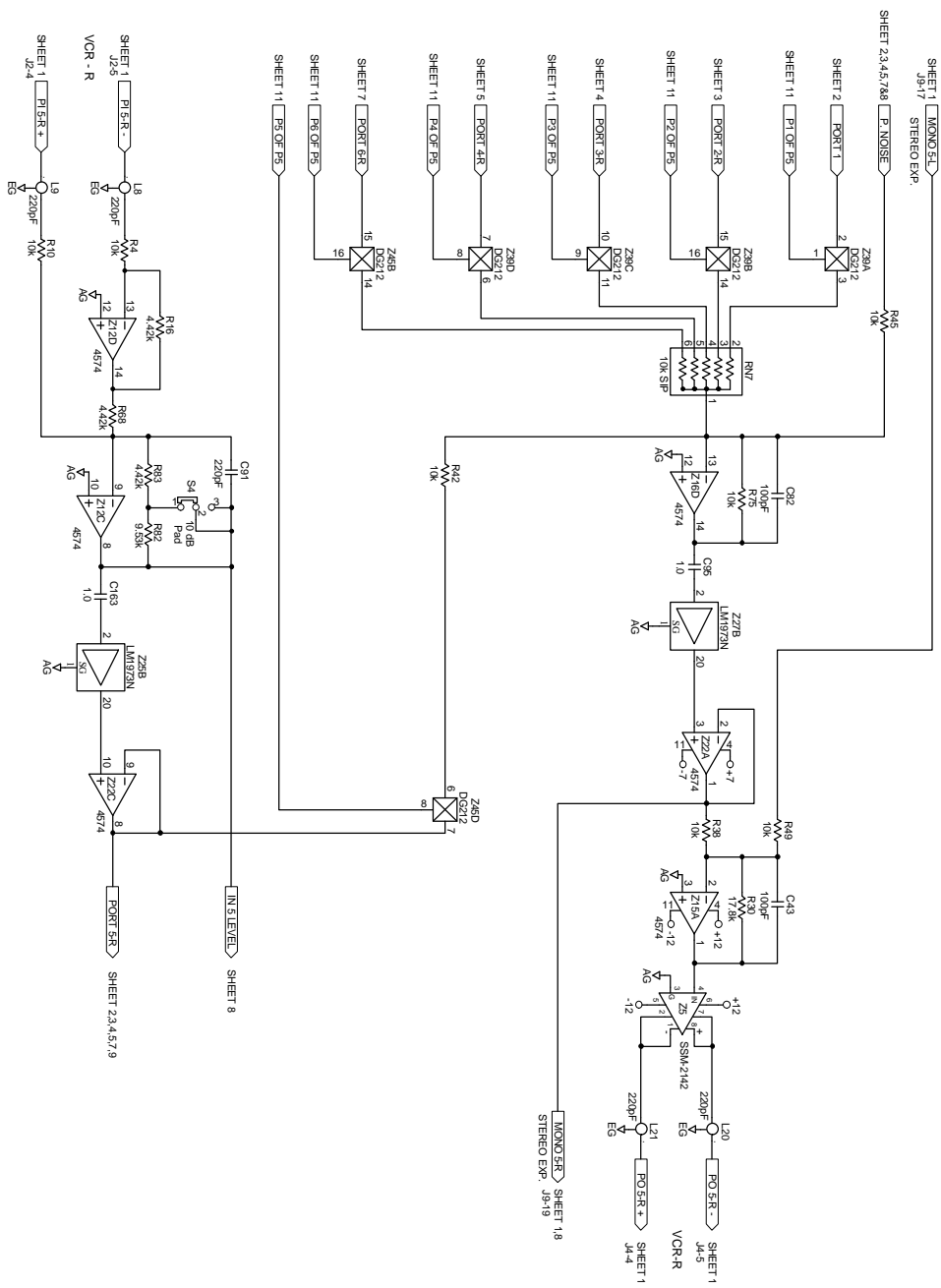
ACTION: DERIVED FROM 102796		DATE: 10/29/98	
DRAWN BY: MNS		CHECKED BY: EMS	
DESIGNER: ZS8 & Z21 (VERBETTER)		DRAWN BY: SMI (BAWVA)	
PROJECT: PORT 1 : ROOM/PROG ECB 62		SHEET: 2 of 12	
102954-2		102954	
Middletown VA 98275-5098		102954	



ACTION:	DESIGNED BY: P. J. M. 10/78
DRAWN BY:	Z. B. 2/11/78
CHECKED BY:	EMS
DATE:	10/29/78
REVISION:	3
OF:	12
PORT 2: CODEC - R ECB 62	



ACTION		DESIGNED BY: L. N. T. N.			PORT 4 : AUX 2 - R EC B 62
DRAWN BY: M. S.		CHECKED BY: E. M. S.			
DATE: 21.MAY.1999		MILWAUKEE, WI 53212		SHEET 5 OF 12	
102954		102954		102954	

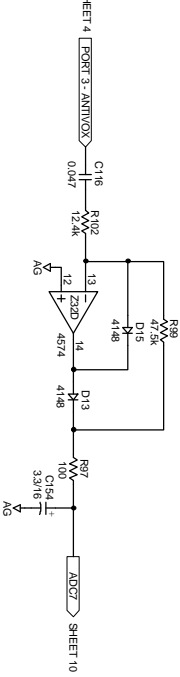
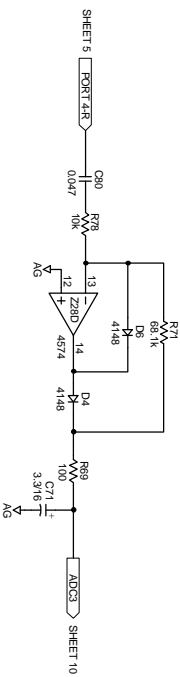
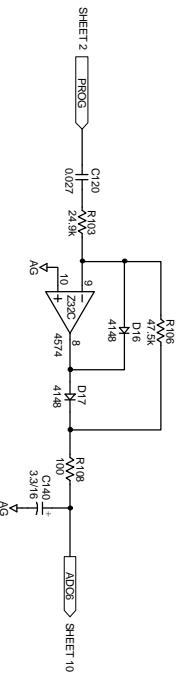
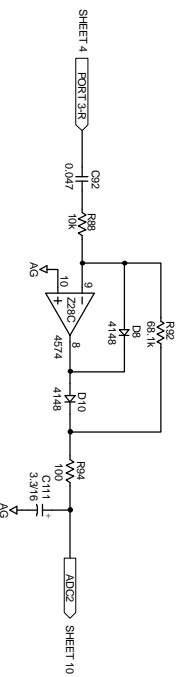
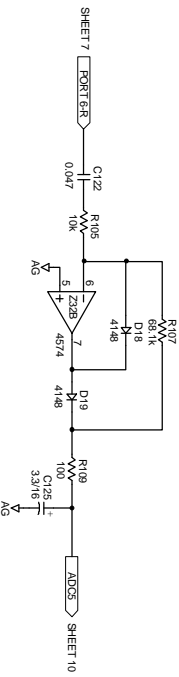
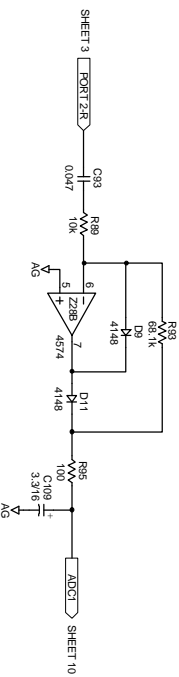
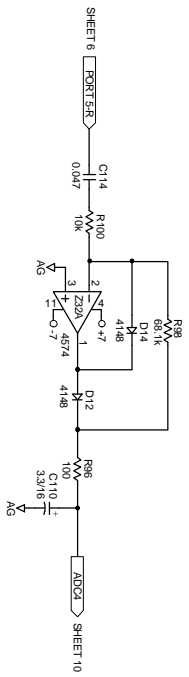
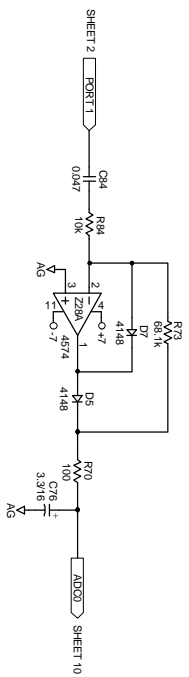


11/ECR24102954.6.SCH
21/May/1999

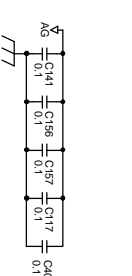
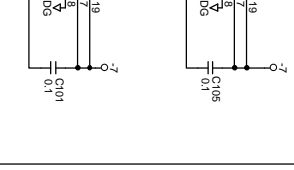
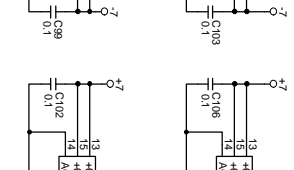
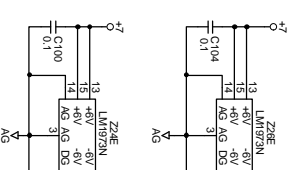
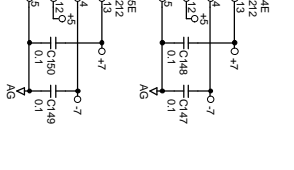
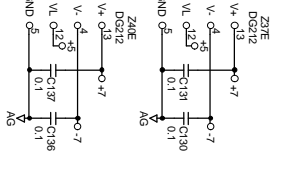
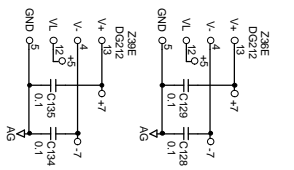
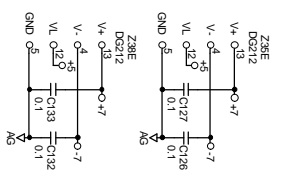
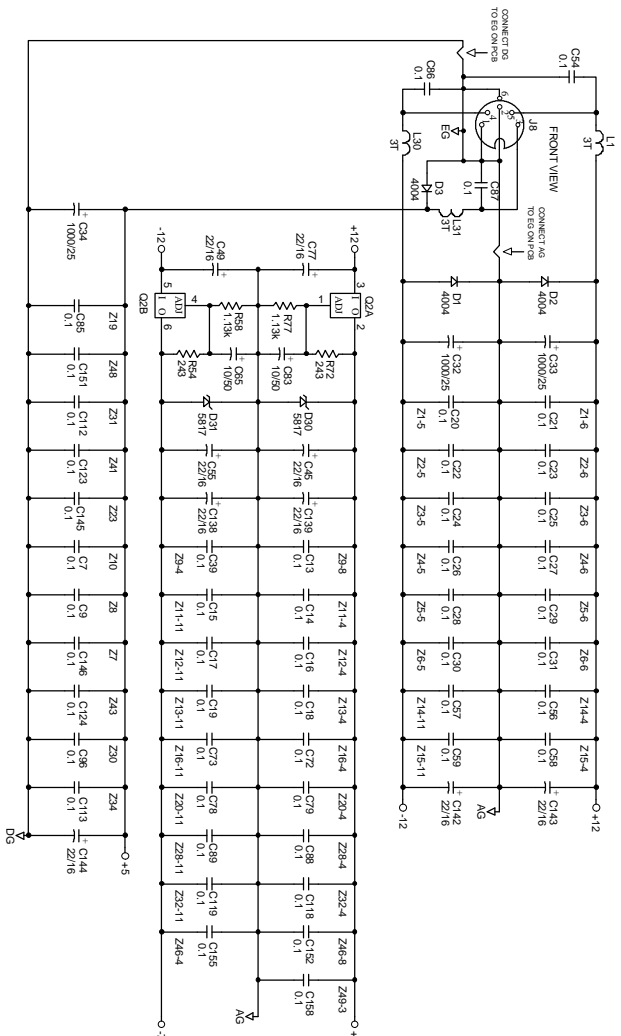


ACTION:	DESIGNED BY: MNS	CHECKED BY: EMS
DATE: 22/05/1999	DATE: 22/05/1999	DATE: 22/05/1999
DRIVEN BY: MNS	CHECKED BY: EMS	DATE: 22/05/1999
1800 W. BROADWAY MIDDLETOWN VA 22645-5098		

PORT 5 : VCR - R ECB 62
6 of 12 102954



ACTION	DESIGNATIONAL MARKS		AVG AMPS P1-P6 ECB 62
NO CHANGE TO THIS SHEET	SHI DRAWING		
DRAWN BY: MS	CHECKED BY: EMS	102954	SHEET
		Middletown VA 98275-5098	9 of 12
			102954



ACTION	DESIGNED FROM WIZBIE		1800-275-2754 Middleburg VA 22647-5098
DESIGNED BY	SMI (BMAW9)		
DRAWN BY	INS	CHECKED BY	EMS
POWER SUPPLY ECB 62		DATE	12of 12 102954