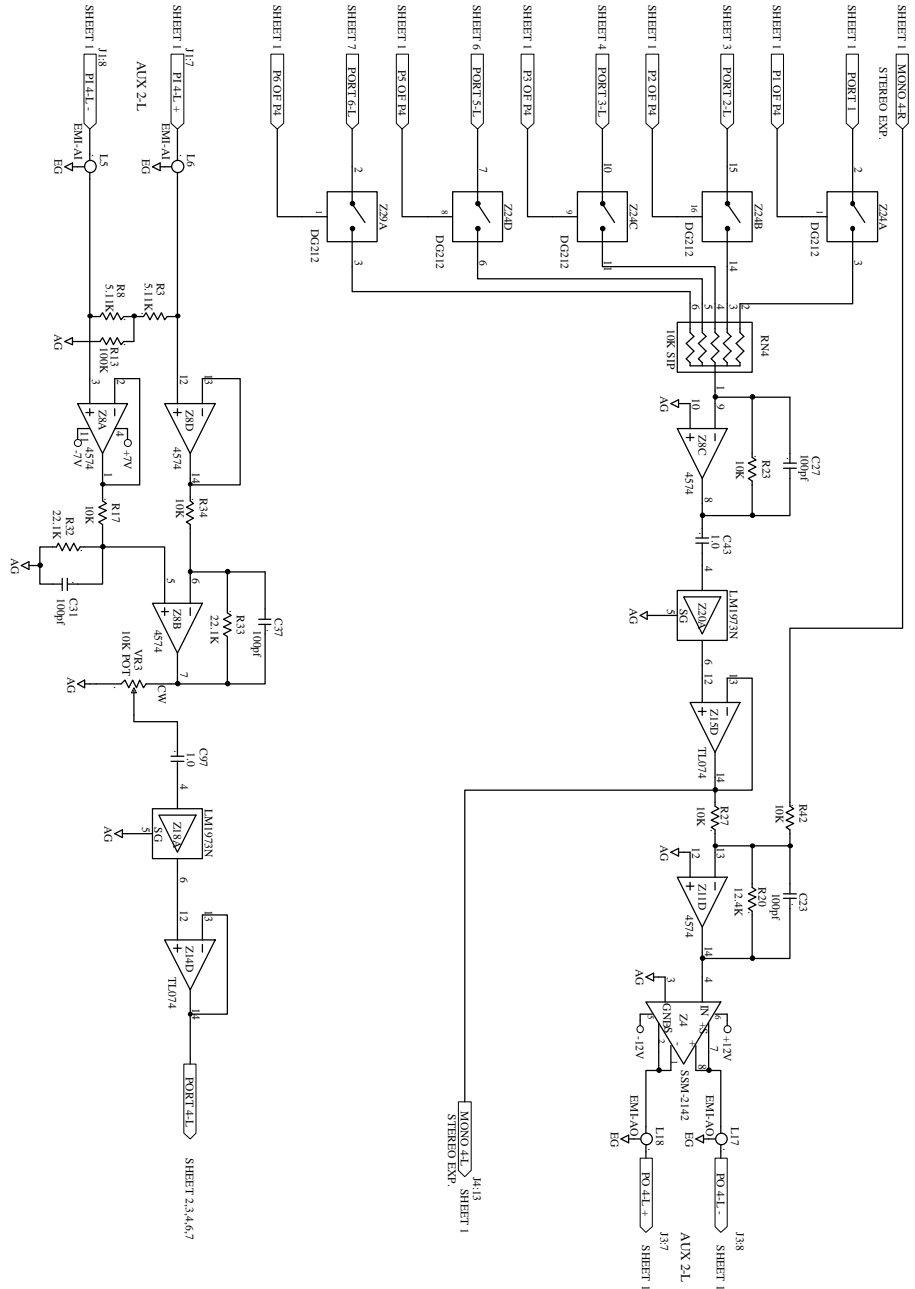


ACTION:		REVISED:		DATE:	
IRAVN	10/20/97	REH	2/2/97	5/21/97	5098
MW	5/21/97	REH	2/2/97	5/21/97	5098
RANE		PORT 3 : AUX 1 - R		SHEET 4 OF 8	
RANE AUDIO CORPORATION		10000 WOODBRIDGE AVENUE		521-407	
MILFORD, MA 01908		MASSACHUSETTS		A	



ACTION:			
DESIGNED BY	REVISED BY	DATE	REV
IRAWAN	REH Z27197	1997.04.08	1
MANUFACTURED BY	DATE	REV	REV
MIND SHIPPY	5/01/8	521-408	A

PORT 4 : AUX 2 - R

