

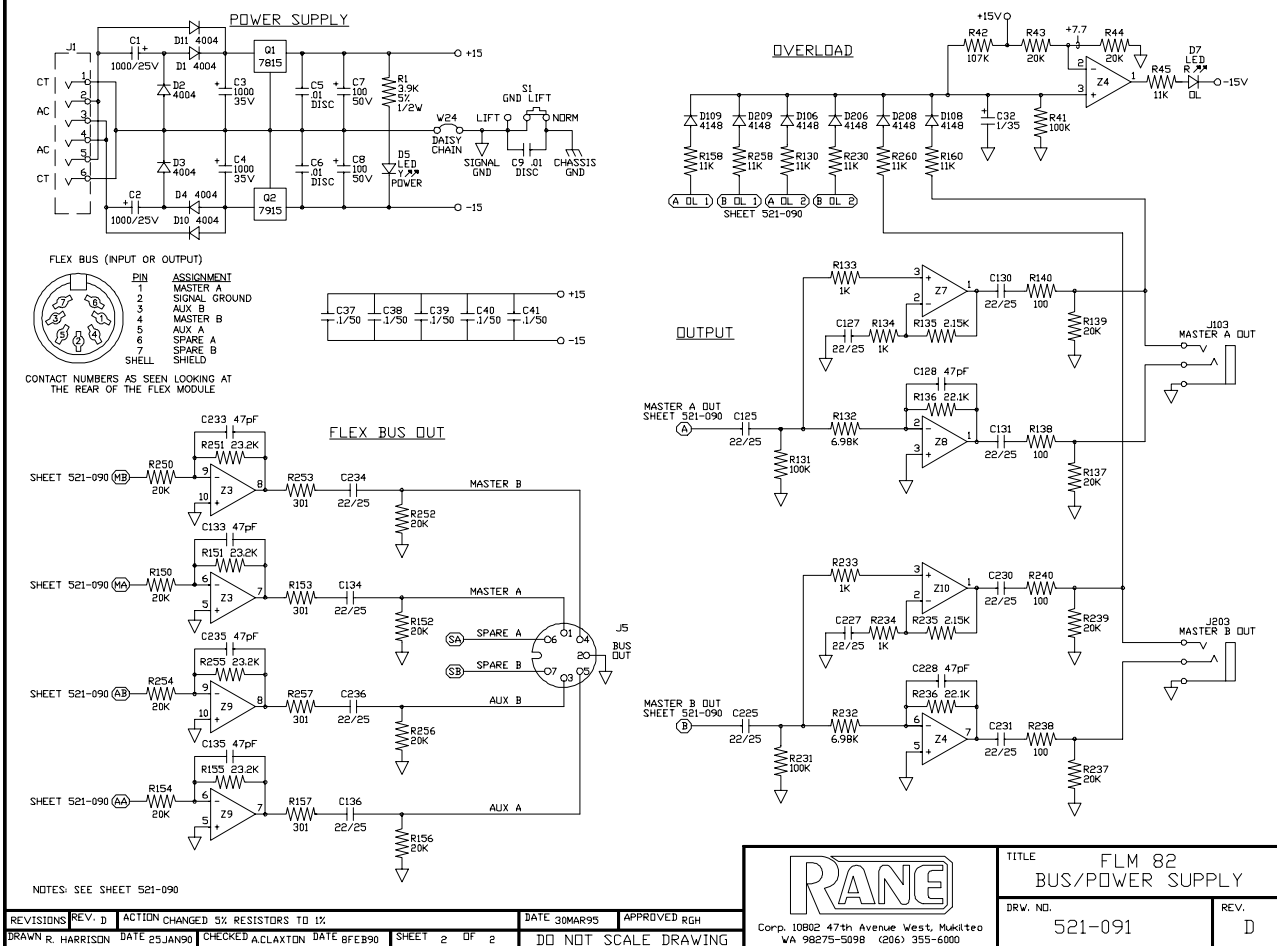
RANE

TITLE: FLM 82 SCHEMATIC I/O

DRW. NO.: 521-090

REV.: C

Corp. 10802 47th Avenue West, Mukilteo WA 98275-5098 (206) 355-6000



RANE

TITLE: FLM 82 BUS/POWER SUPPLY

DRW. NO.: 521-091

REV.: D

Corp. 10802 47th Avenue West, Mukilteo WA 98275-5098 (206) 355-6000

