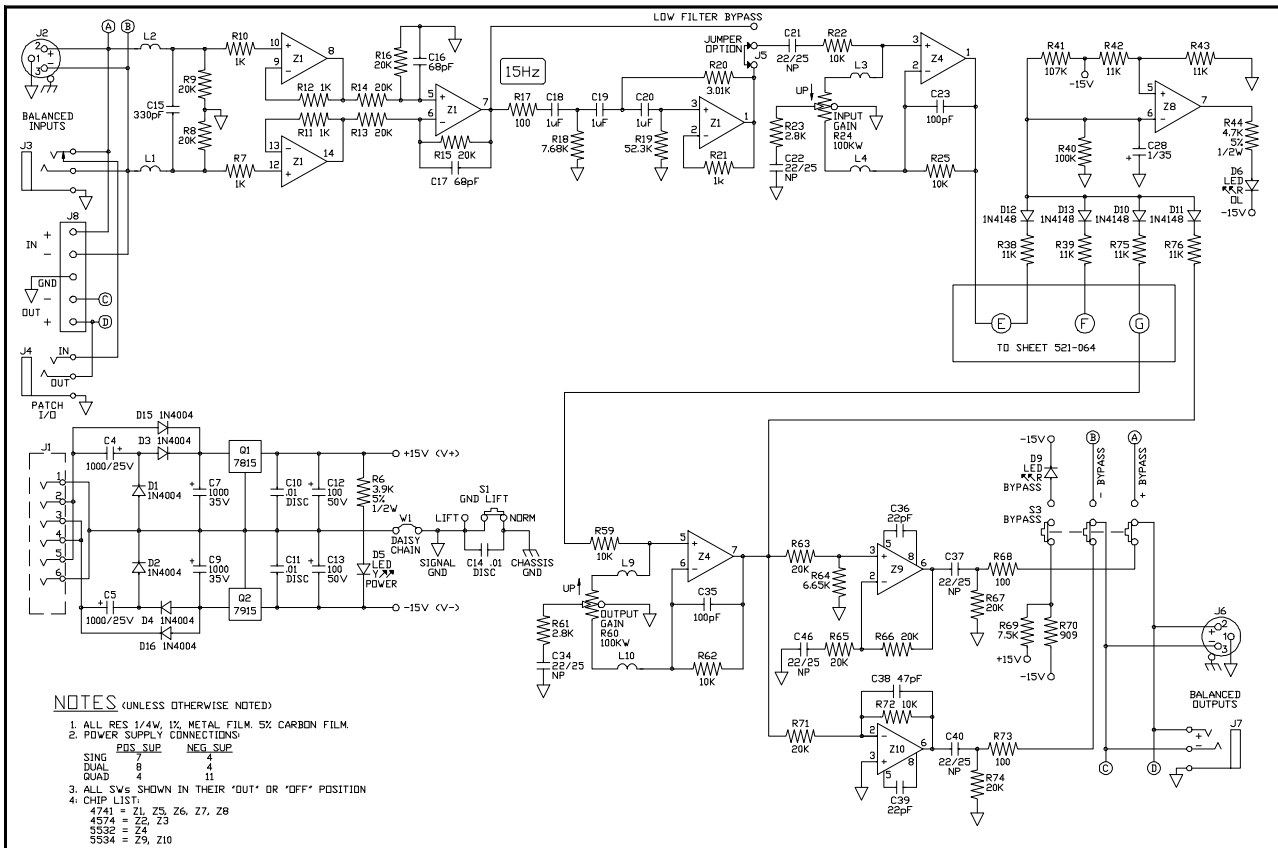
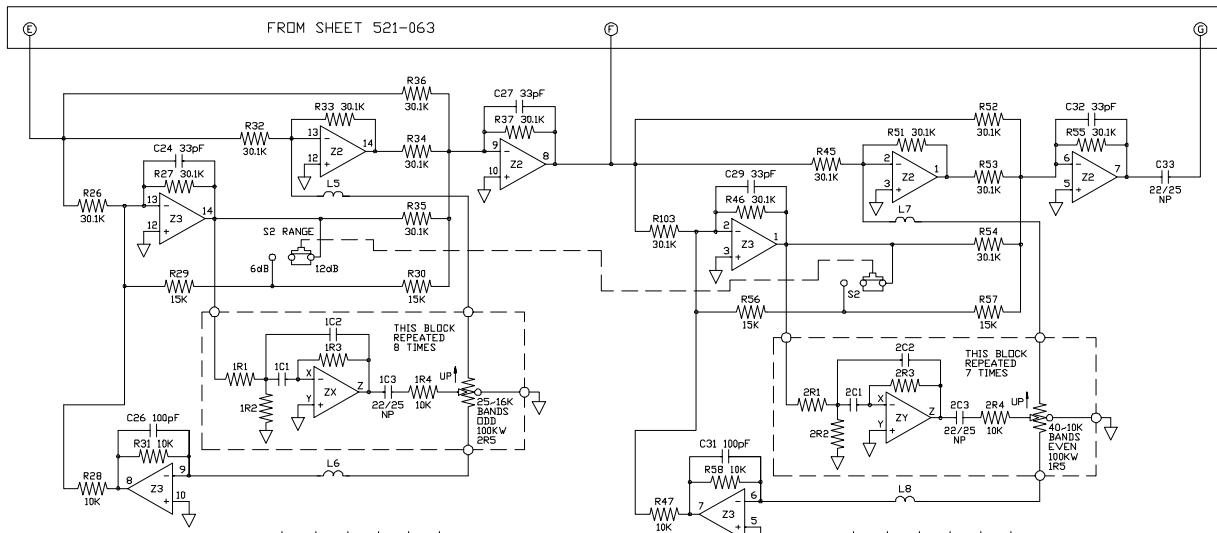


522-042:E FME 15 ASSY SPT 22JUN92
 ACTION: CHANGED J8 TERMINALS, MOVED RESISTORS AWAY FROM DIPS



				TITLE FME 15 SCHEMATIC I/O	
Corp. 10802 47th Avenue West, Mukitoe WA 98275-5098 (206) 355-6000				DRW. NO. 521-063	
REVISIONS REV. H ACTION CHANGED 5% RESISTORS TO 1%. MODIFIED NOTE #1 DATE 06JAN95 APPROVED AVC				REV. H	
DRAWN S. TURNIDGE DATE 16AUG89 CHECKED A. CLAXTON DATE 31AUG89 SHEET 1 OF 2 DO NOT SCALE DRAWING				REV. H	



PREFIX	FREQ	ZX	X	Y	Z
1	25	Z5	13	12	14
3	63	Z5	2	3	1
5	160	Z6	9	10	8
7	400	Z6	2	3	1
9	1K	Z6	9	10	8
11	2.5K	Z7	9	10	8
13	6.3K	Z7	2	3	1
15	16K	Z8	2	3	1

PREFIX	FREQ	ZY	X	Y	Z
2	40	Z5	9	10	8
4	100	Z6	13	12	14
6	250	Z5	6	5	7
8	630	Z6	6	5	7
10	1.6K	Z8	13	12	14
12	4K	Z7	13	12	14
14	10K	Z7	6	5	7

				TITLE FME 15 DETAILS	
Corp. 10802 47th Avenue West, Everett WA 98204-3400 (206) 355-6000				DRW. NO. 521-064	
REVISIONS REV. C ACTION CHANGED RANGE SWITCH TO MATCH PCB DATE 18APR90 APPROVED AVC				REV. C	
DRAWN S. TURNIDGE DATE 16AUG89 CHECKED A. CLAXTON DATE 31AUG89 SHEET 2 OF 2 DO NOT SCALE DRAWING				REV. C	

U.S. PATENT 4,891,841