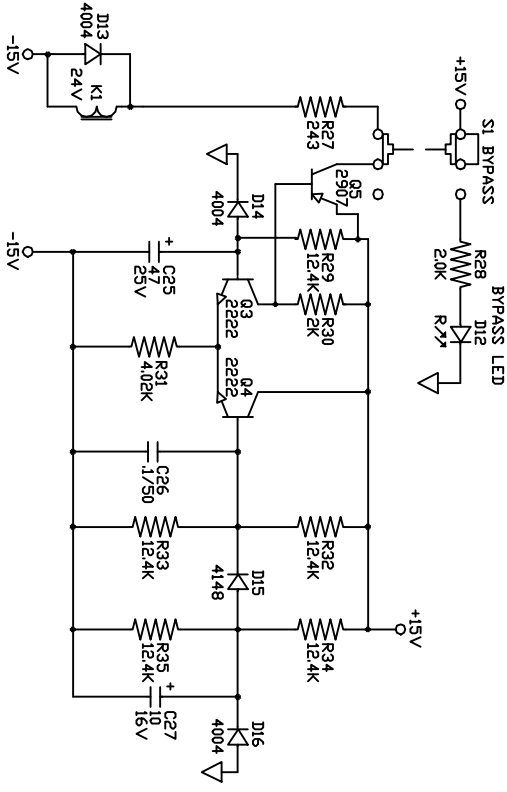
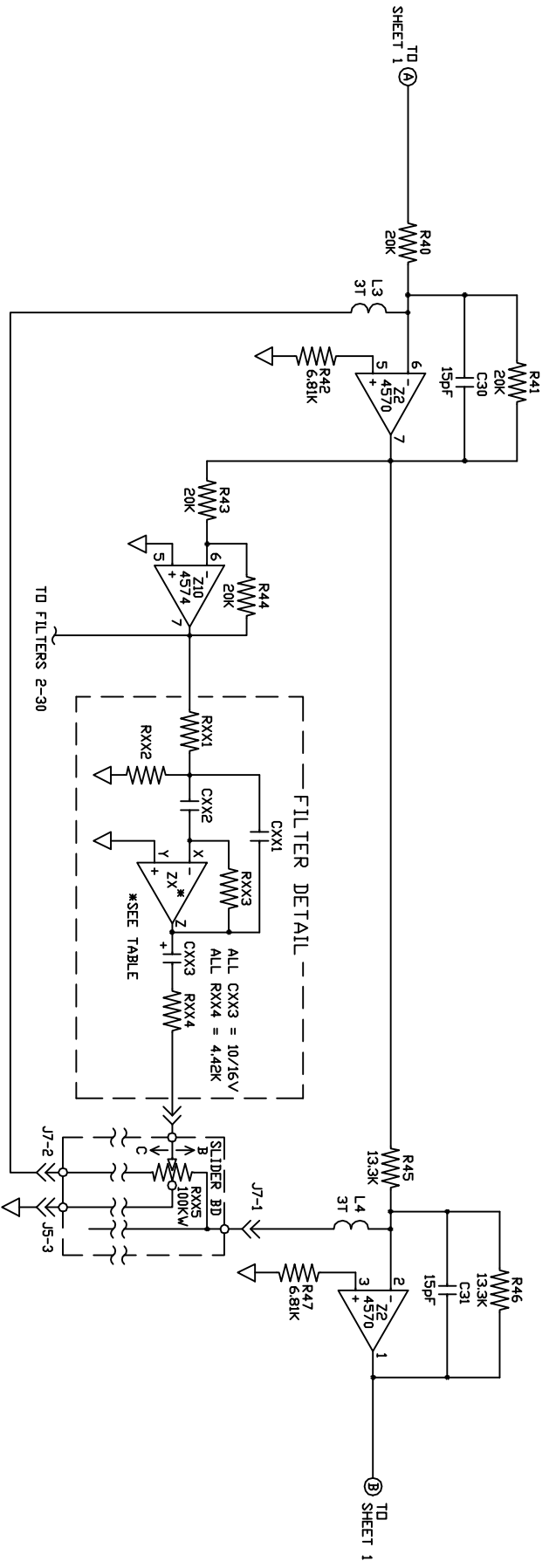


POWER-UP/BYPASS RELAY

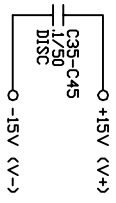


NOTES (UNLESS OTHERWISE SPECIFIED)

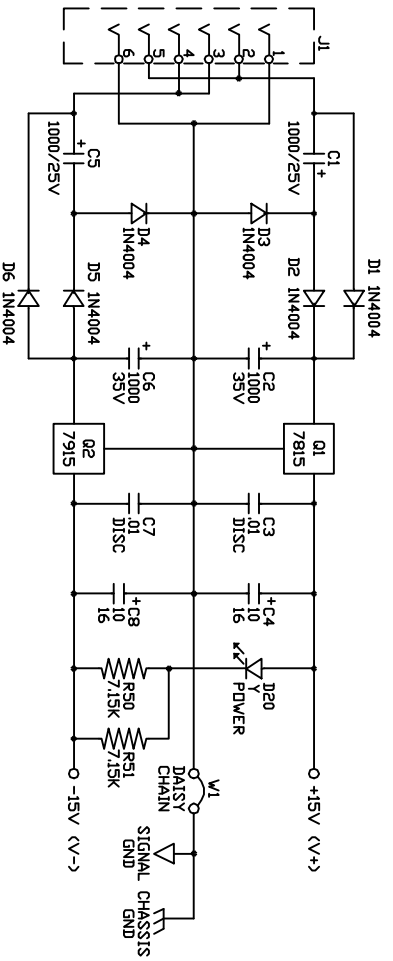
1. ALL RES 1/4W 1% METAL FILM
2. ALL CAPS 100V POLY
3. QUADS PIN 4, DUALS PIN 8 ARE +V
4. ALL SW'S SHOWN IN THEIR "OUT" OR "OFF" POSITION



DECOUPLING CAPS



POWER SUPPLY



NOTES (UNLESS OTHERWISE SPECIFIED)

1. ALL RES 1/4W 1% METAL FILM
2. ALL CAPS 100V POLY
3. QUADS PIN 4, DUALS PIN 8 ARE +V
4. ALL SW'S SHOWN IN THEIR 'DUT'
5. DR - DEF POSITION
6. FCS: Z3-Z9 = DP11 DR EQUIV
7. FILTER DESIGNATION SCHEME:
X XX X



EXAMPLE: C072
CAPACITOR, FILTER 07 (100HZ), NUMBER 2

ZX CONNECTION TABLE

1	2	3	4	5	6	7	8	9	10	11	12	13	14	15
25	31.5	40	50	63	80	100	125	160	200	250	315	400	500	630
Z3	Z3	Z3	Z3	Z3	Z4	Z4	Z4	Z5	Z5	Z5	Z5	Z6	Z6	Z6
X	X	X	X	X	X	X	X	X	X	X	X	X	X	X
9	12	12	12	12	12	12	12	12	12	12	12	12	12	12
10	10	10	10	10	10	10	10	10	10	10	10	10	10	10
8	8	8	8	8	8	8	8	8	8	8	8	8	8	8
7	7	7	7	7	7	7	7	7	7	7	7	7	7	7
14	14	14	14	14	14	14	14	14	14	14	14	14	14	14
1	1	1	1	1	1	1	1	1	1	1	1	1	1	1

FILTER TABLE

16	17	18	19	20	21	22	23	24	25	26	27	28	29	30
800	1K	1.25K	1.5K	2K	2.5K	3.15K	4K	5K	6.3K	8K	10K	12.5K	16K	20K
Z6	Z7	Z7	Z7	Z7	Z8	Z8	Z8	Z8	Z9	Z9	Z9	Z9	Z9	Z9
X	X	X	X	X	X	X	X	X	X	X	X	X	X	X
6	6	6	6	6	6	6	6	6	6	6	6	6	6	6
5	5	5	5	5	5	5	5	5	5	5	5	5	5	5
7	7	7	7	7	7	7	7	7	7	7	7	7	7	7
12	12	12	12	12	12	12	12	12	12	12	12	12	12	12
8	8	8	8	8	8	8	8	8	8	8	8	8	8	8
13	13	13	13	13	13	13	13	13	13	13	13	13	13	13
1	1	1	1	1	1	1	1	1	1	1	1	1	1	1



TITLE: SCHEM EQ/PWR
GEI30