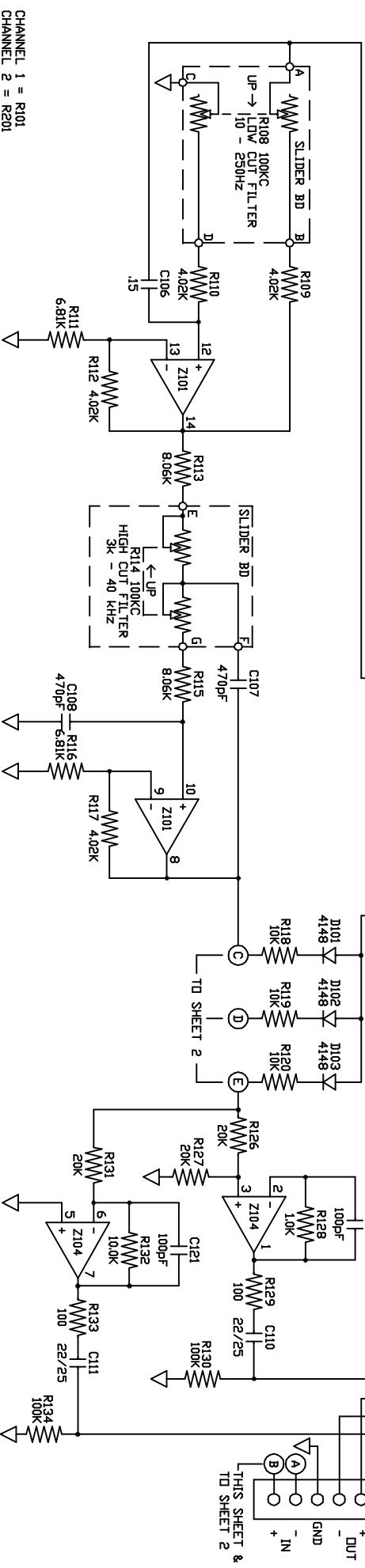
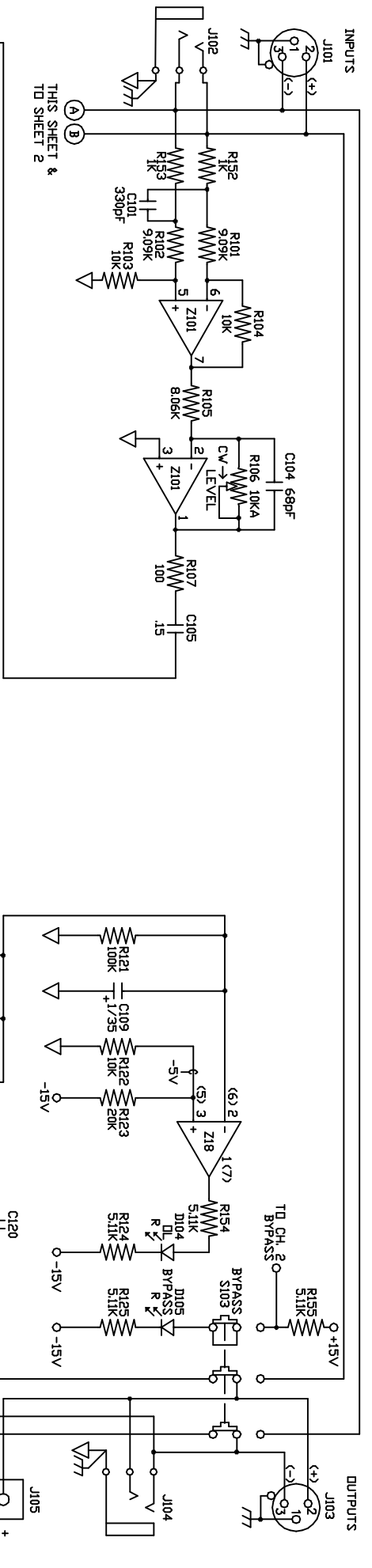


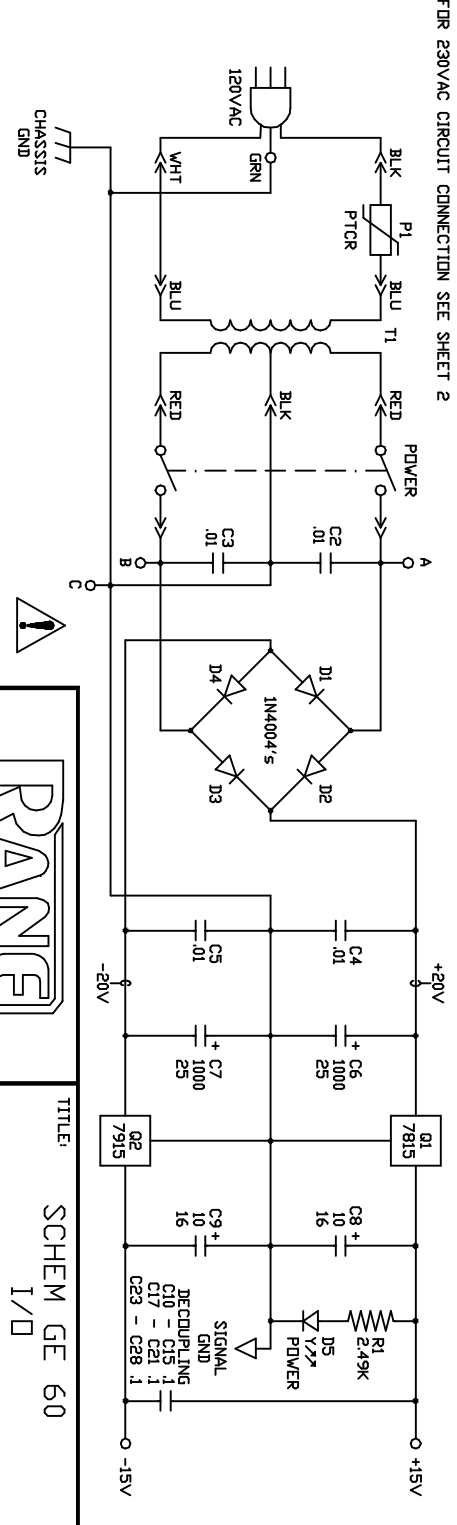
Rane Corp. (425)355-6000  
 101622 DES: MAIN GE 60  
 ACTION: NO CHANGE TO PARTS, NEW DOC# FJ 27FEB98



**NOTES**

UNLESS OTHERWISE SPECIFIED:

1. ALL RESISTORS 1/4W 1% METAL FILM
2. QUADS PIN 4, DUALS PIN 8 ARE +V  
QUADS PIN 11, DUALS PIN 4 ARE -V
3. ALL SW'S SHOWN IN THEIR 'DUT'  
OR 'OFF' POSITION
4. IC'S:  
Z1-76, Z8- Z11, Z13- Z16, Z101, Z201 = OP111DR EQUIV  
Z7, Z12 = 45701DR EQUIV  
Z104, Z04 = 5532DR EQUIV  
Z102, Z202 = 4574DR EQUIV
5. FILTER DESIGNATION SCHEME:  
X X X XX X  
DESIGNATOR  
FILTER NUMBER (01-30)  
CHANNEL NUMBER (1,2)  
COMPONENT TYPE



FOR 230VAC CIRCUIT CONNECTION SEE SHEET 2

REVISIONS: SKH APPROVED: F.J DATE: 17NOV99

DATE: 12MAR93

DATE: 17NOV99



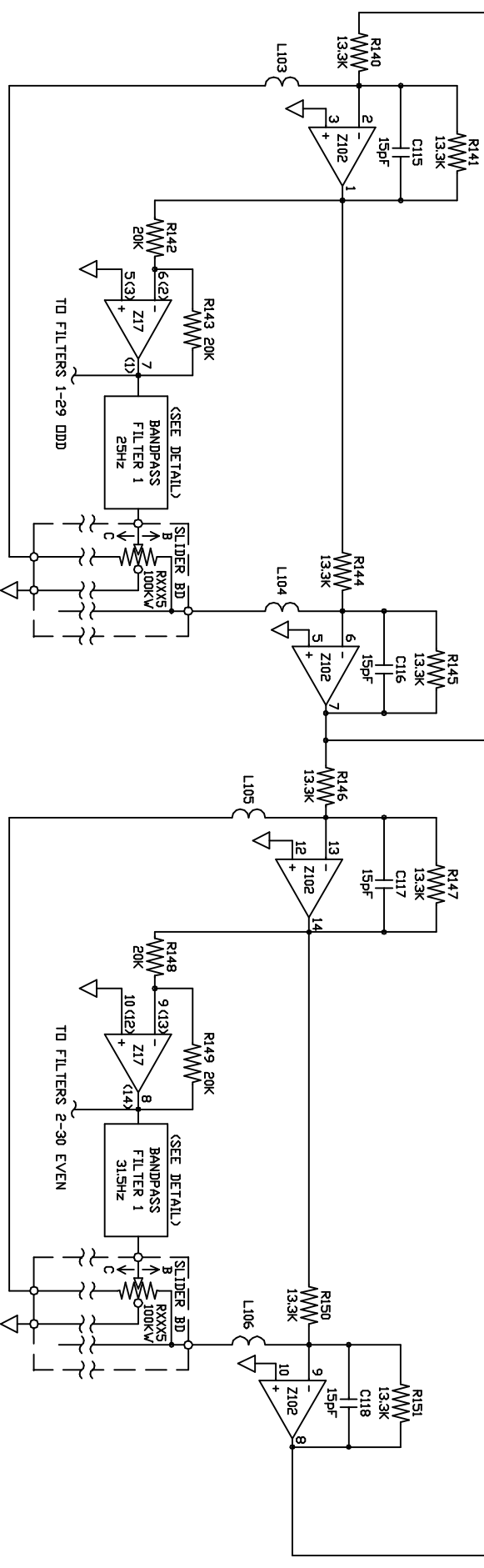
Comp. 10802 47th Avenue West, Mukilteo  
WA 98275-5098 (425) 355-6000

TITLE: SCHEM GE 60  
I/D  
DDC. NO. 103619

FROM SHEET 1

FROM SHEET 1

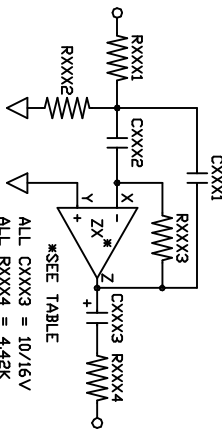
FROM SHEET 1



ZX CONNECTIONS

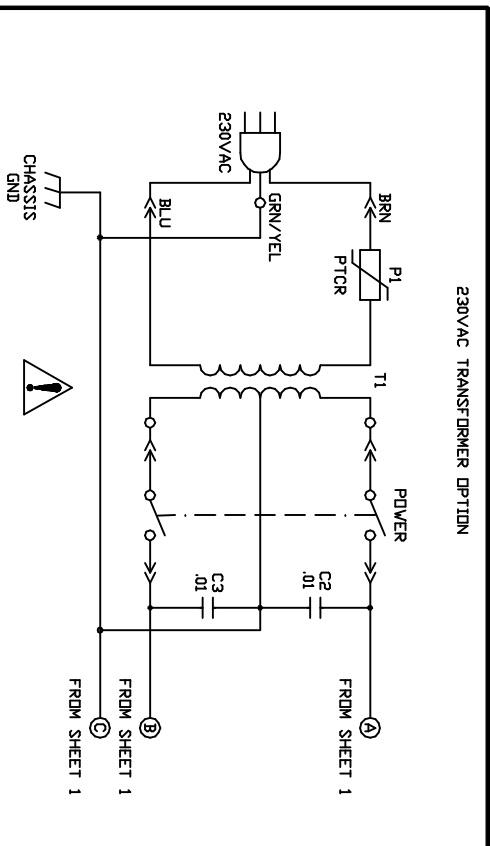
CHANNEL 1				CHANNEL 2			
FILTER	FREQ	ZX	X Y Z	FILTER	FREQ	ZX	X Y Z
1	25	Z12	2 3 1	1	25	Z2	9 10 8
2	31.5	Z13	6 5 7	2	31.5	Z2	13 12 14
3	40	Z13	2 3 1	3	40	Z3	9 10 8
4	50	Z14	6 5 7	4	50	Z3	13 12 14
5	63	Z14	2 3 1	5	63	Z3	6 5 7
6	80	Z16	2 3 1	6	80	Z3	2 3 1
7	100	Z16	6 5 7	7	100	Z2	6 5 7
8	125	Z15	2 3 1	8	125	Z2	2 3 1
9	160	Z15	6 5 7	9	160	Z1	9 10 8
10	200	Z15	9 10 8	10	200	Z1	13 12 14
11	250	Z15	13 12 14	11	250	Z4	9 10 8
12	315	Z16	9 10 8	12	315	Z4	13 12 14
13	400	Z16	13 12 14	13	400	Z6	13 12 14
14	500	Z14	13 12 14	14	500	Z6	9 10 8
15	630	Z14	9 10 8	15	630	Z5	13 12 14
16	800	Z13	13 12 14	16	800	Z5	9 10 8
17	1k	Z13	9 10 8	17	1k	Z5	6 5 7
18	1.25k	Z12	6 5 7	18	1.25k	Z5	2 3 1
19	1.6k	Z7	2 3 1	19	1.6k	Z6	6 5 7
20	2k	Z8	6 5 7	20	2k	Z6	2 3 1
21	2.5k	Z8	2 3 1	21	2.5k	Z4	2 3 1
22	3.15k	Z9	6 5 7	22	3.15k	Z4	6 5 7
23	4k	Z9	2 3 1	23	4k	Z1	2 3 1
24	5k	Z11	2 3 1	24	5k	Z1	6 5 7
25	6.3k	Z11	6 5 7	25	6.3k	Z7	6 5 7
26	8k	Z10	2 3 1	26	8k	Z8	9 10 8
27	10k	Z10	6 5 7	27	10k	Z8	13 12 14
28	12.5k	Z10	13 12 14	28	12.5k	Z9	9 10 8
29	16k	Z11	9 10 8	29	16k	Z9	13 12 14
30	20k	Z11	13 12 14	30	20k	Z10	9 10 8

FILTER DETAIL



SEE NOTES SHEET 1

CHANNEL 1 = R101  
 CHANNEL 2 = R201  
 CHANNEL 1 SHOWN, CHANNEL 2 IDENTICAL



Corp. 10802 47th Avenue West, Mukilteo  
 WA 98275-5098 (425) 355-6000

**RANGE**

DDC. NO. 103619

TITLE: SCHEM GE 60  
 DETAILS