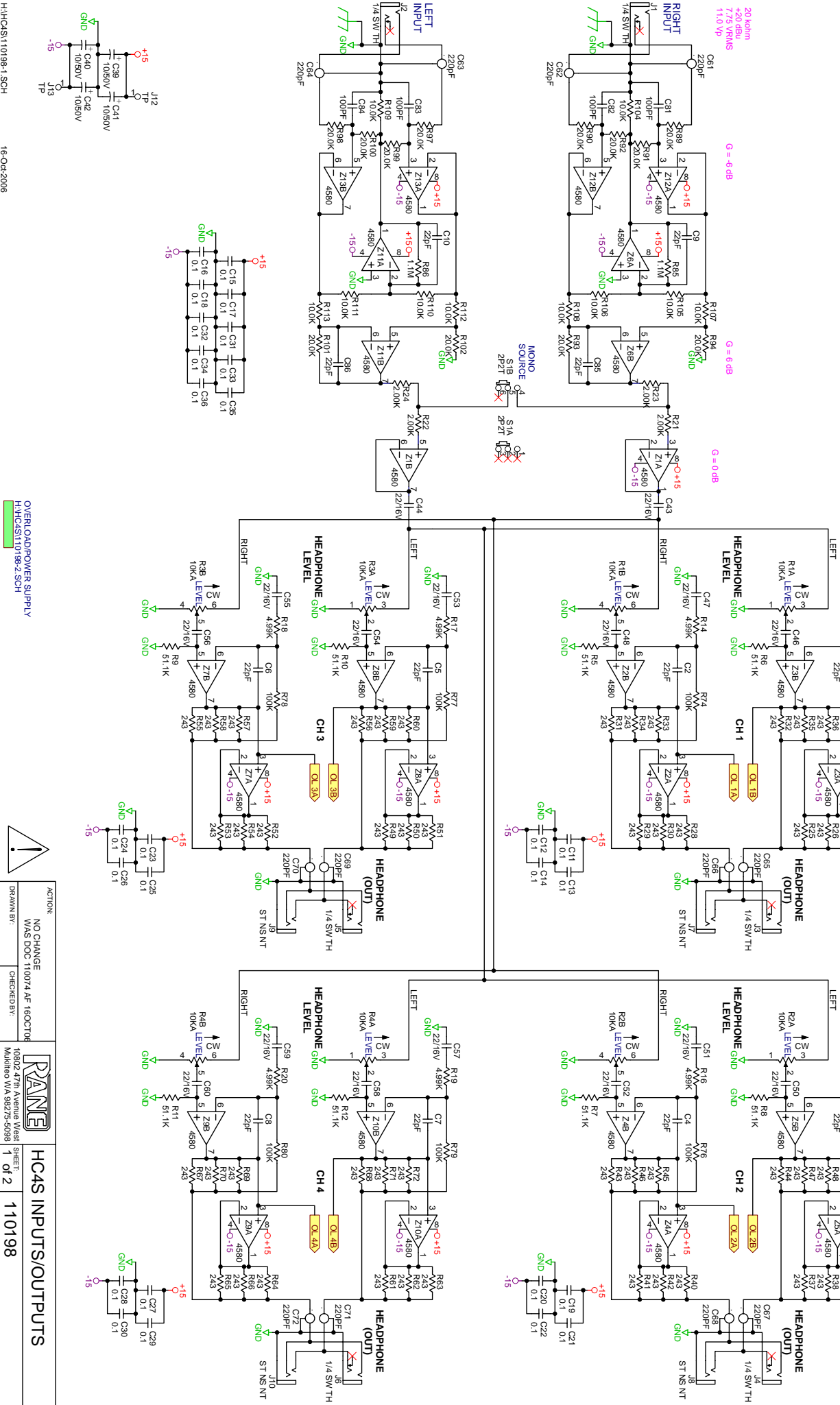


110199 FILM 1 OF 5 TOP SILKSCREEN HC4S

NOTES (UNLESS OTHERWISE SPECIFIED):

1. ALL SWITCHES SHOWN IN THEIR 'OUT' OR 'OFF' POSITION



H:\HC4S\110198-1.SCH

16-Oct-2006

OVERLOAD/POWER SUPPLY
H:\HC4S\110198-2.SCH



ACTION: NO CHANGE
WAS DOC 110074 AIF 16OCT06

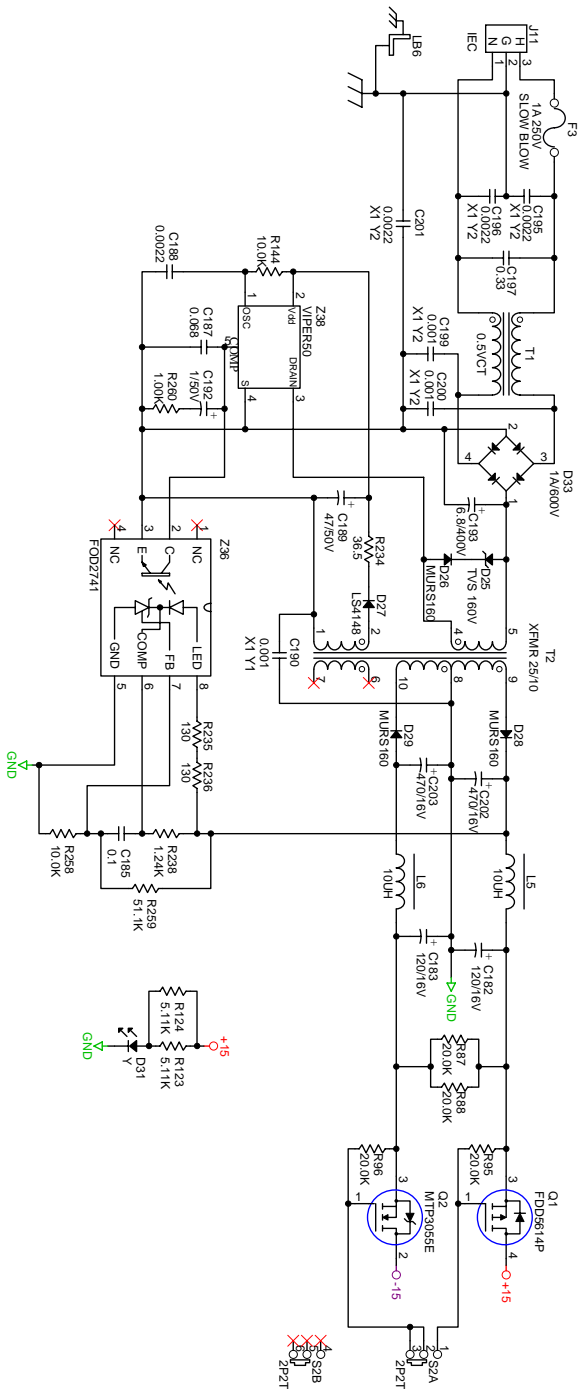
CHECKED BY: [Signature]

10802 47th Avenue West
Murrieta WA 92575-5098

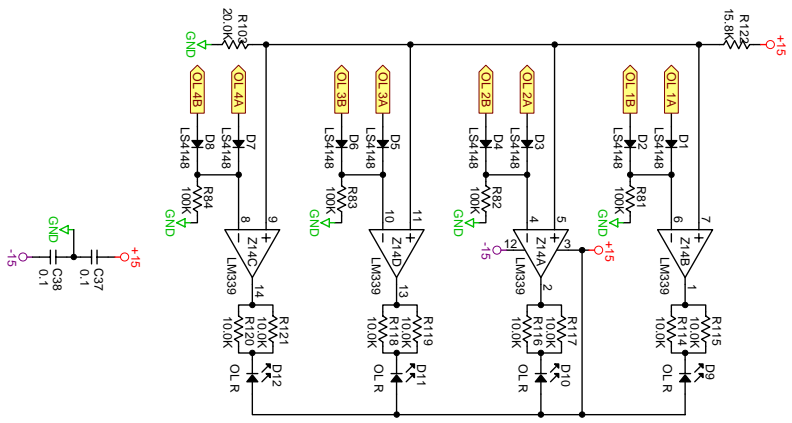
HC4S INPUTS/OUTPUTS
SHEET 1 OF 2
110198



POWER SUPPLY



OVERLOAD CIRCUIT



	ACTION:	MOD PWR SW PER MR		HC4S OL / PWR SUPPLY SHEET 2 OF 2
	DRAWN BY:	WAS DOC 110074 AF 18OCT06		
	CHECKED BY:			110198