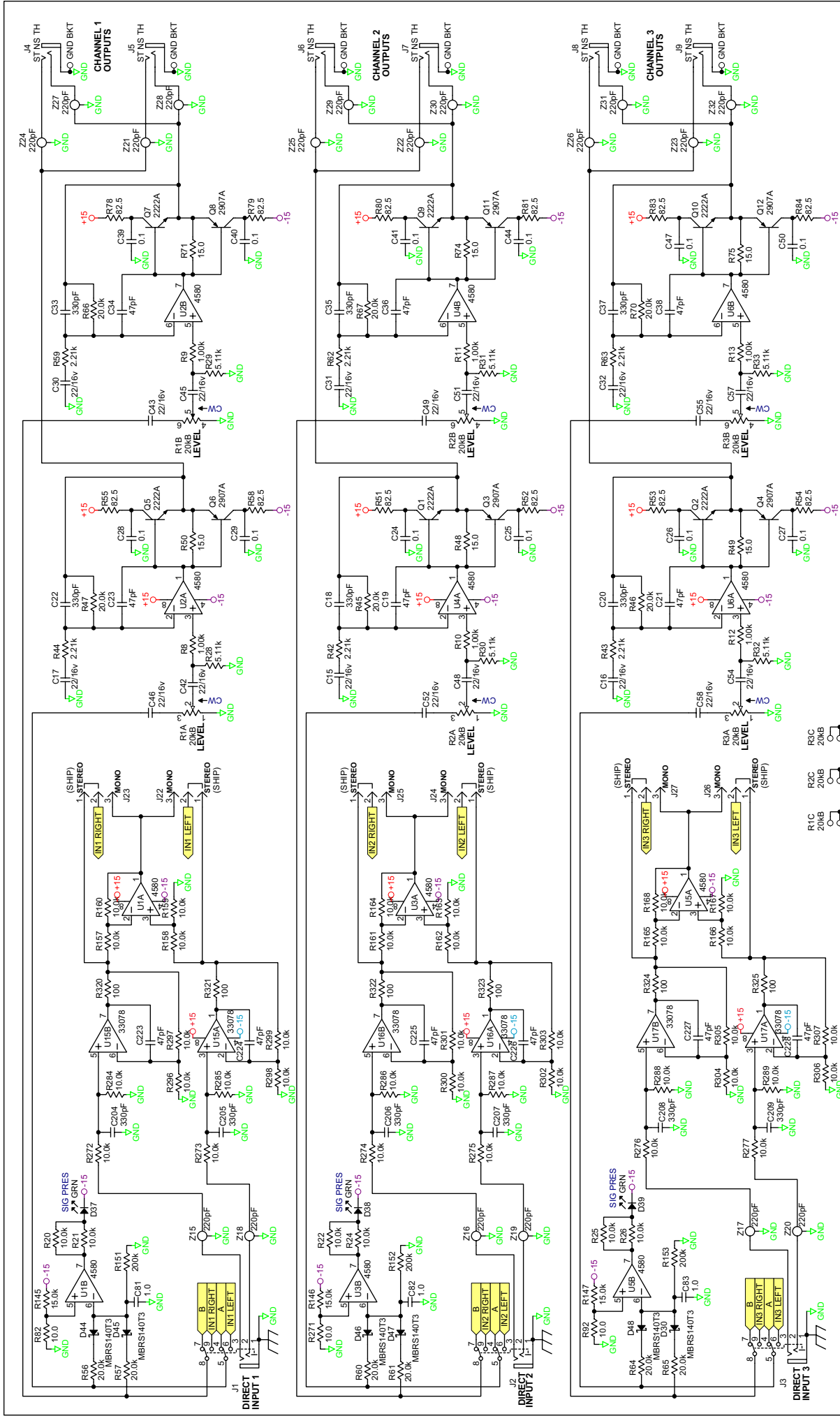
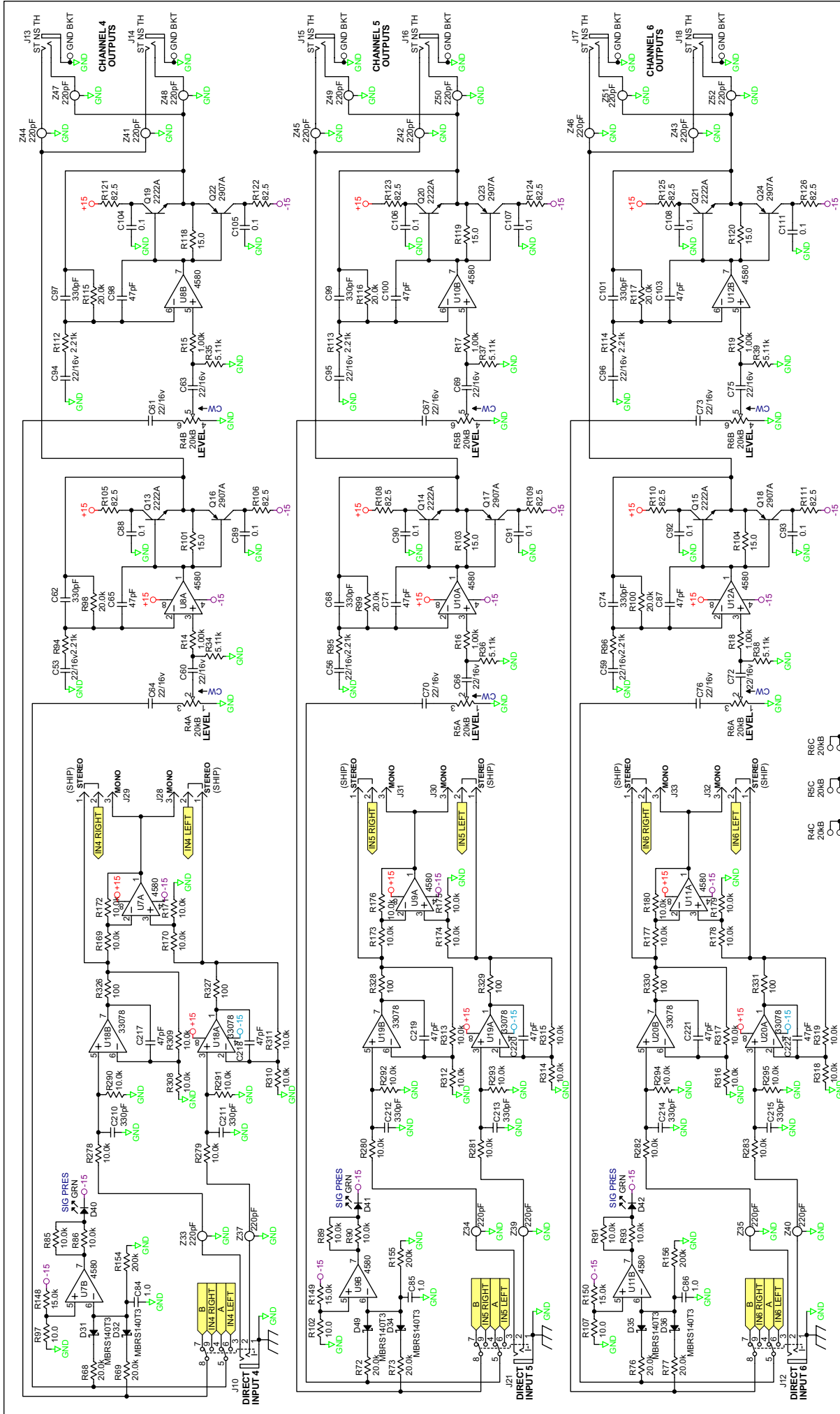


110305FILM 1 OF 5 TOP OVERLAY HC6S

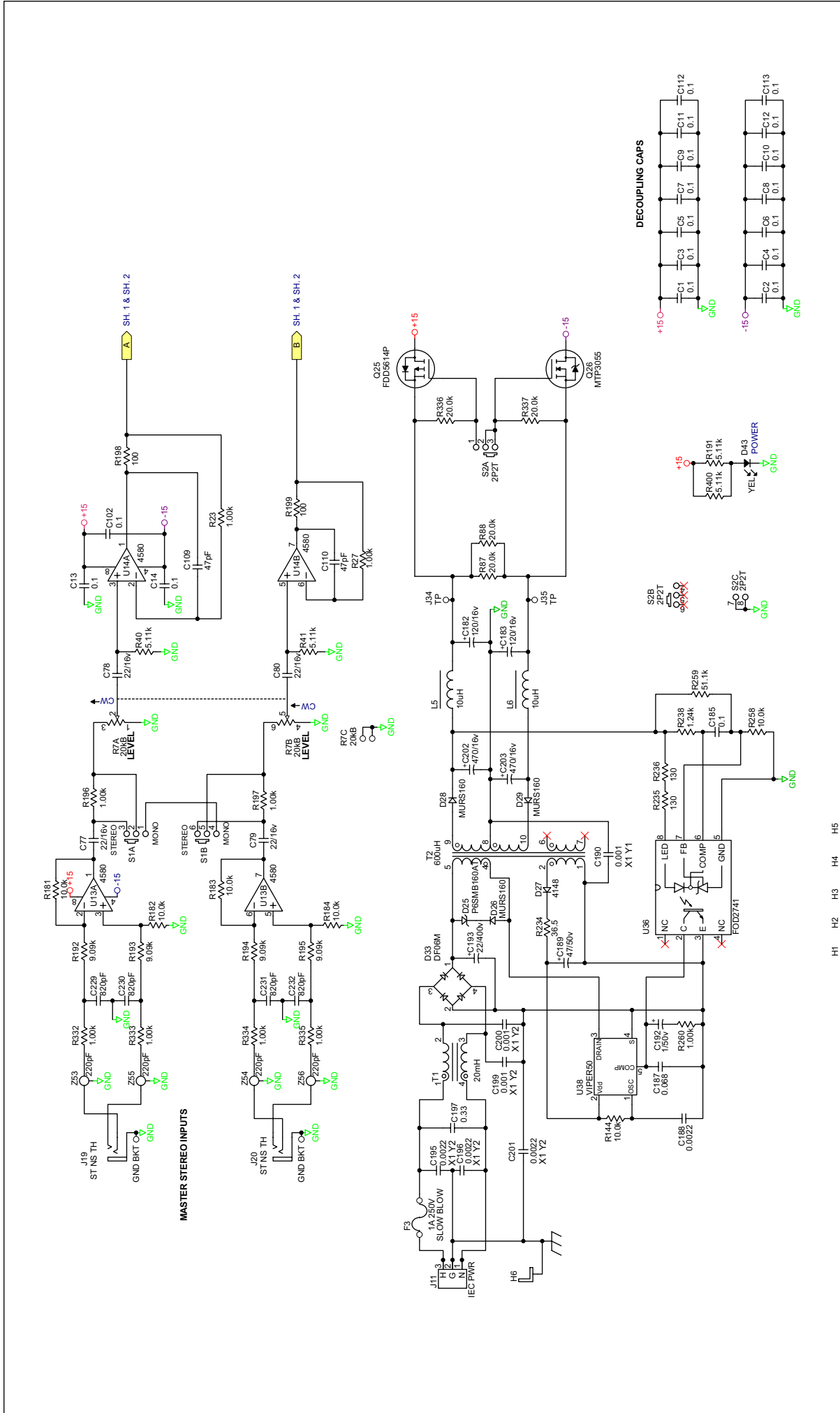




CH. 4-6 IN/OUT HC65

DRAWN BY: **MRR** CHECKED BY: **RJ** ACTION:

10802 47th Avenue West SHEET: **110038**
 Mukilteo WA 98275-5098 2 of 3



1/1/2007	C:\CAD Projects\HC6S110038-3.SCHDOC
DRAWN BY: MRR	CHECKED BY: RJ
10802 47th Avenue West Mukilteo WA 98275-5098	
MSTR STEREO IN/POWER HC6S	
110038	
SHEET: 3 of 3	

