





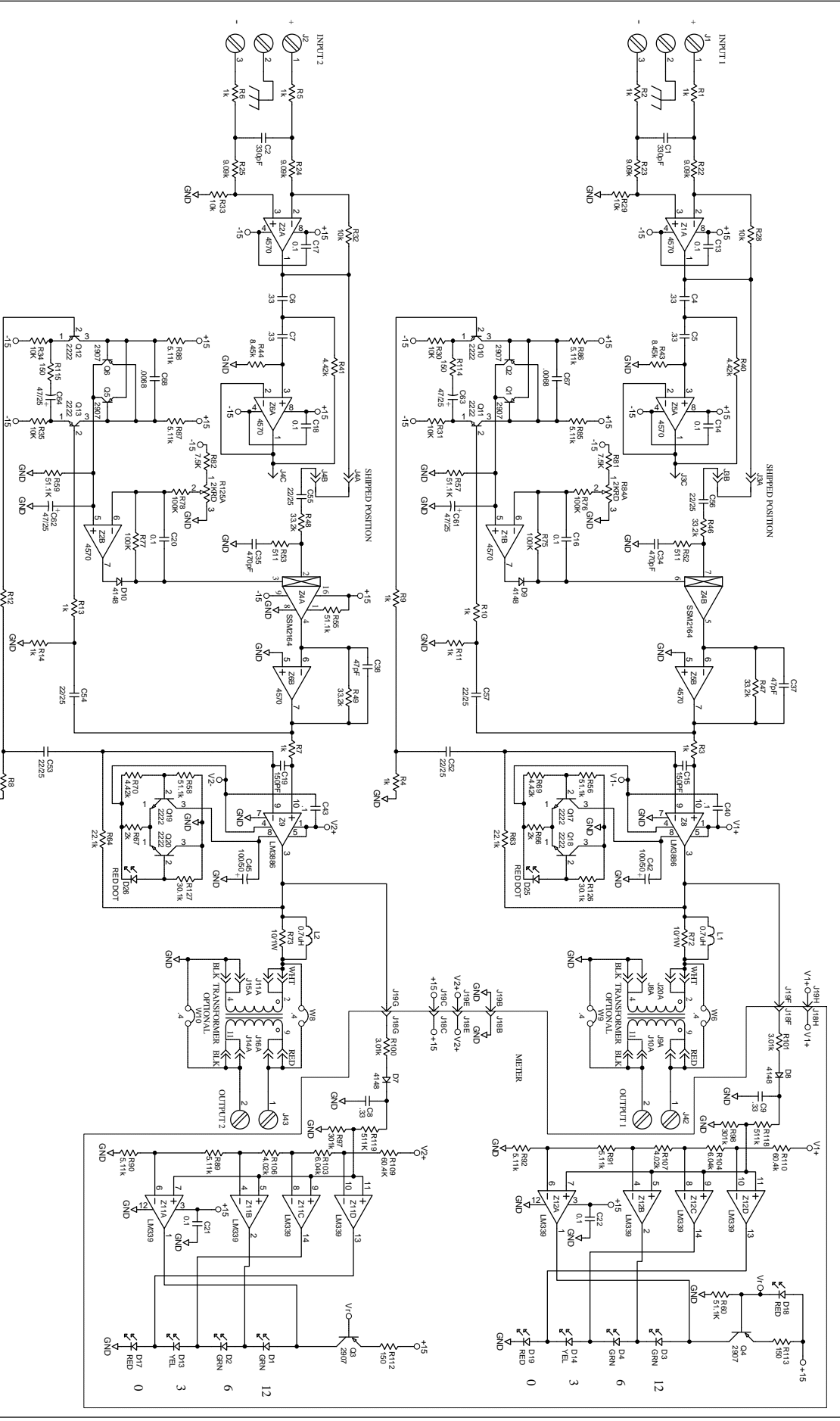
ACTION: CHANGE TO THIS SHEET.  
WAS 102427, FJ 220CT99

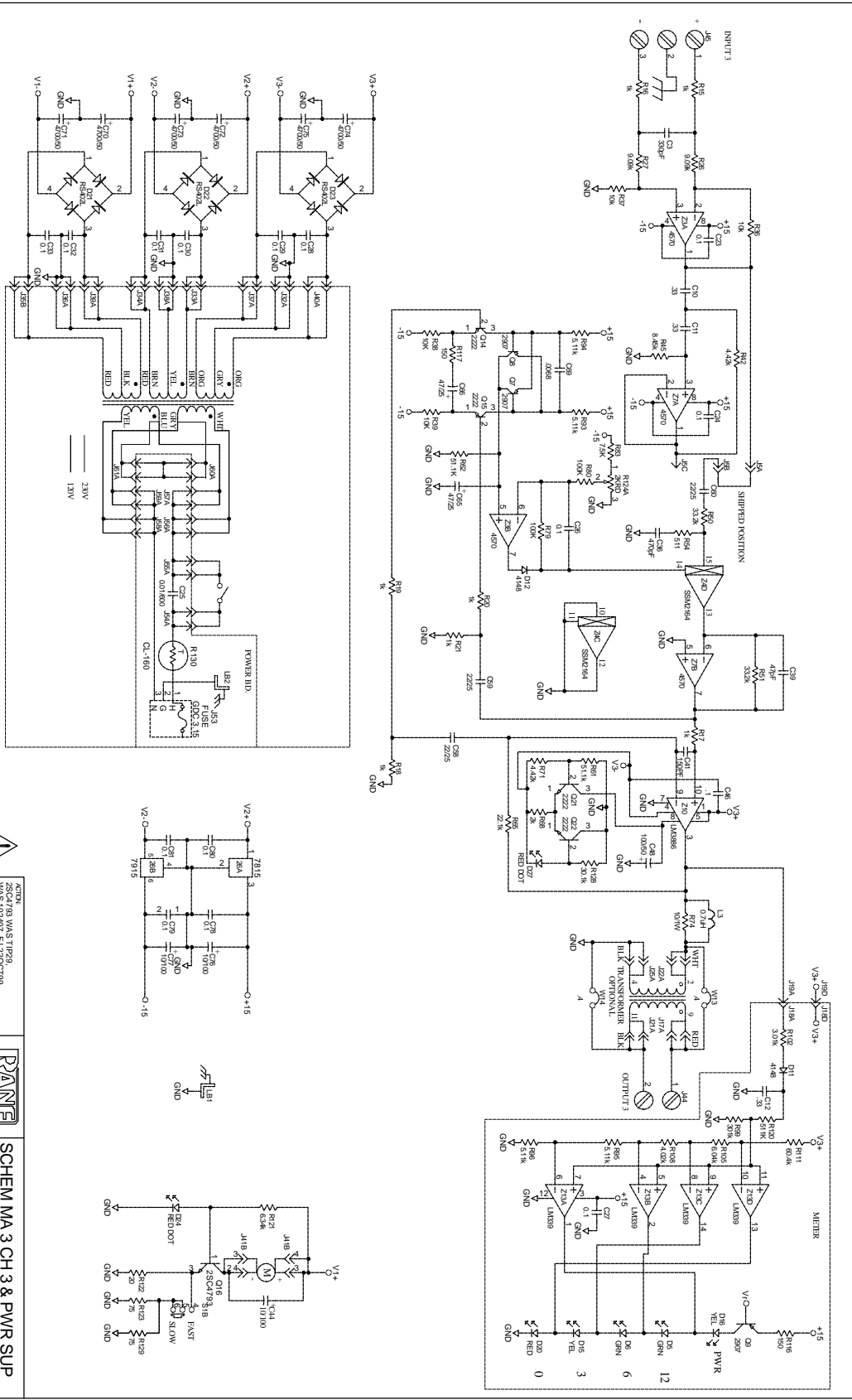


SCHEM MA 3 CH 1 & CH 2  
103551

DATE: 5-87  
DRAWN BY: RWJ  
CHECKED BY: RJ

103551-0000  
MURKIN WA 98275-5098





ACTION: 2SC4793 WAS T1P291  
 WAS 102407/ FJ Z2C0799  
 DRAWN BY: RWJ  
 CHECKED BY: RU



10802 47th Avenue West  
 Mukwonago, WI 53075-5891  
 SHEET: 2 of 2  
 SCHEM MA 3 CH 3 & PWR SUP  
 103551