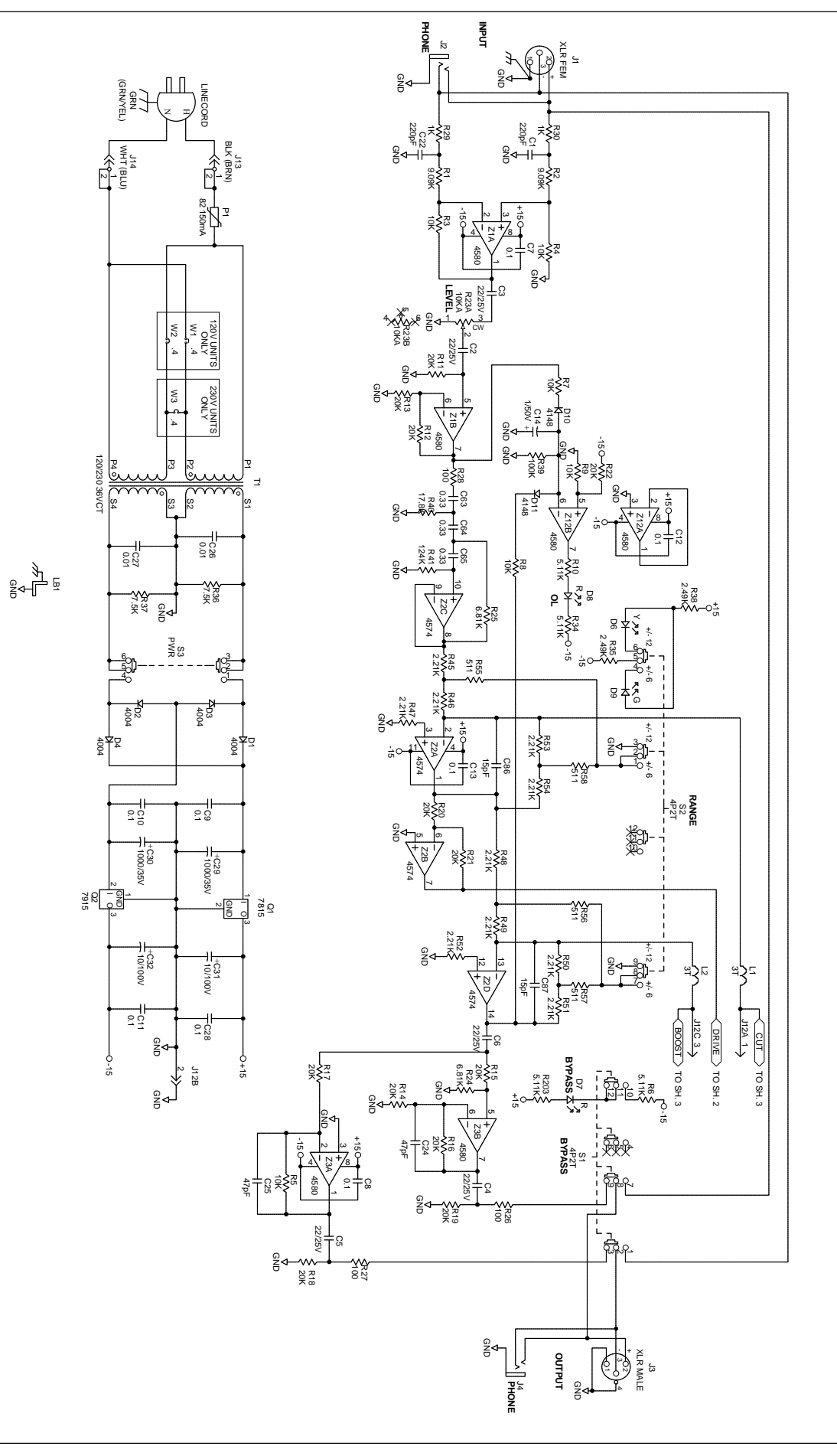
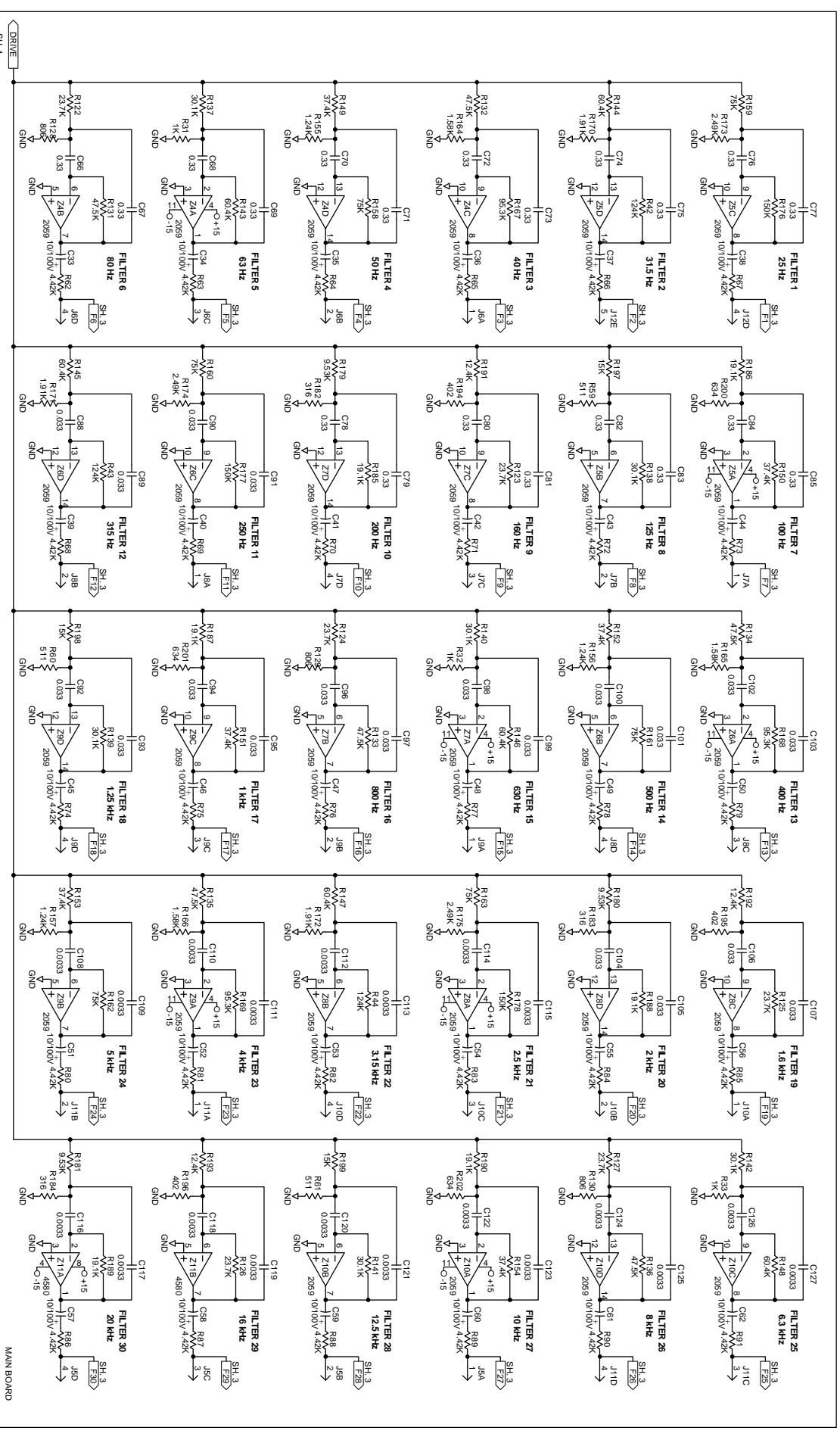


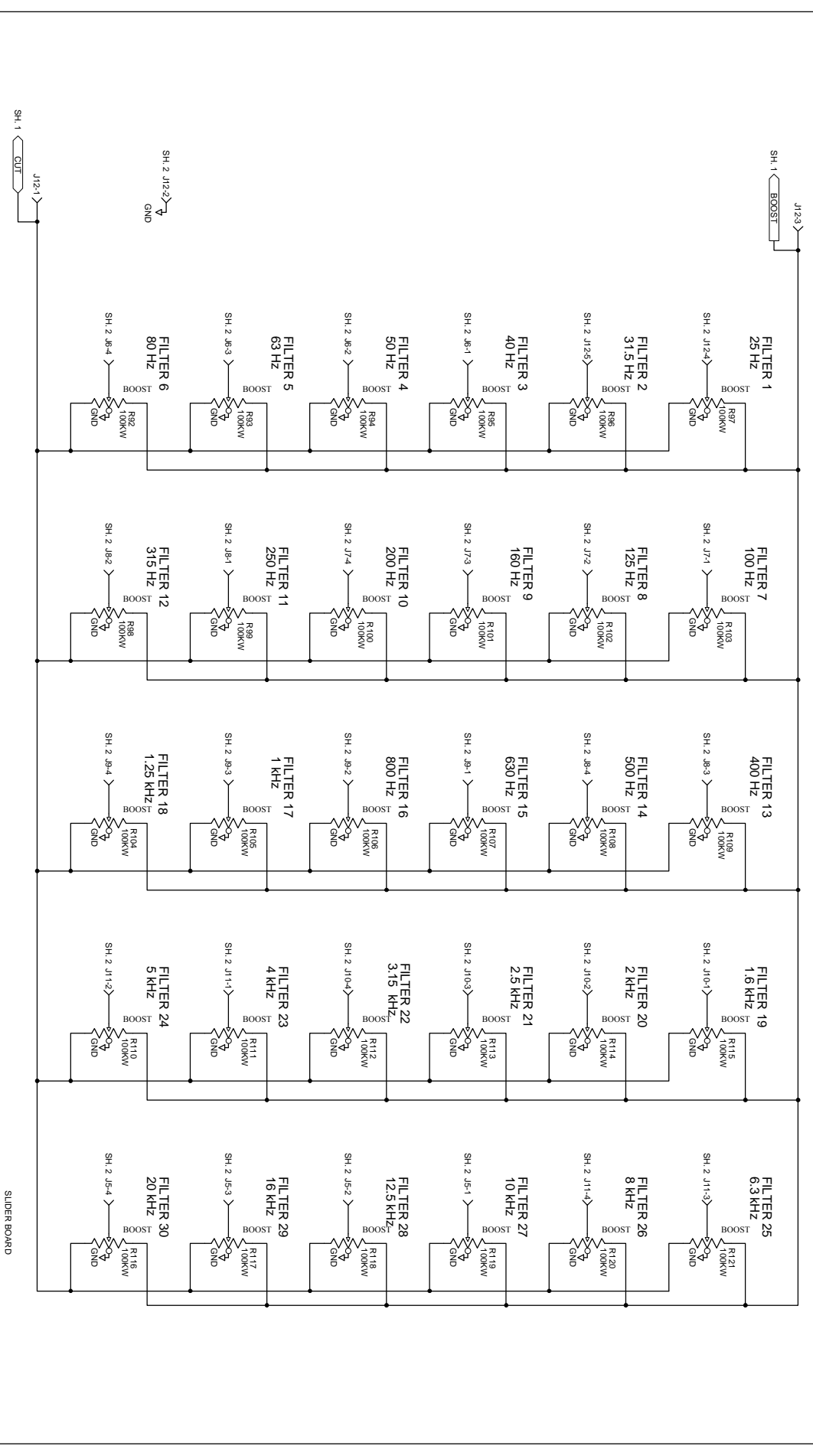
*ALL OTHER COMPONENTS ARE IDENTICAL.

120V UNITS	220V UNITS
M1	M3
M2	M28
M29	



FILTERS
 106254-2 SCH
 23 AUG 2002
 ACTION: IC 2929 W/S OPT-11
 DRAWN BY: NEW SCDF/7/3/SUN/98
 CHECKED BY:
 10802 47th Avenue West
 Mukilteo WA 98275-5088
 SHEET: 1 of 3
 INOUT ME30B
 106254





SH 1
CUT

J12-1

SH 2 J12-2

BOOST

SH 2 J12-3

BOOST

SH 2 J12-4

BOOST

SH 2 J12-5

BOOST

SH 2 J1-1

BOOST

SH 2 J1-2

BOOST

SH 2 J1-3

BOOST

SH 2 J1-4

BOOST

SH 2 J1-5

BOOST

SH 2 J1-6

BOOST

SH 2 J1-7

BOOST

SH 2 J1-8

BOOST

SH 2 J1-9

BOOST

SH 2 J1-10

BOOST

SH 2 J1-11

BOOST

SH 2 J1-12

BOOST

SH 2 J1-13

BOOST

SH 2 J1-14

BOOST

SH 2 J1-15

BOOST

SH 2 J1-16

BOOST

SH 2 J1-17

BOOST

SH 2 J1-18

BOOST

SH 2 J1-19

BOOST

SH 2 J1-20

BOOST

SH 2 J1-21

BOOST

SH 2 J1-22

BOOST

SH 2 J1-23

BOOST

SH 2 J1-24

BOOST

SH 2 J1-25

BOOST

SH 2 J1-26

BOOST

SH 2 J1-27

BOOST

SH 2 J1-28

BOOST

SH 2 J1-29

BOOST

SH 2 J1-30

BOOST

SH 2 J5-1

BOOST

SH 2 J5-2

BOOST

SH 2 J5-3

BOOST

SH 2 J5-4

BOOST

SH 2 J5-5

BOOST

SH 2 J5-6

BOOST

SH 2 J5-7

BOOST

SH 2 J5-8

BOOST

SH 2 J5-9

BOOST

SH 2 J5-10

BOOST

SH 2 J5-11

BOOST

SH 2 J5-12

BOOST

SH 2 J5-13

BOOST

SH 2 J5-14

BOOST

SH 2 J5-15

BOOST



ACTION	UPDATED PRODUCT	10802 47th Avenue West Mulliken WA 98275-0938
DRAWN BY	SKH	CHECKED BY
		FILTERS ME30B 3 of 3 106254

SLIDER BOARD