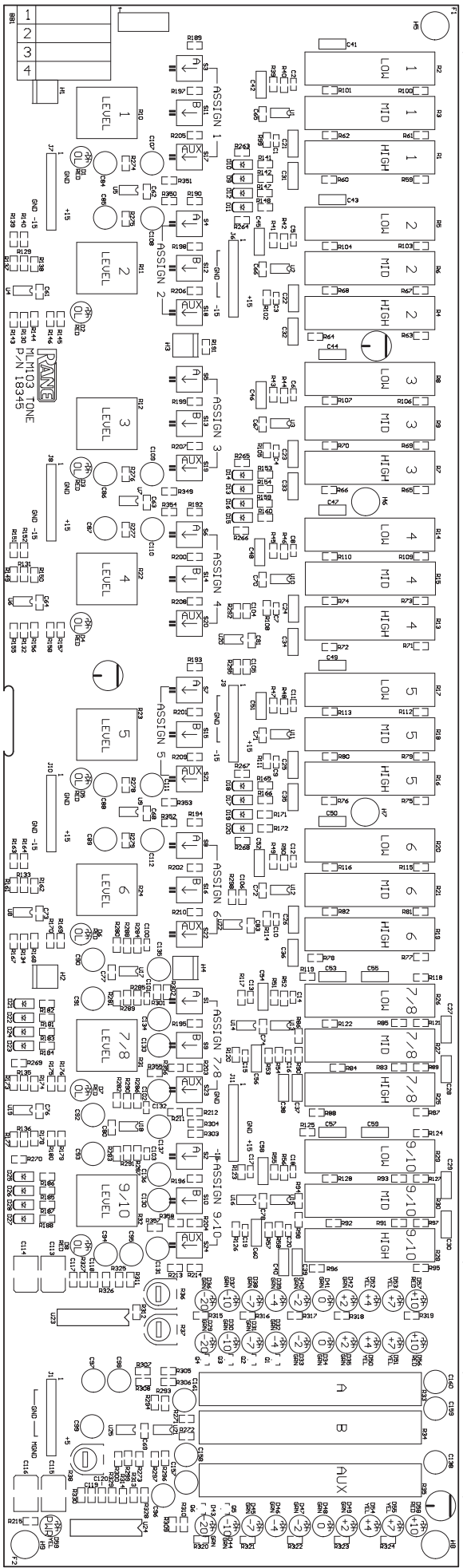
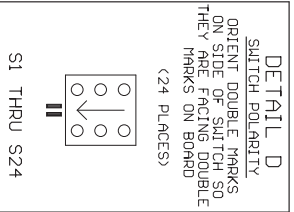
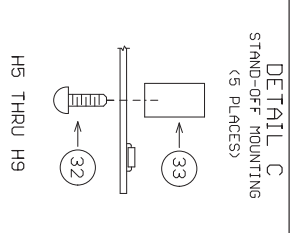
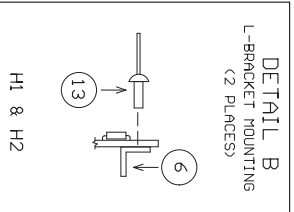
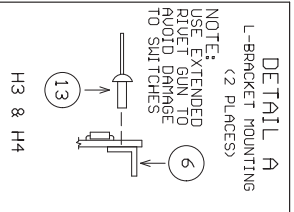


NOTES:
 TRIM LEADS LONGER THAN 0.15 LONG
 MASK LB6

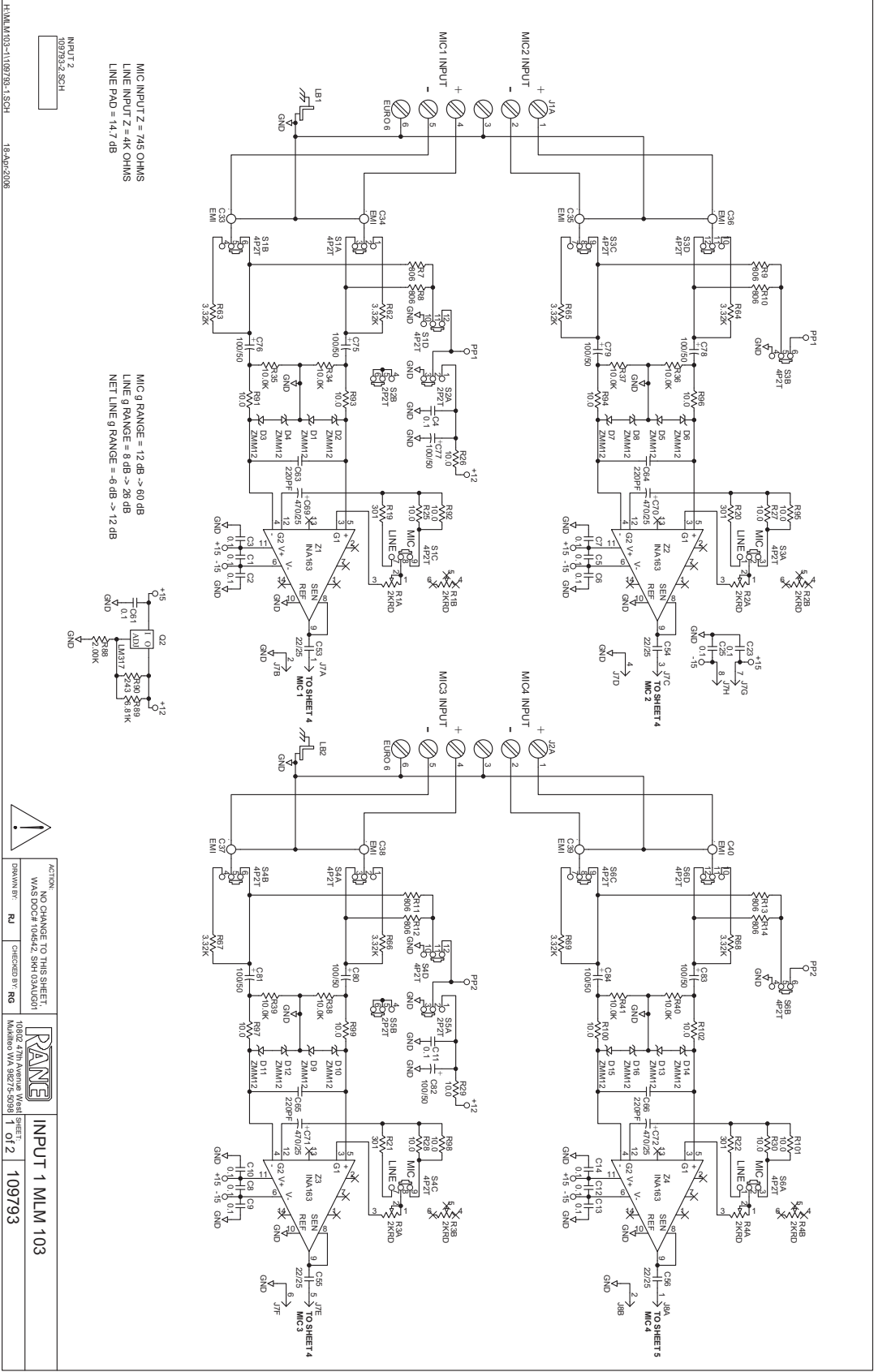




INPUTS

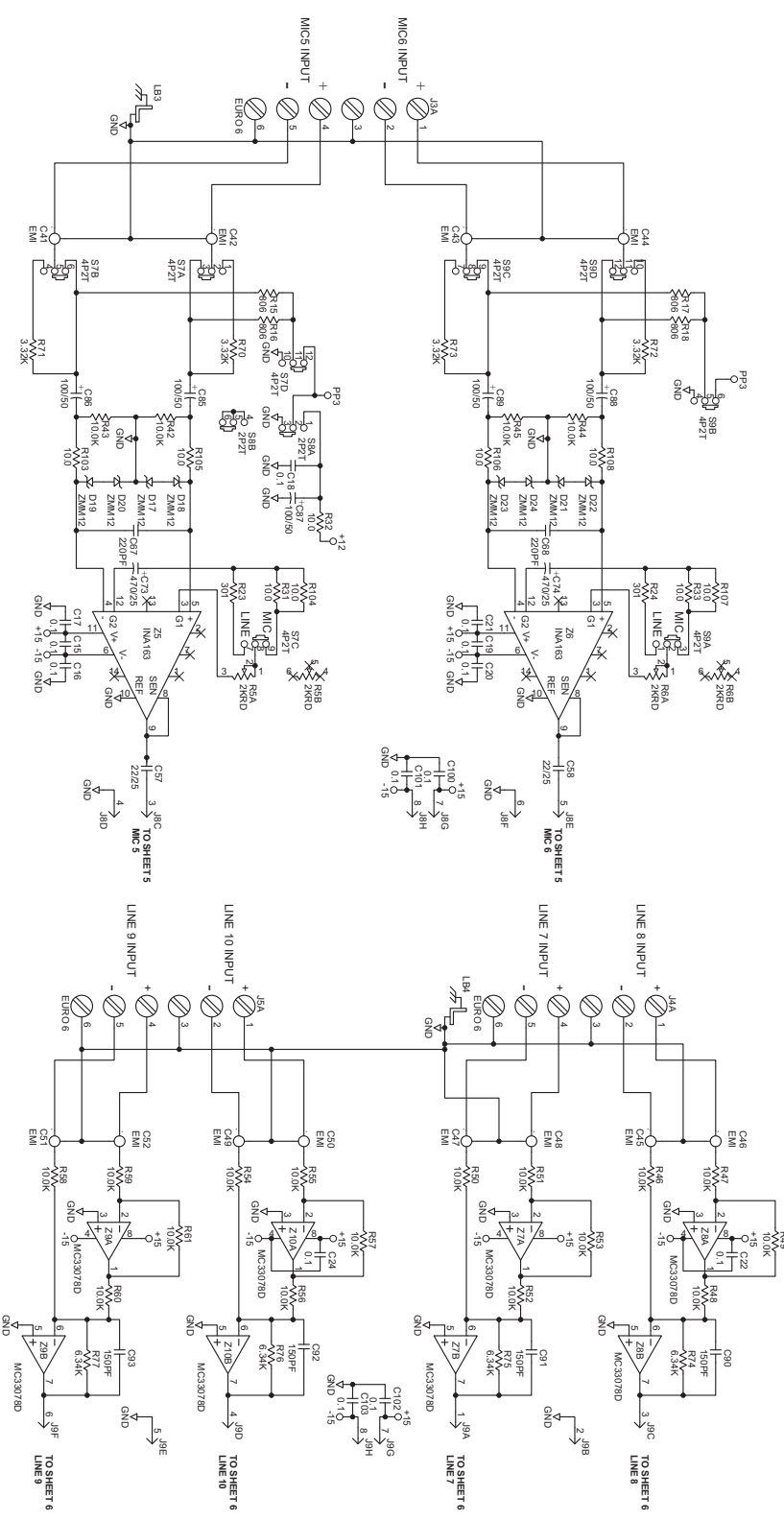
OUTPUTS

111964 FILM 1 OF 5 TOP SILKSCREEN MLM103

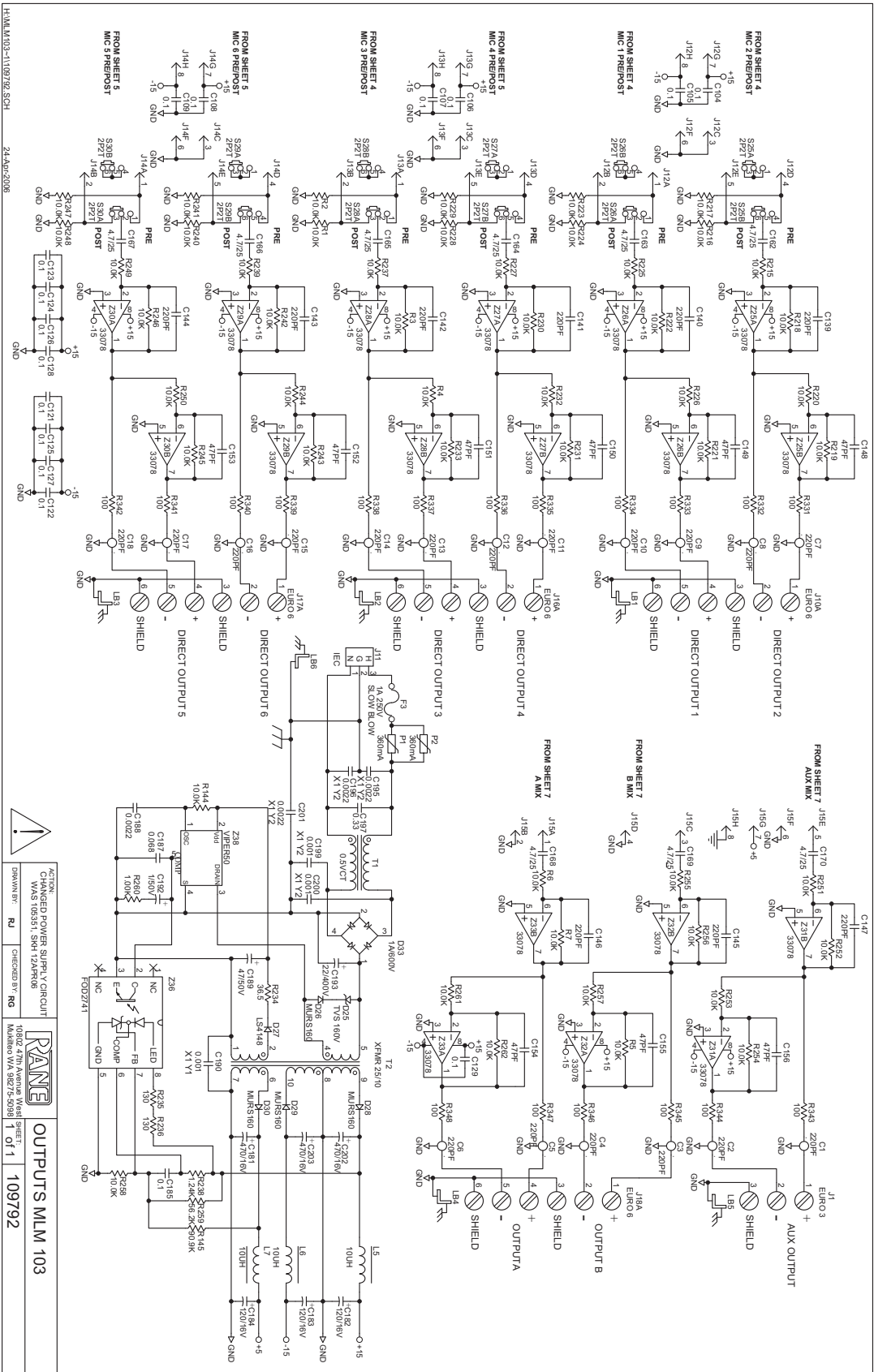


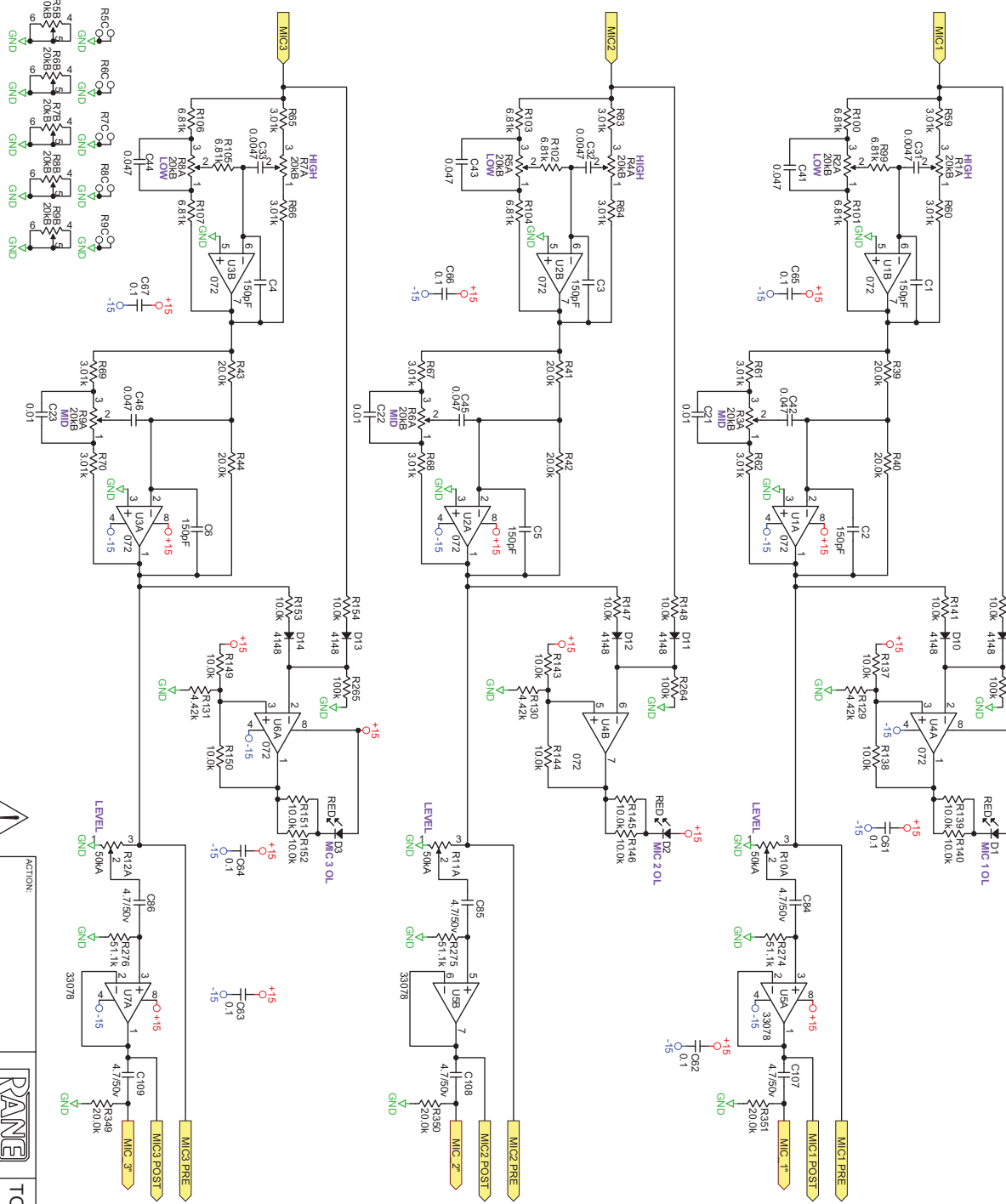
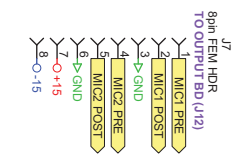
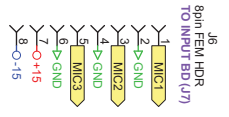
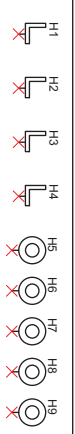
MIC INPUT Z = 745 OHMS
 LINE INPUT Z = 4K OHMS
 LINE PAD = 14.7 DB

MIC G RANGE = 15.5 DB > 60 DB
 LINE G RANGE = 14 DB > 26 DB
 NET LINE G RANGE = -.7 DB > 12 DB



	ACTION:	NO CHANGE TO THIS SHEET
	DRAWN BY:	RJ
	CHECKED BY:	RG
		ORDER FROM AVANCE: WASH SHEET
MANUFACTURED BY: S289 Z 012		109793
INPUT 2 MLM 103		

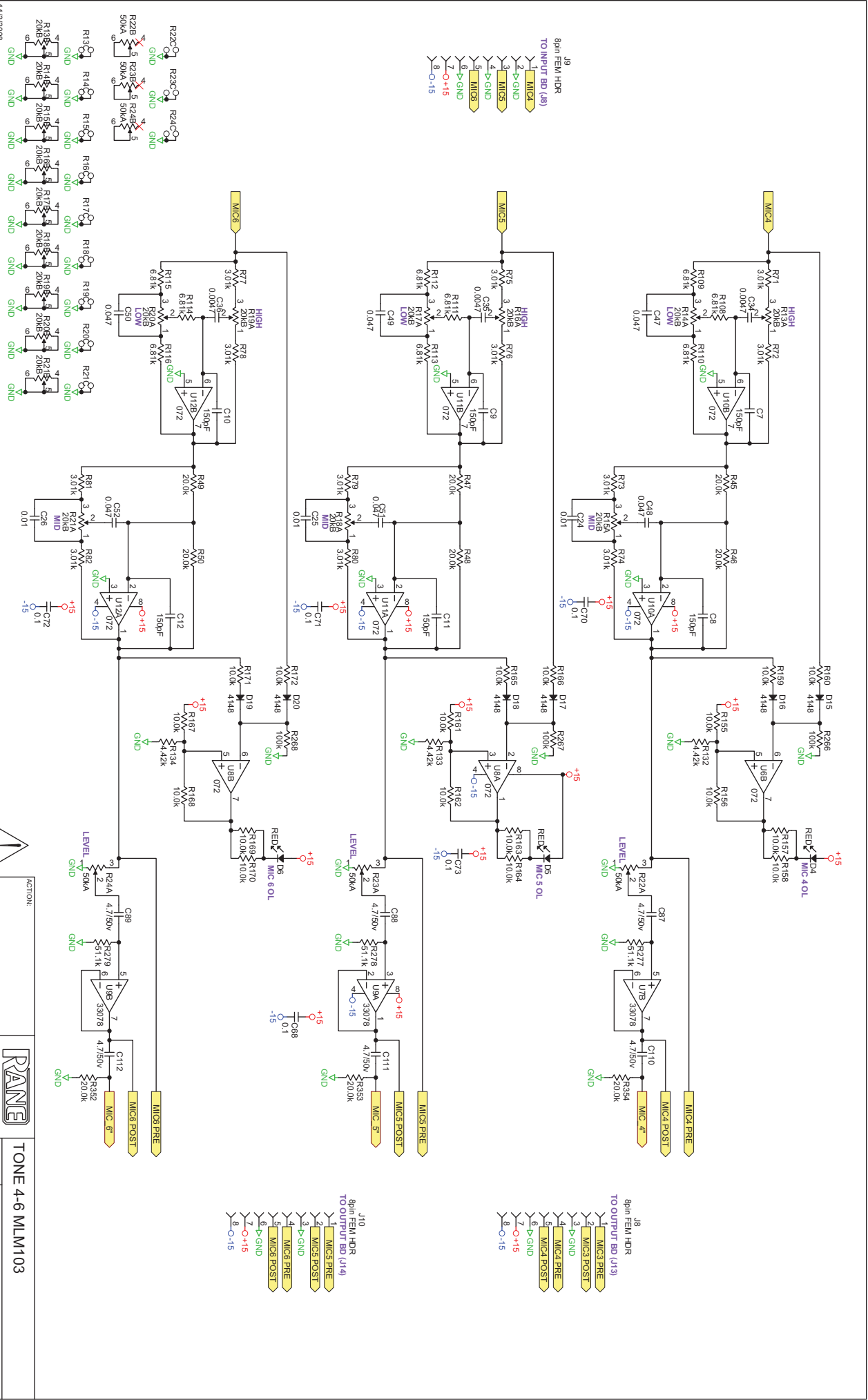




11/3/2008
C:\CAD\Projects\MLM103\TONE-1.SchDoc



ACTION:	DRAWN BY: RU	CHECKED BY:	RANE	TONE 1-3 MLM103
			10902 47th Avenue West Murkhibo WA 98275-5098	SHEET 1 of 4
				111591



11/3/2008
C:\CAD\Projects\MLM103\TONE-2-SchDoc



ACTION:	DRAWN BY: RU	CHECKED BY:
RANE		
10902 47th Avenue West Murkhibo WA 98275-5098		
SHEET	2	of 4

TONE 4-6 MLM103
111591

FROM SHEET 2
LINE 7
8pin FEMHDR
TOP INPUT BD (U)

J11
1. LINE 7
2. > GND
3. LINE 8
4. LINE 10
5. > GND
6. LINE 9
7. > GND
8. > -15

