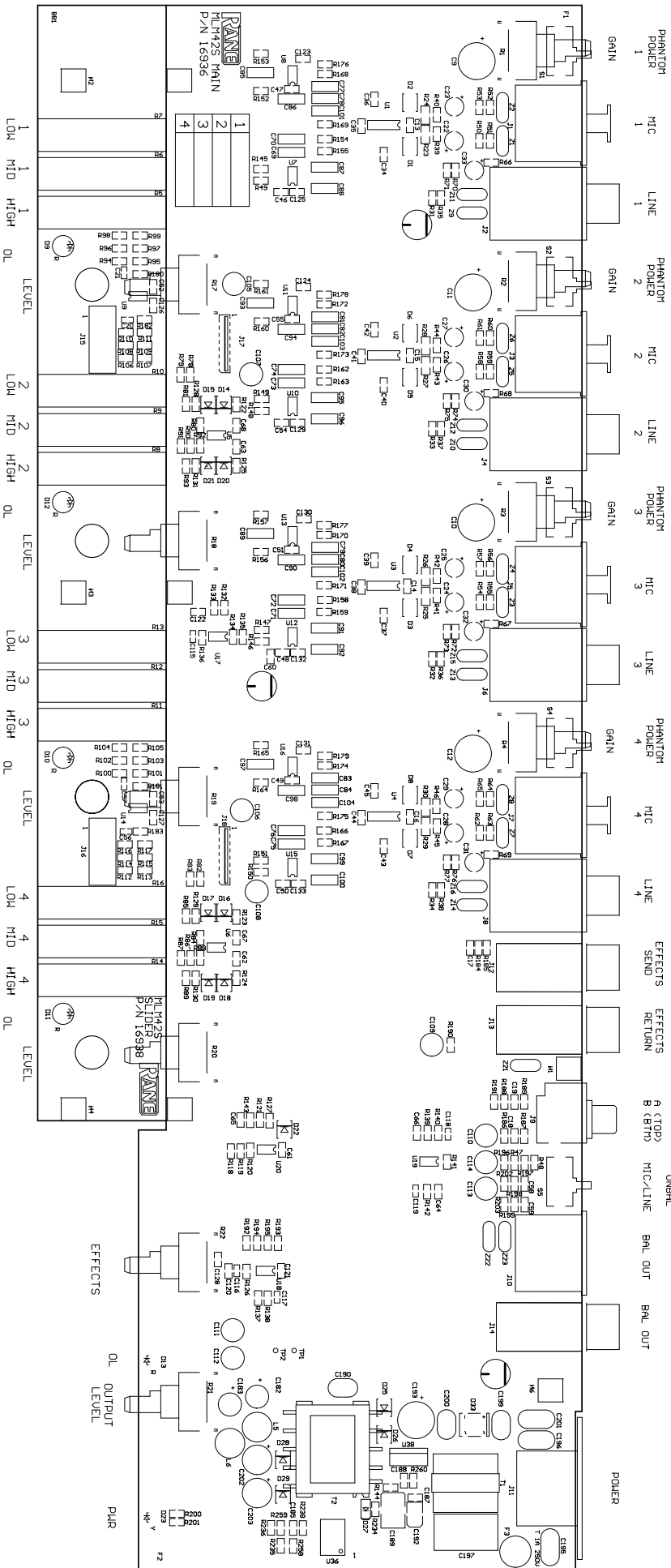
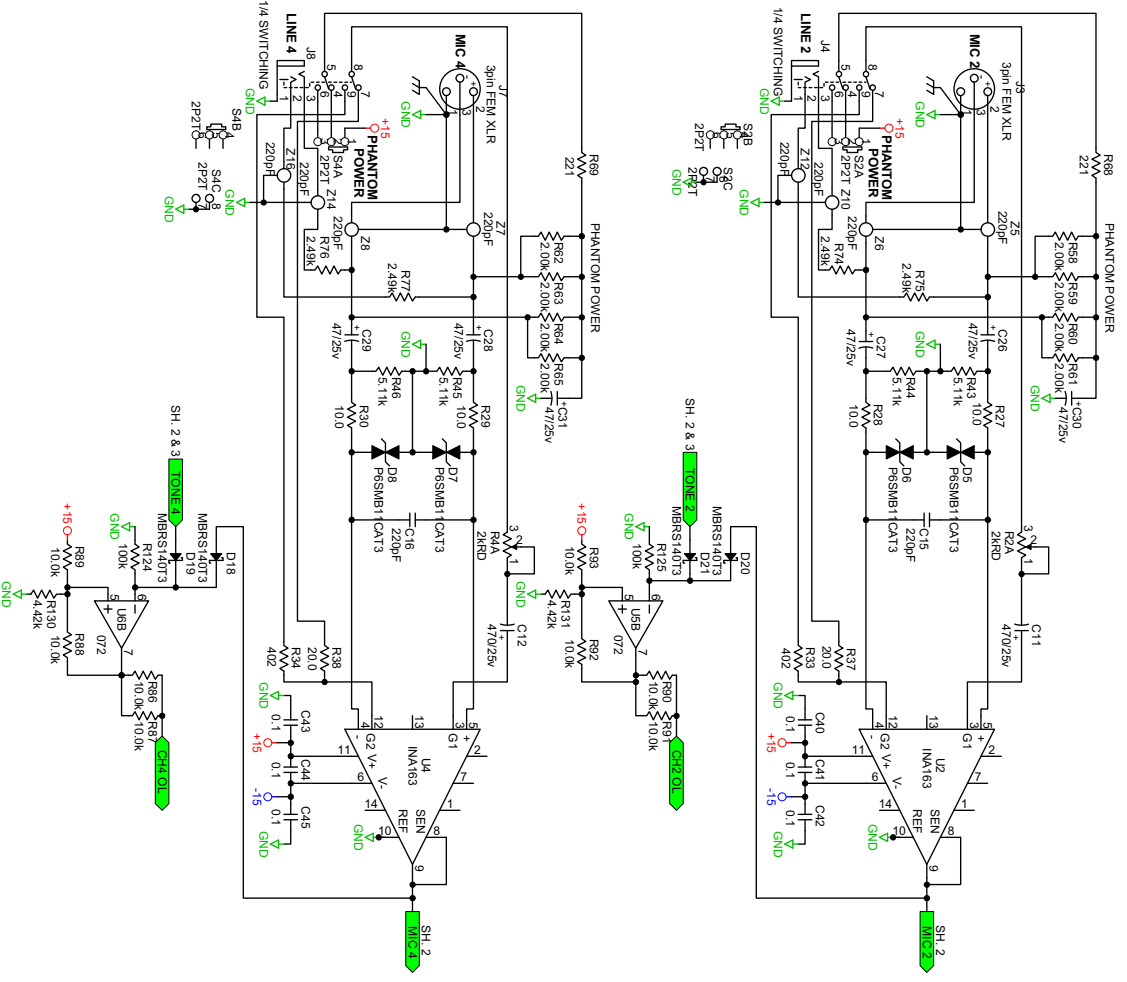
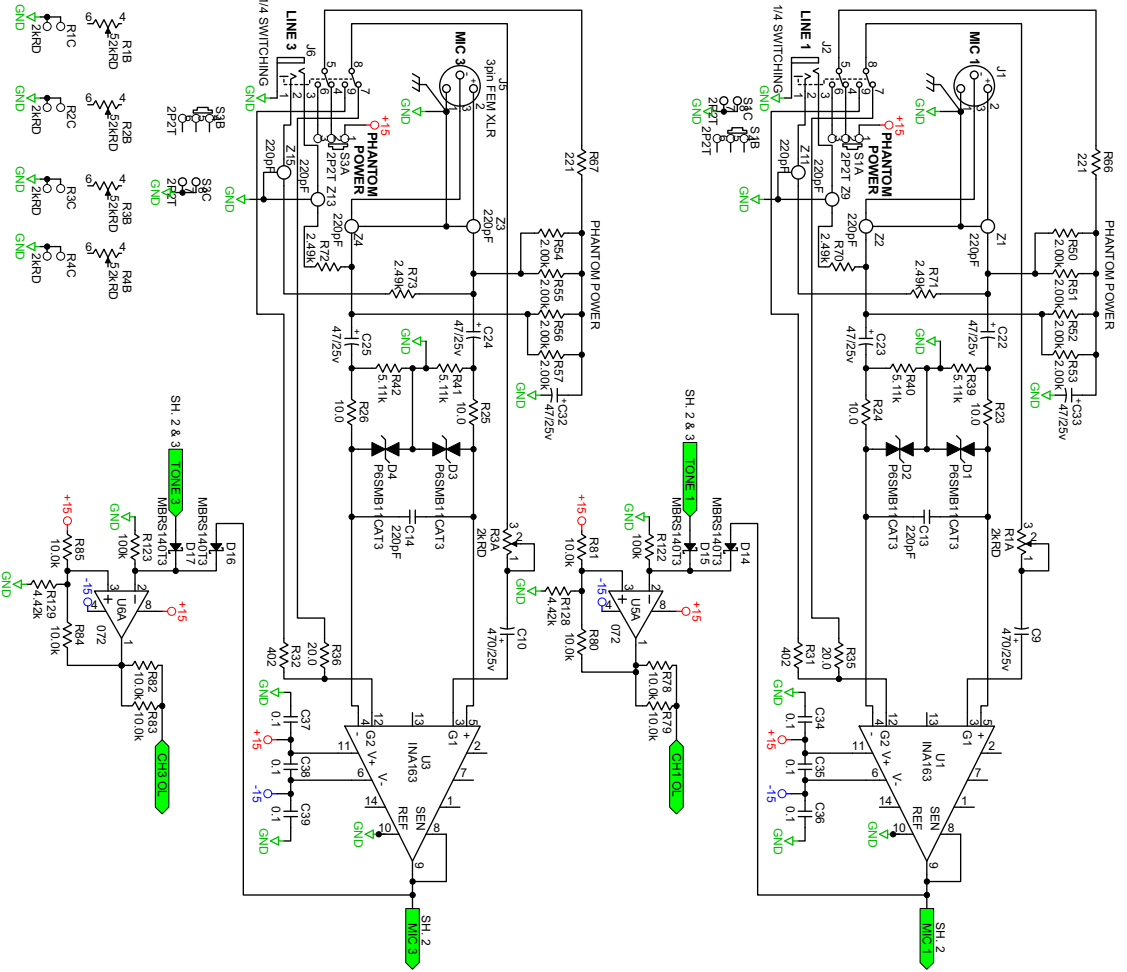


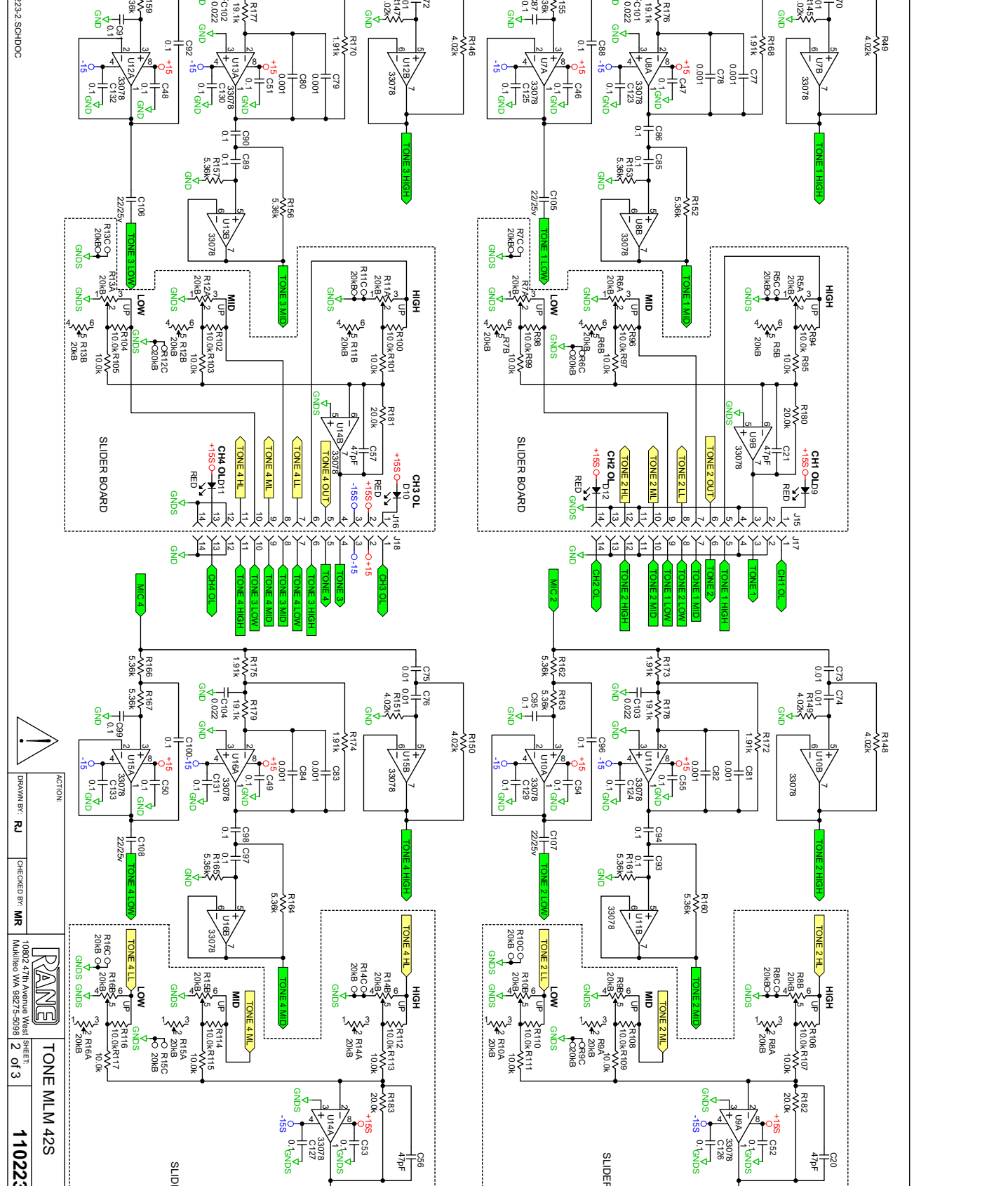
STUFF NOTES:
 MASK H4
 MASK D13 AND D23 (LEDS)
 MASK L-BRACKET PADS FOR MOUNTING
 SLIDER BO TO MAIN BO
 MASK H2, H3 & H4 ON SLIDER BO

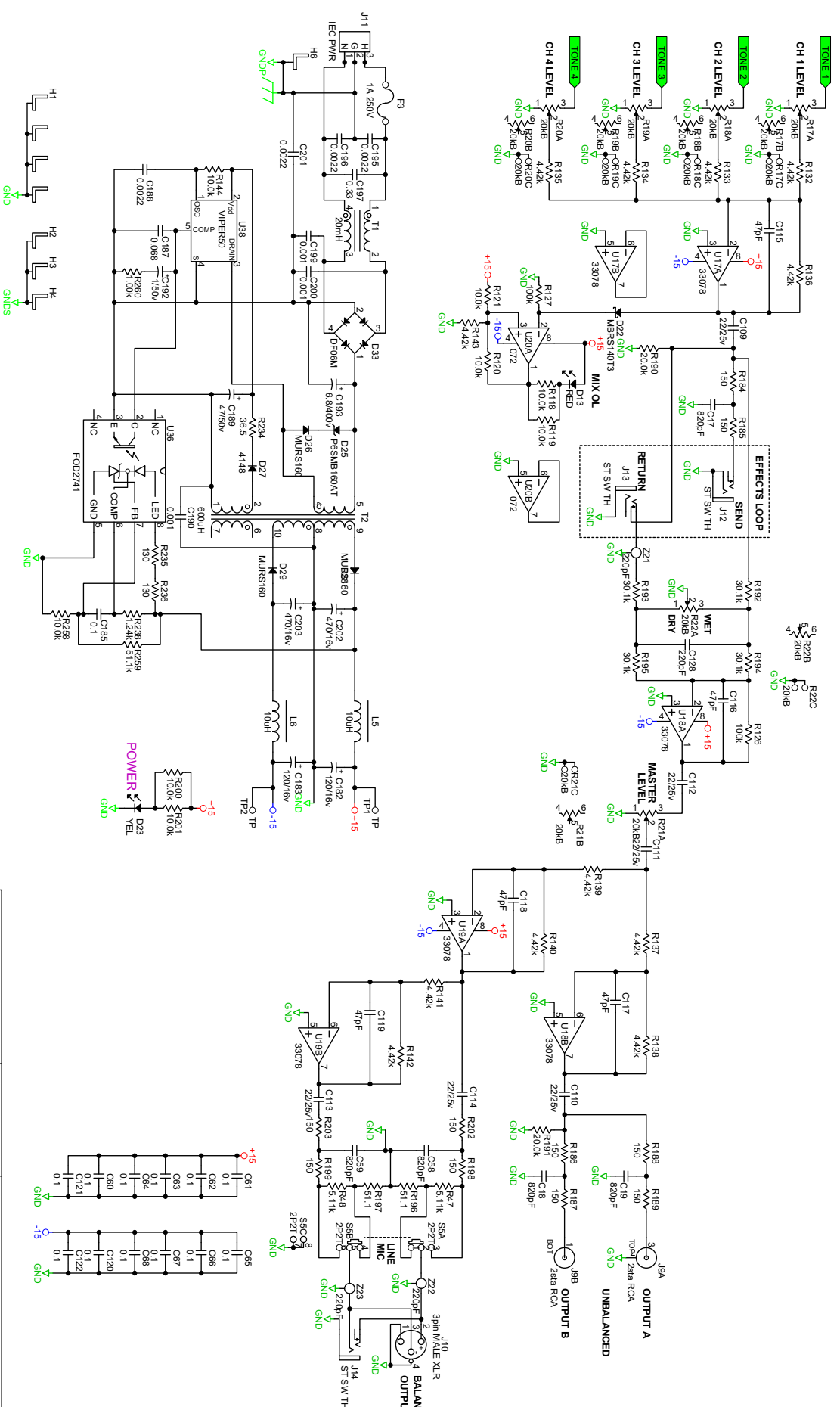
110503 FILM 1 OF 5 SILKSCREEN I.D. FOR MLM42S





ACTION:	
DRAWN BY:	RU
CHECKED BY:	MR
MIC MLM 42S	
10902 47th Avenue West Mukilteo WA 98275-5098	
SHEET	1 OF 3
110223	





ACTION:	DRAWN BY: RU	CHECKED BY: MR	10902 47th Avenue West Mukilteo WA 98275-5098
OUTPUT MLM 42S			SHEET 3 OF 3
110223			