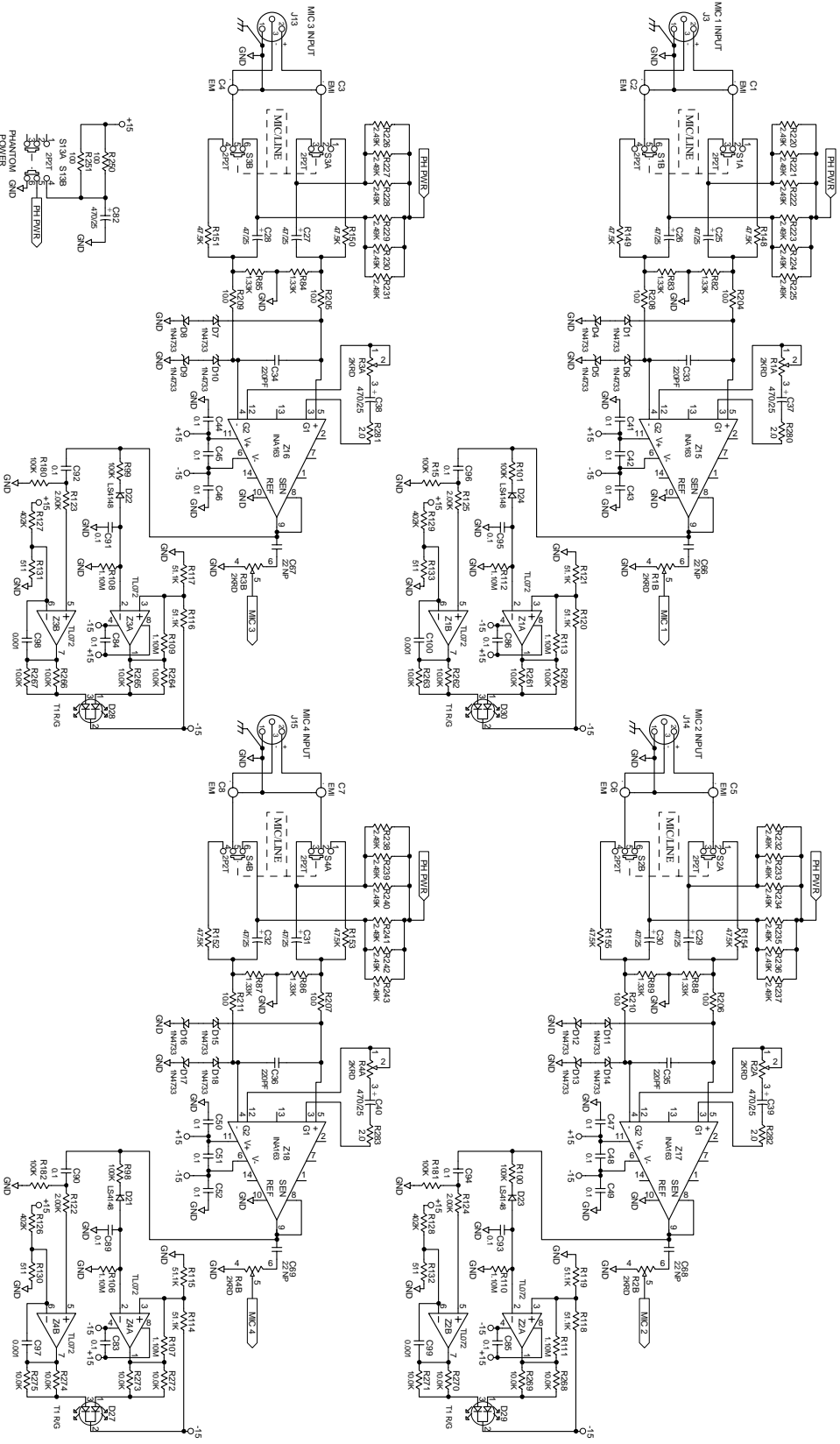
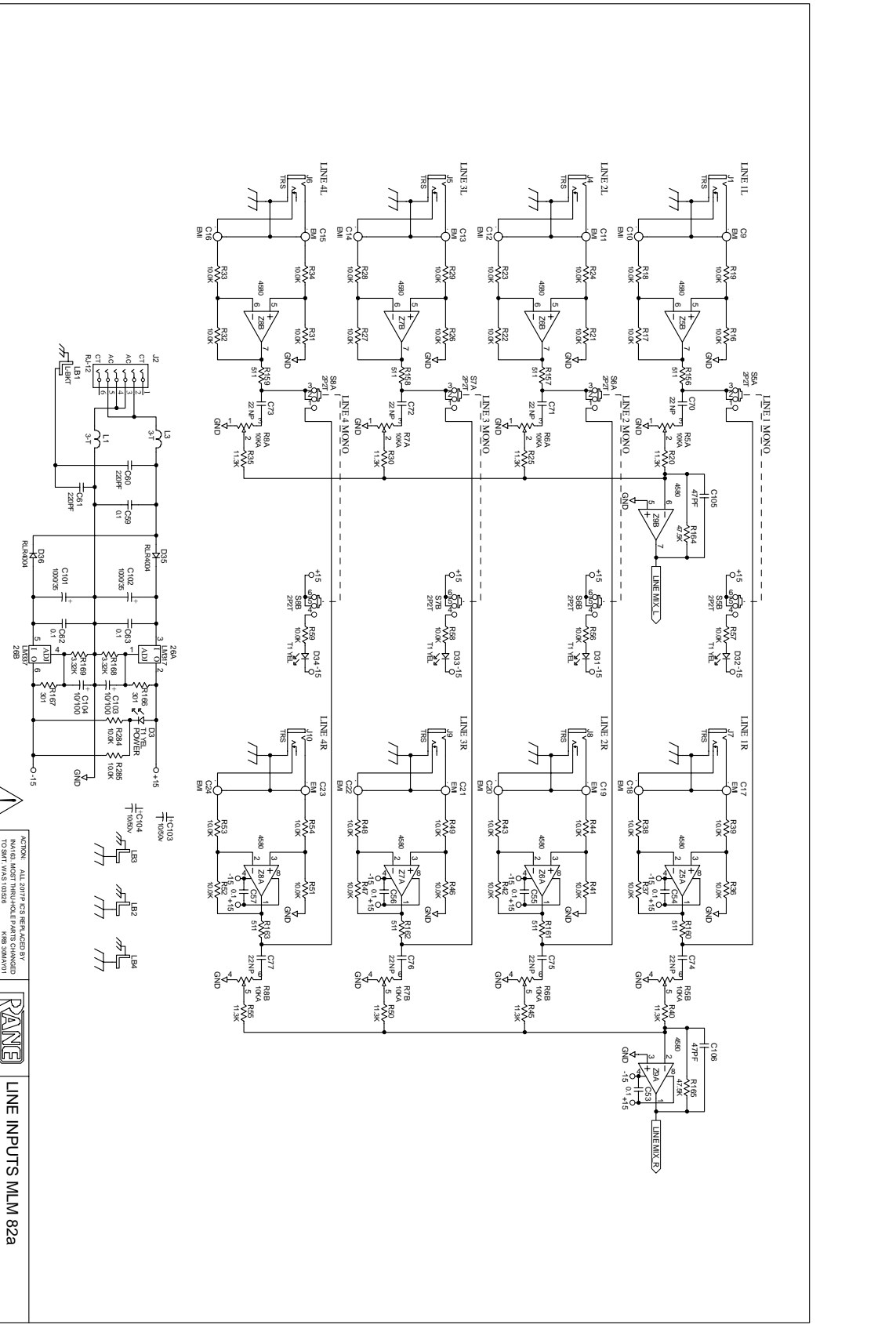


Rane Corp. (425)355-6000
 106100 DES MLM82A
 ACTION: NEW POTS, WAS DOC 105160 SKH 30MAY02



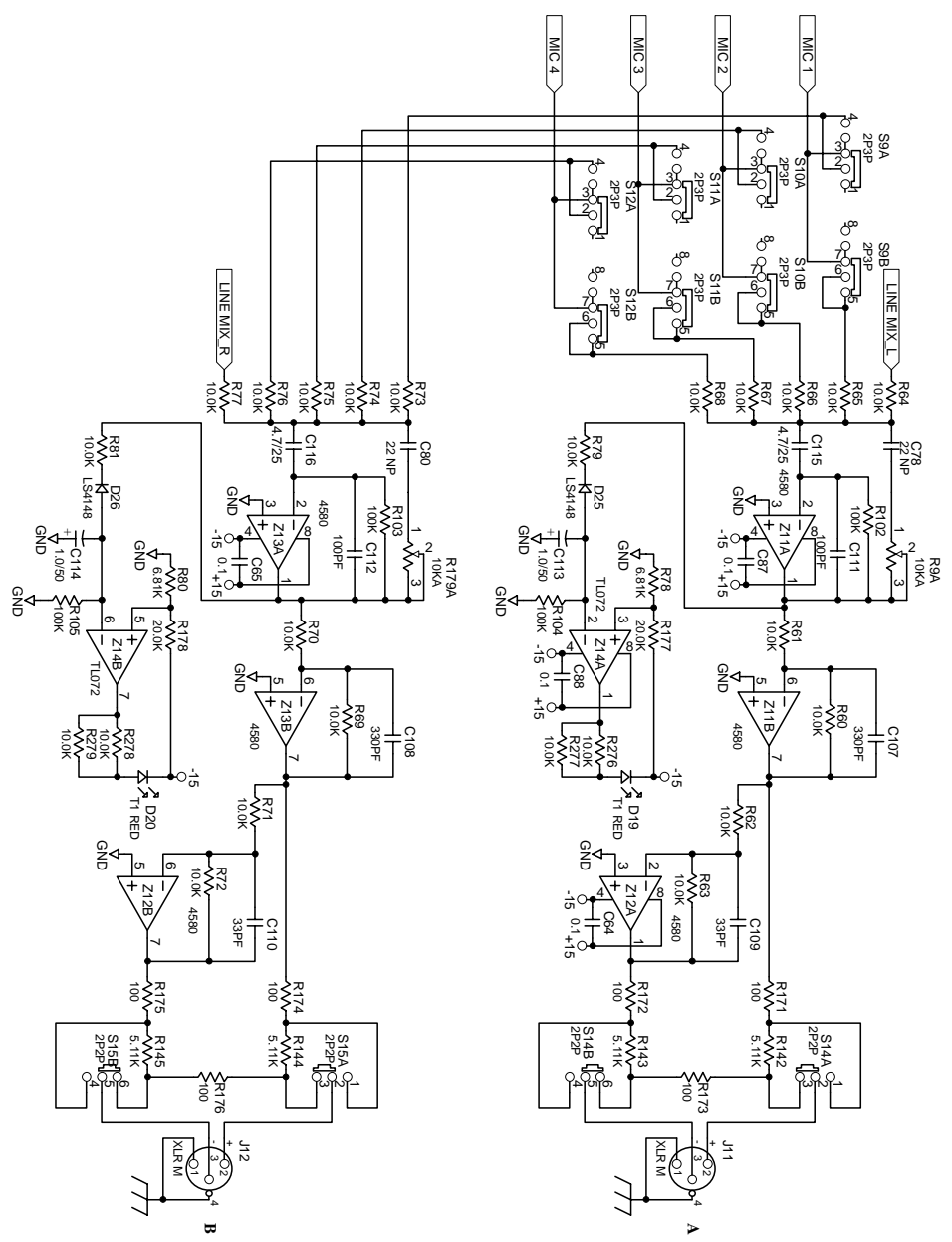


ACTIVE - ALL 2017S C2S REAR DECK BY
 NAME(S) MUST BE THROUGH FRAMES CHANGED
 TO SMT WAS 10/28/00
 DRAWN BY: RJ
 CHECKED BY: RJ
 MANUFACTURED BY: PANACEA

10082 27th Avenue West
 Tukwila WA 98148-3208

SHEET 2 OF 3
 104633

LINE INPUTS MLM 82A



ACTION: ALL 2077F IC'S REPLACED BY
M163 MOST THRU-HOLE PARTS CHANGED
TO SMT. WAS 103528
DRAWN BY: **RJ** CHECKED BY: **RJ**
MUMIAYU

RANER
10802 47th Avenue West
Mukilteo WA 98275-5098

MIX/OUTPUT MLM 82a
SHEET: 3 of 3
104633