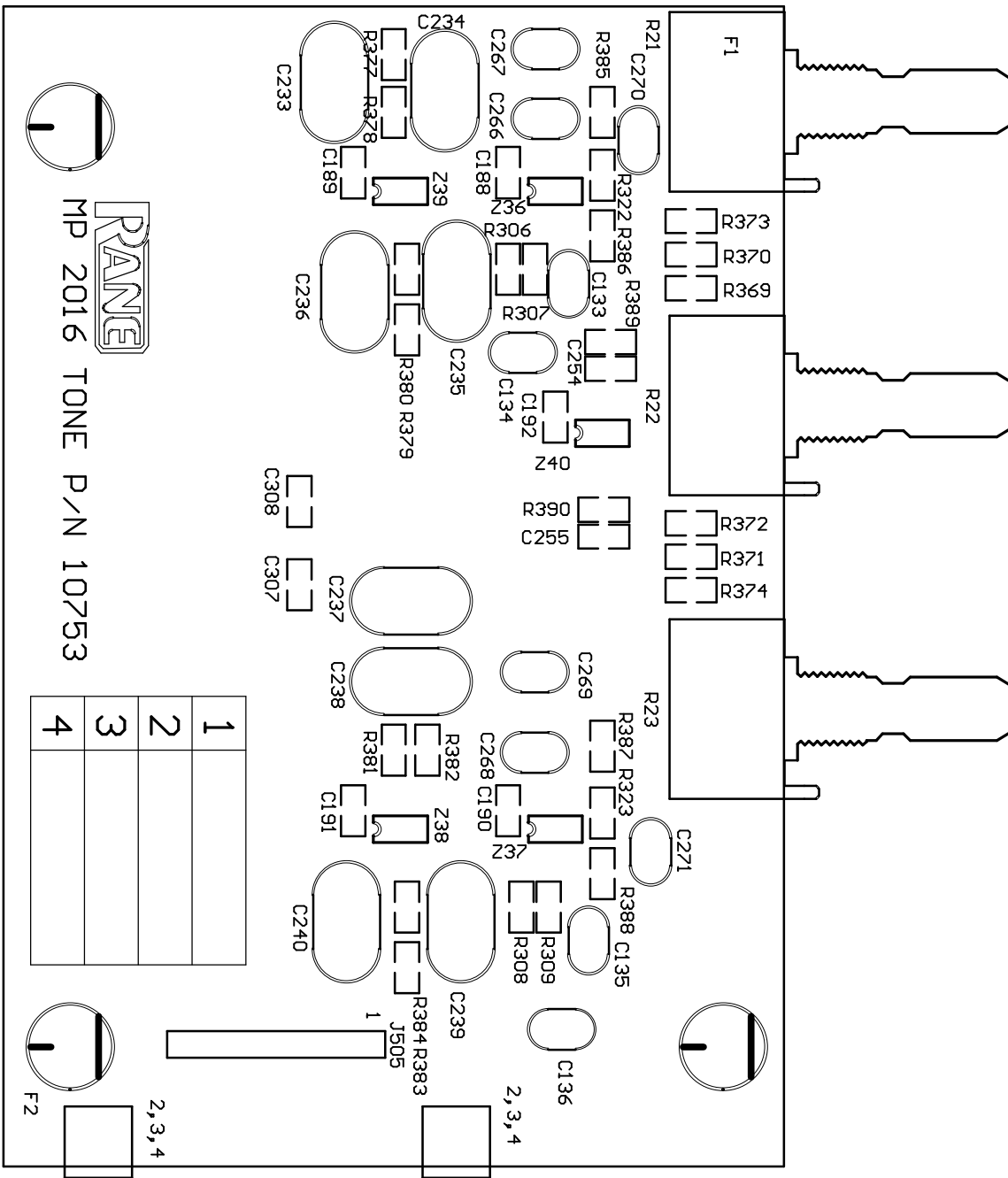
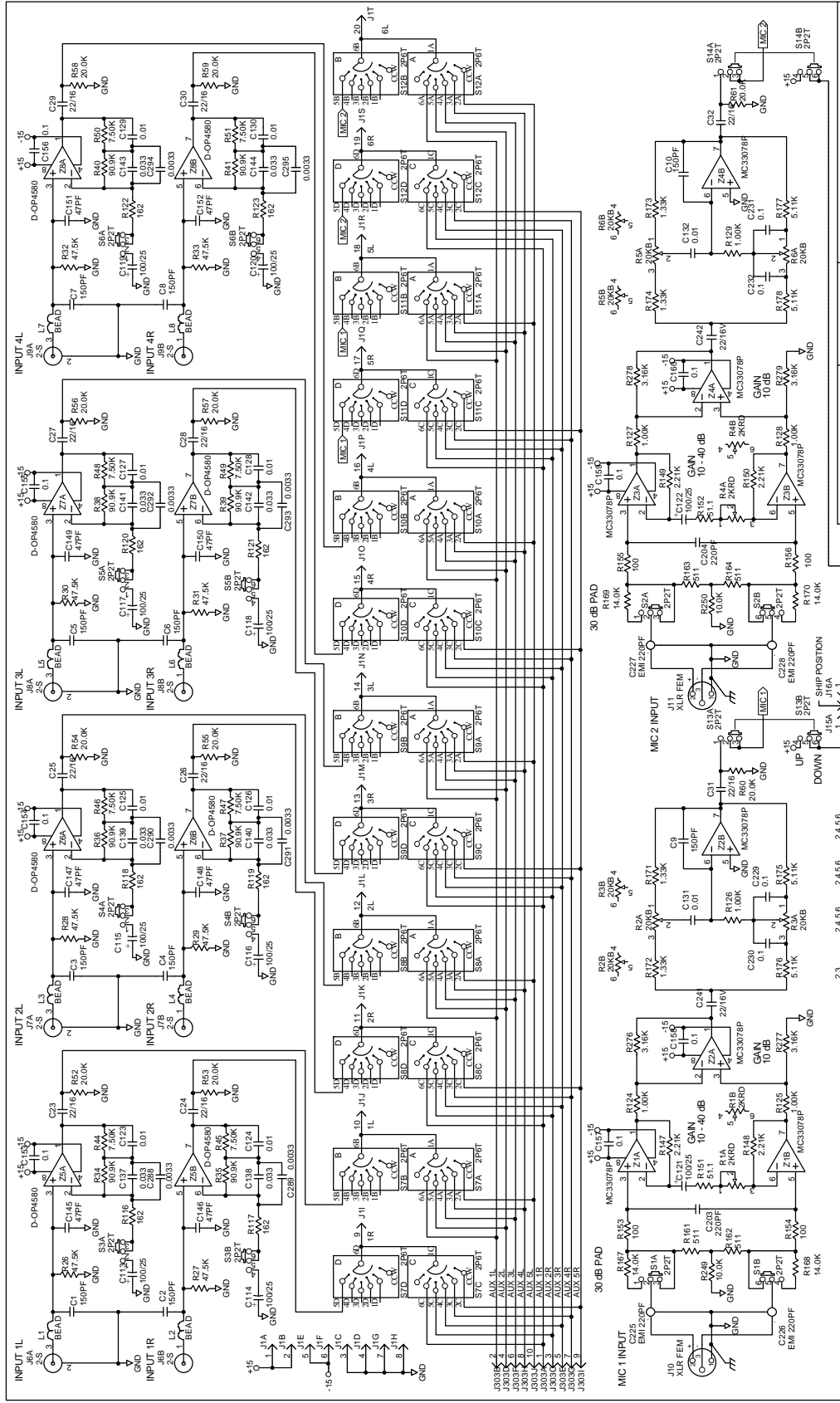


Rane Corp. (425)355-6000  
 103243 DES MP 2016 GAIN/OVERLOAD  
 NEW PRODUCT KRB 7MAY99



Rane Corp. (425)355-6000  
 103251 DES MP 2016 TONE  
 NEW PRODUCT KRB 7MAY99



**INPUT SELECT MP2016**

**RANE**

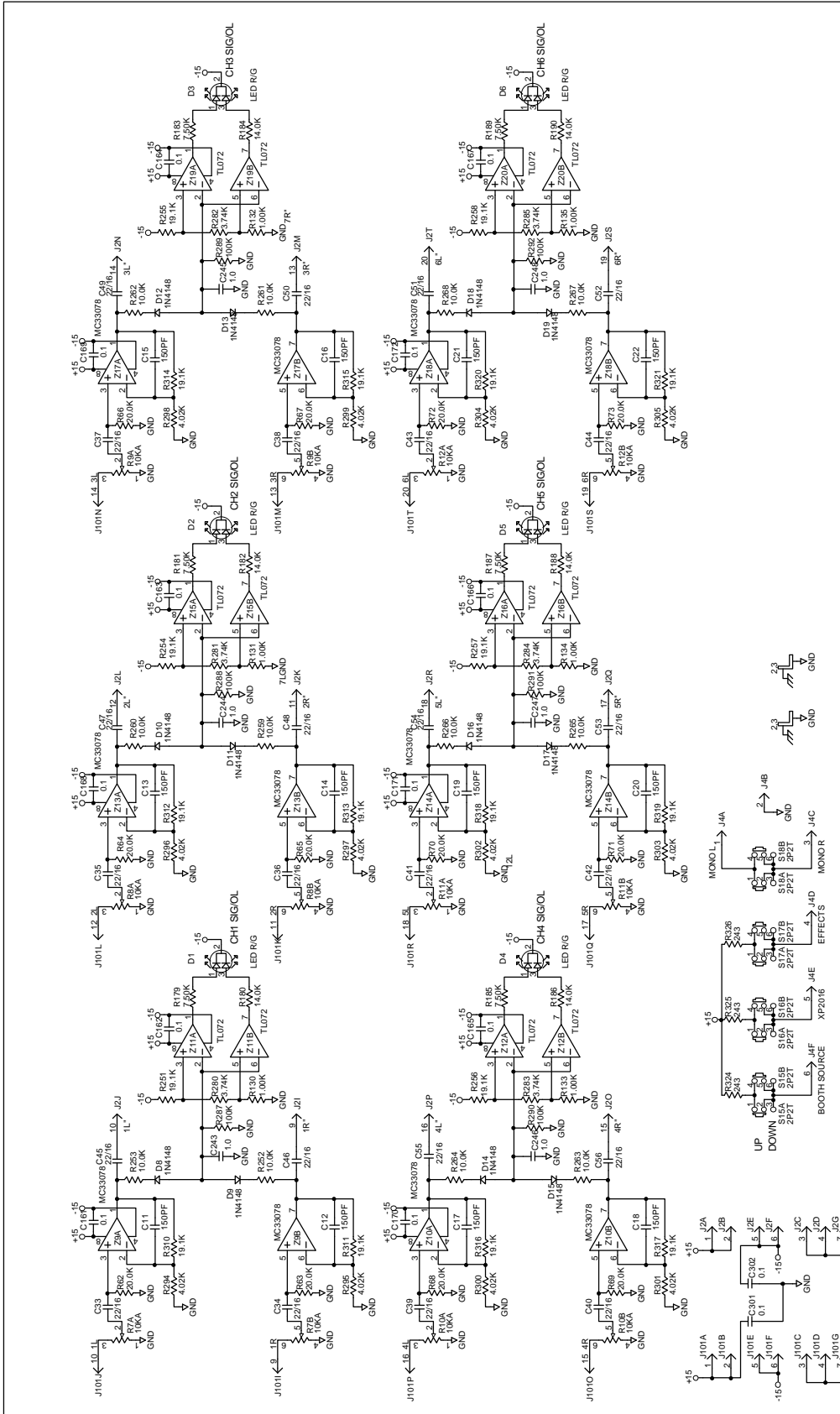
10892 47th Avenue West (SEE)  
 NUMBER 10A, SEATTLE 98148

DRAWN BY: **RJ**    CHECKED BY: **KRB**    1 of 6    103676-1

ACTION:

0.010µT  
 0.000665 SCH

2-DIG-1999



**! CAUTION**

**RANE** GAINOVERLOAD MP2016

10092 47th Avenue West (SEE)  
 NUMBER 174 98275-50381

DRAWN BY: **KRB** CHECKED BY: **KRB** 2 of 6 103676-2

ACTION:

MONO L-1

UP DOWN

BOOTH SOURCE

EFFECTS

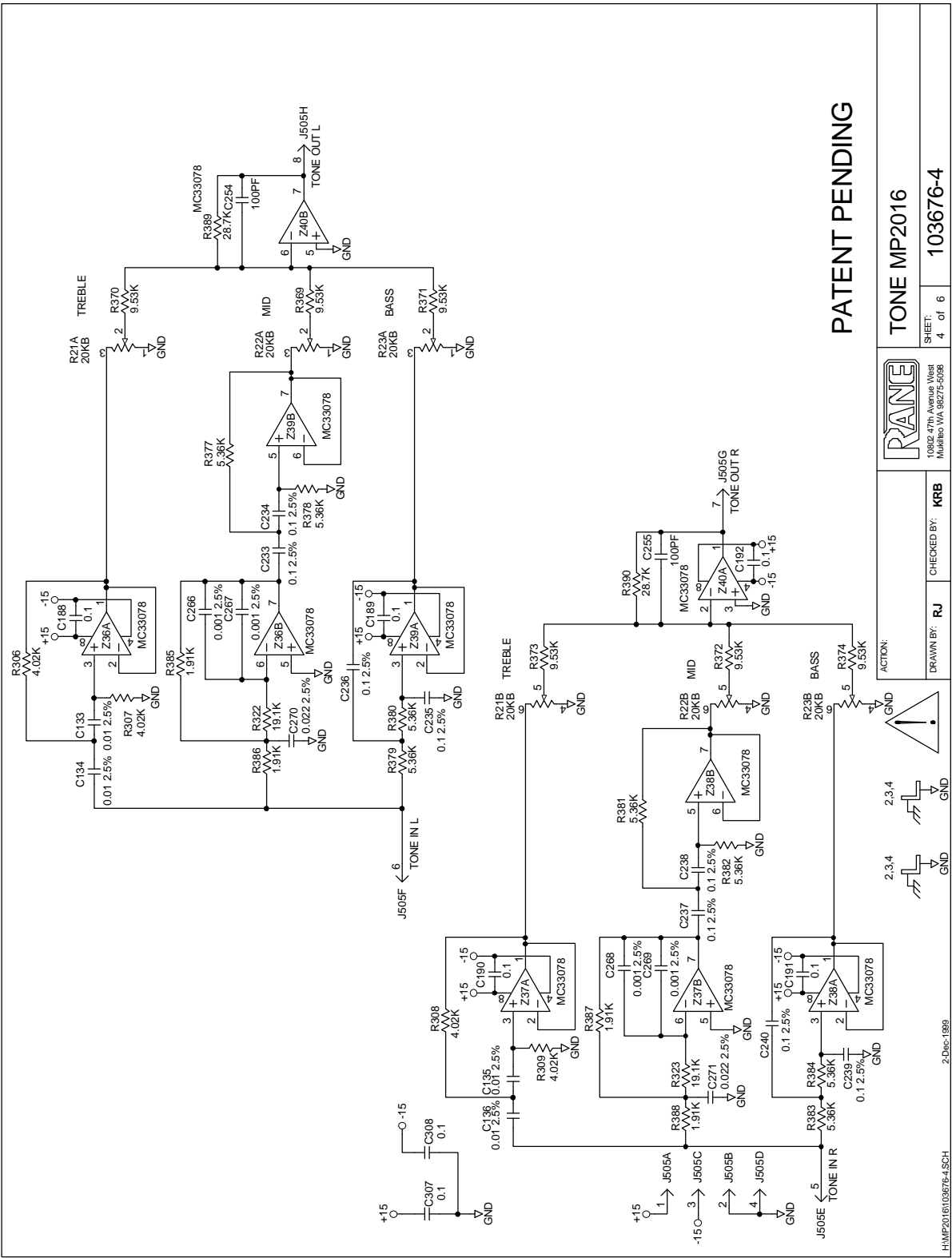
XP2016

J101A J101B J101C J101D J101E J101F J101G J101H J101I J101J J101K J101L J101M J101N J101O J101P J101Q J101R J101S J101T J101U J101V J101W J101X J101Y J101Z J101AA J101AB J101AC J101AD J101AE J101AF J101AG J101AH J101AI J101AJ J101AK J101AL J101AM J101AN J101AO J101AP J101AQ J101AR J101AS J101AT J101AU J101AV J101AW J101AX J101AY J101AZ

2-DWG-1999

H:\MP2016\103676-2.SCH



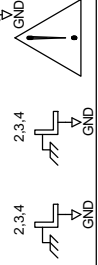


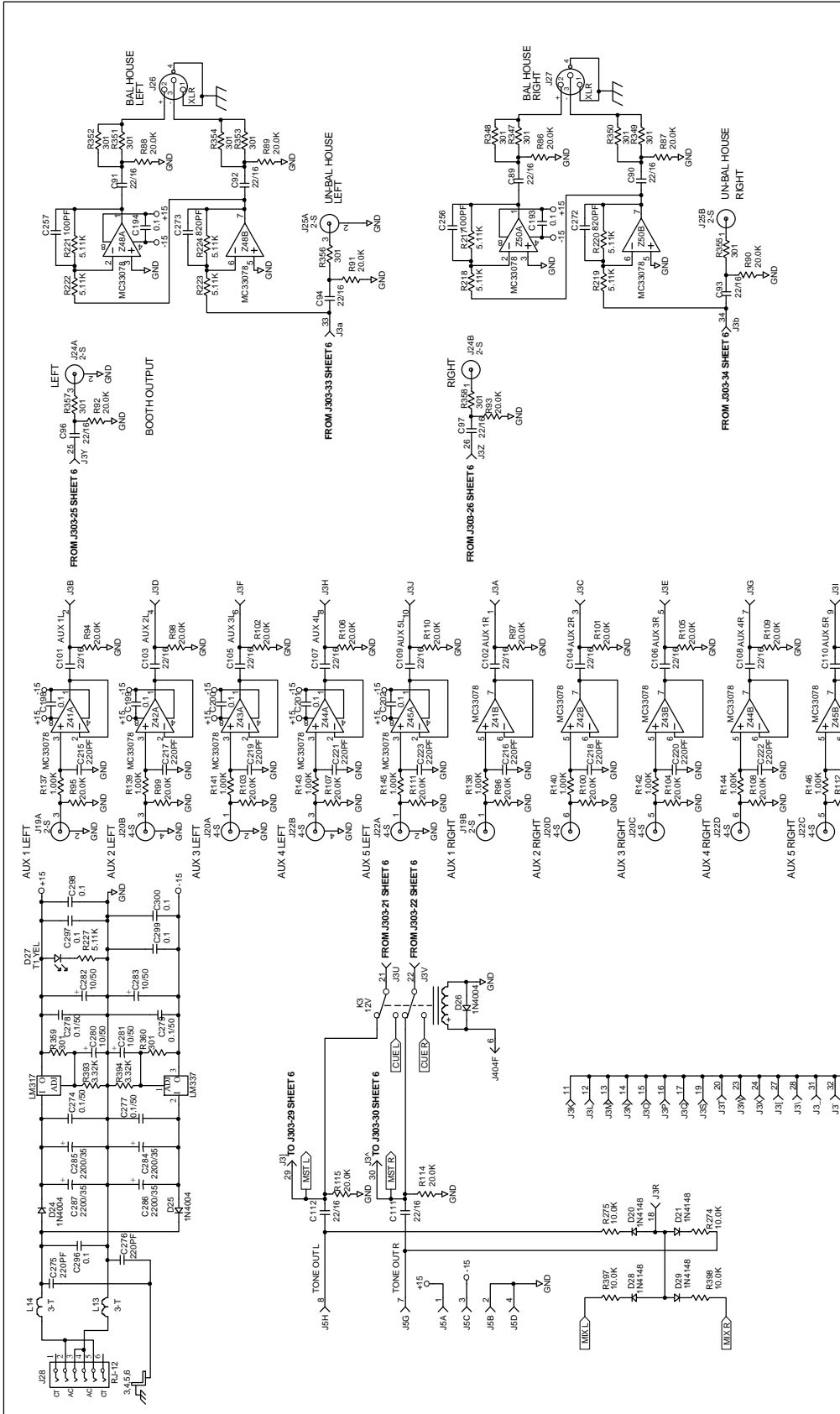
PATENT PENDING

TONE MP2016  
 SHEET: 4 of 6  
 103676-4



DRAWN BY: **RJ**  
 CHECKED BY: **KRB**





**OUTPUT MP2016**

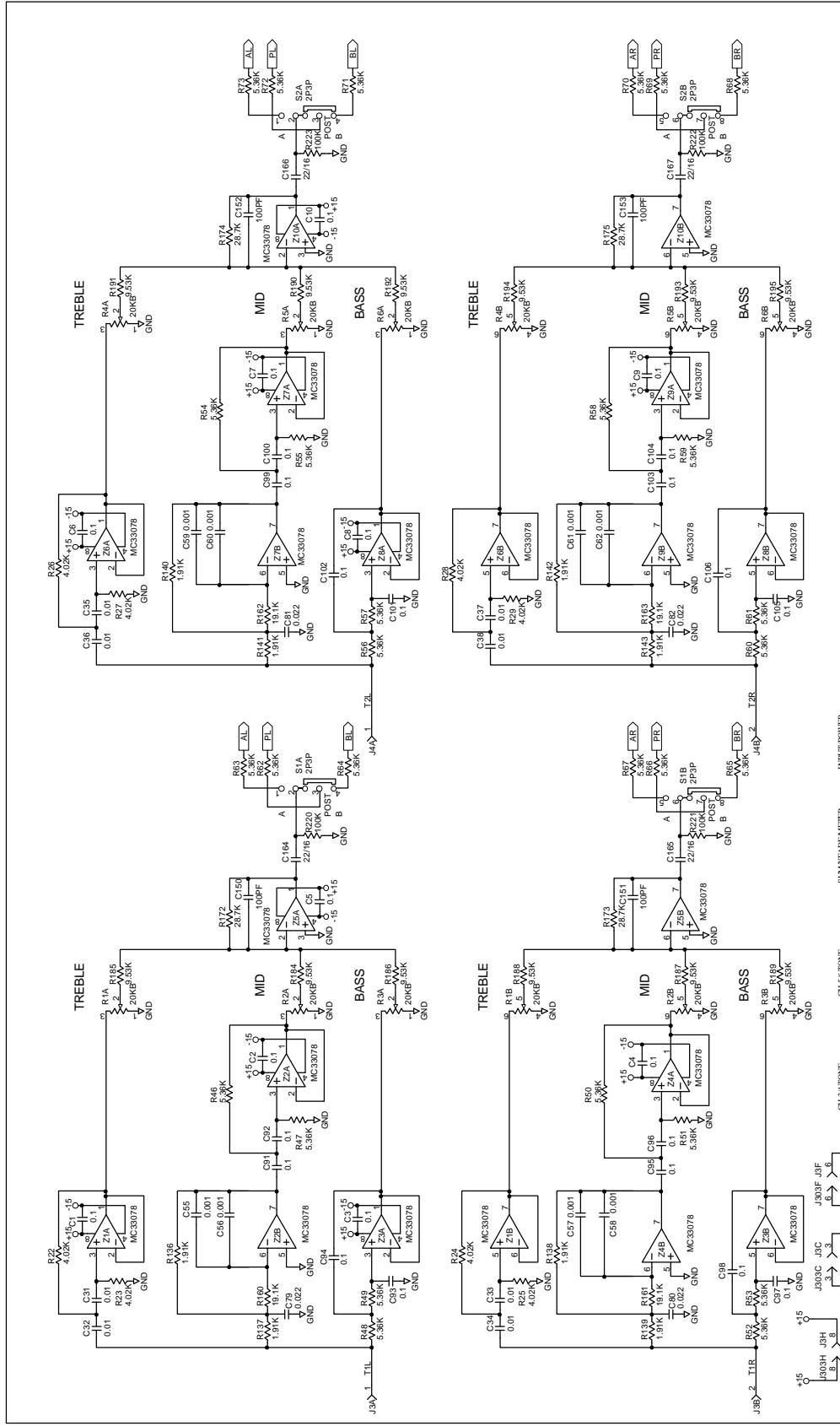
10802 47th Avenue West SHEET: 5 of 6  
 103676-5

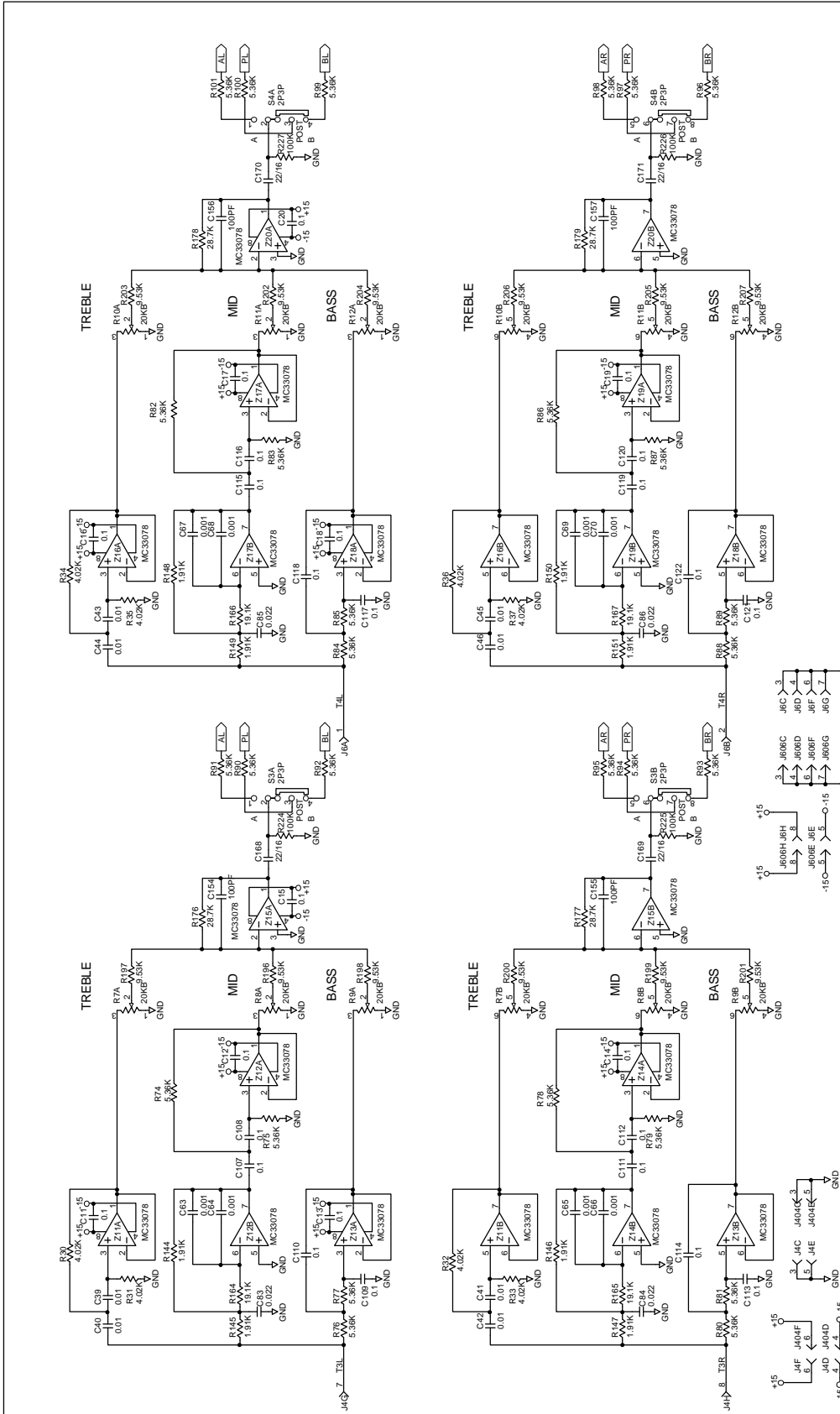
ACTION:	ADDED NOMENCLATURE TO J3	DRAWN BY: RJ	CHECKED BY: KRB
---------	--------------------------	--------------	-----------------

2-DWG-1999

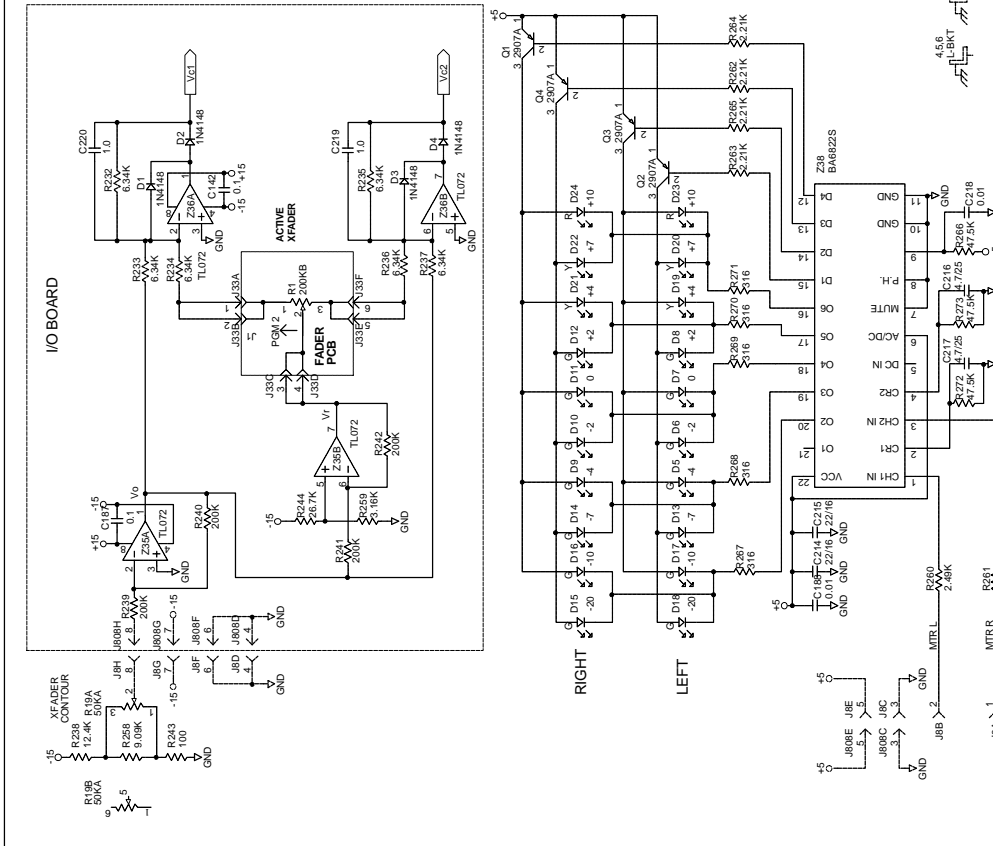
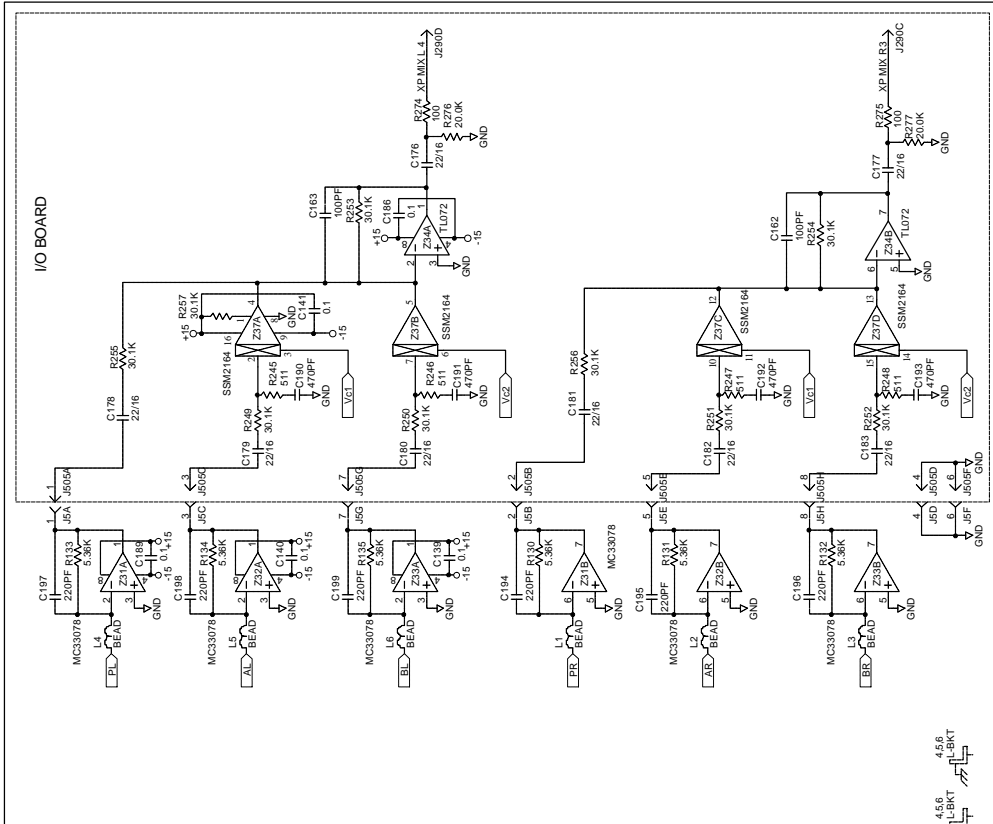












**RANE**  
 10802 47th Avenue West  
 Tukwila, WA 98148-3681

**MIXXFADE/METER XP 2016**

103273

19-04-2024

103273-4-SCH

14 of 5

REVISION: RUMFB  
 CHECKED BY: RUMFB

ACTION: !

