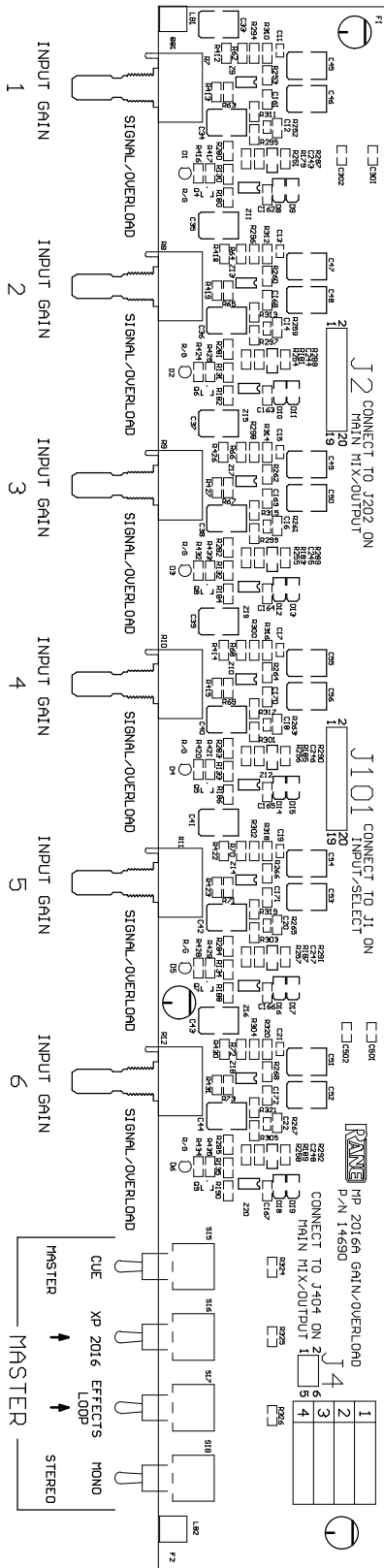
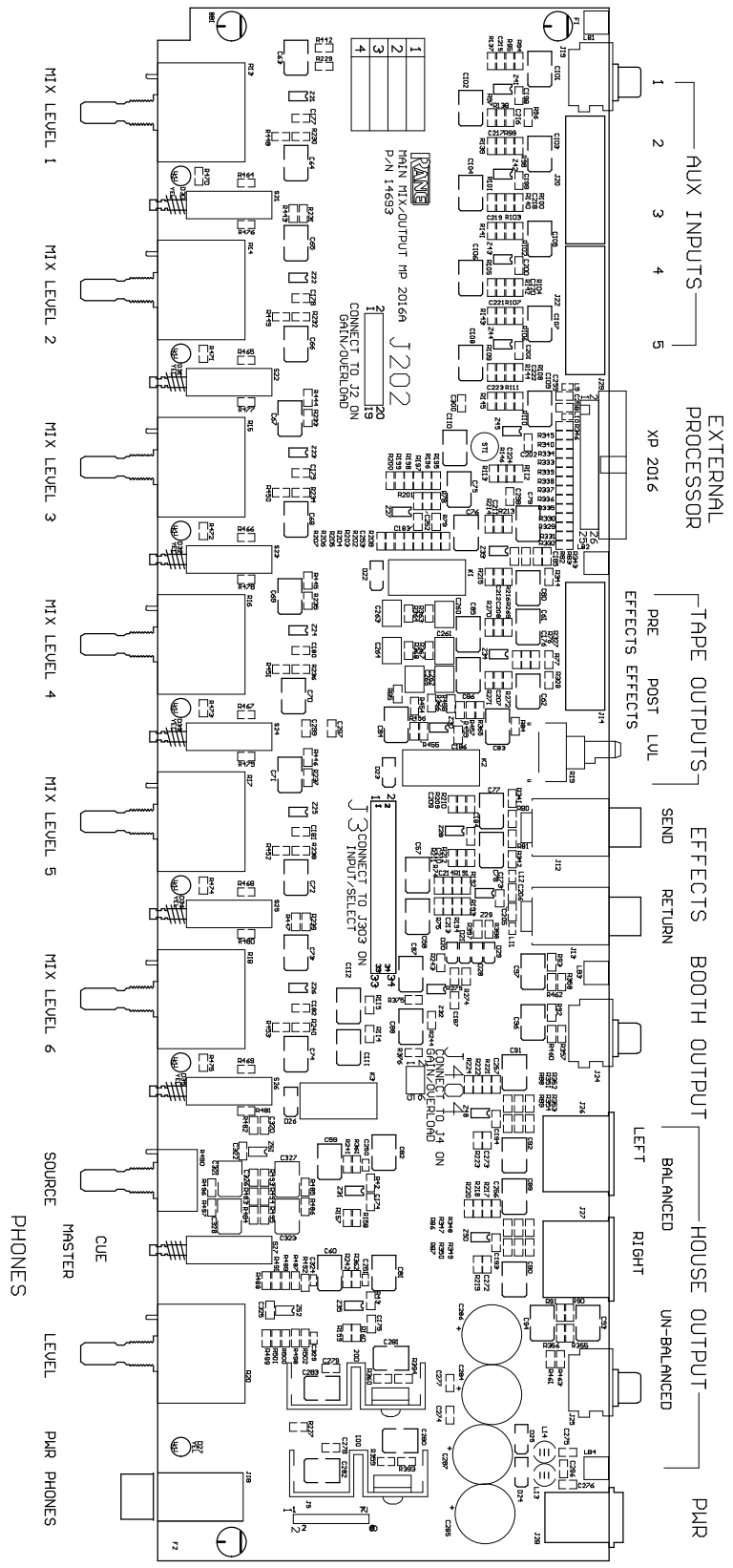
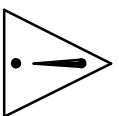
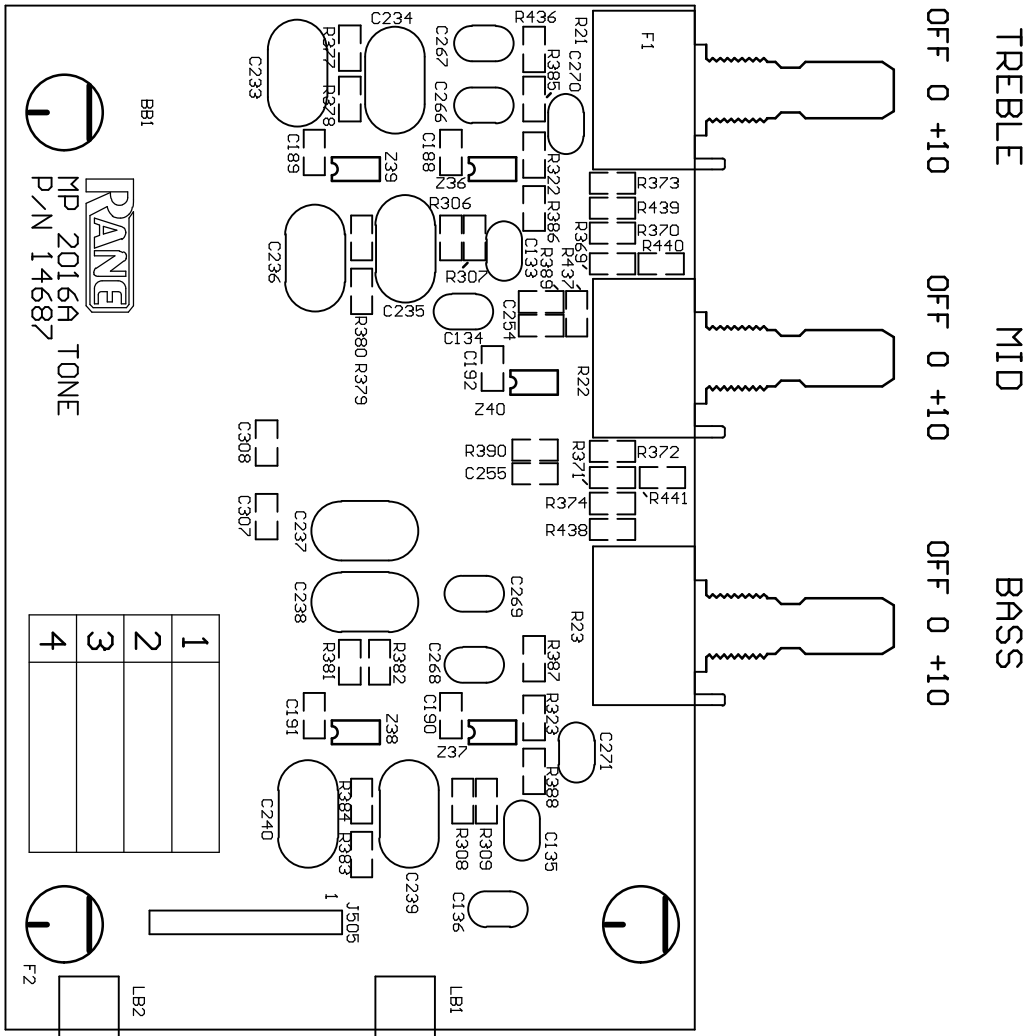


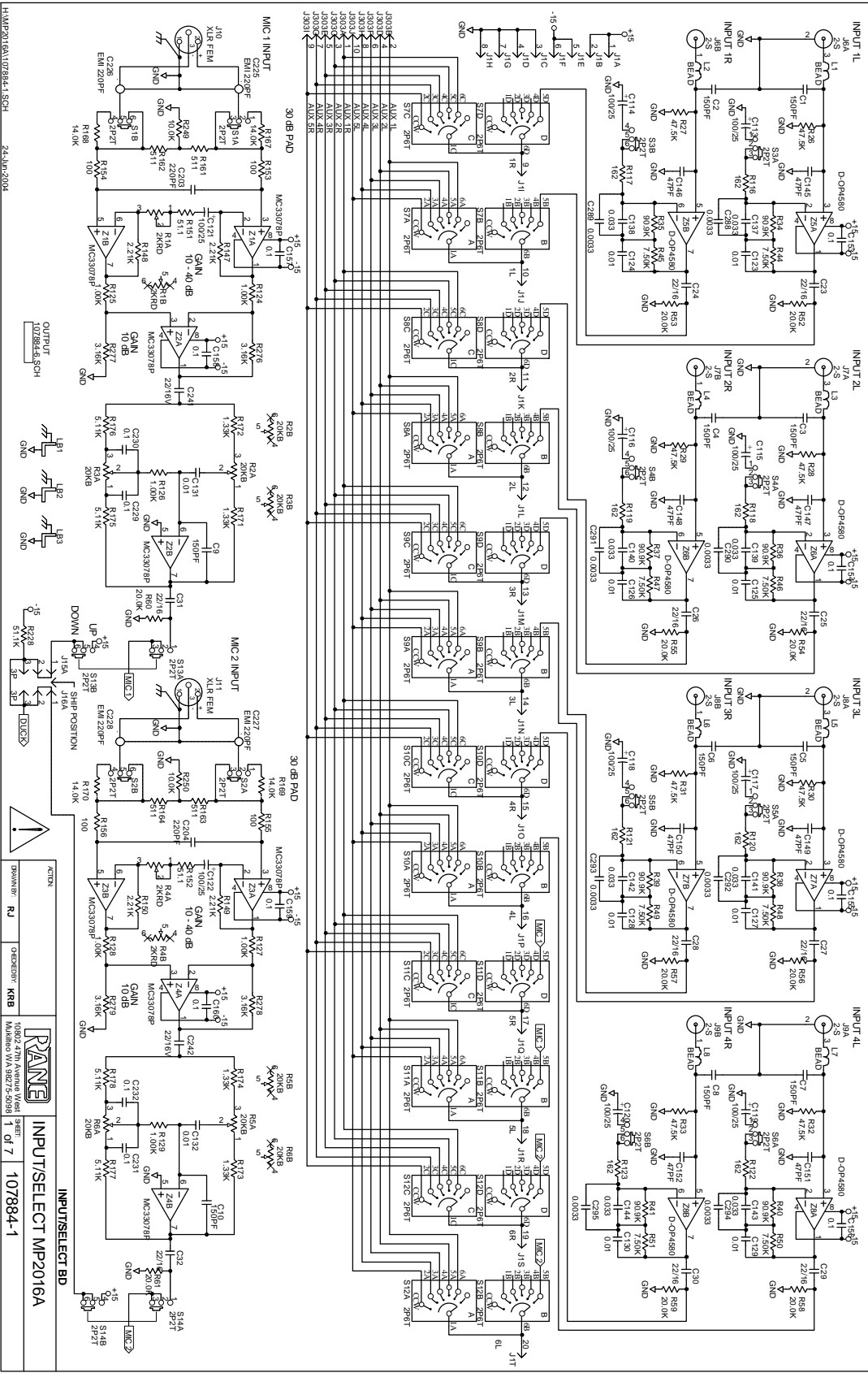
Rane Corp. (425)355-6000
 107895 DES MP 2016A INPUT/SELECT
 ACTION: NEW PRODUCT MK1 10MAY04







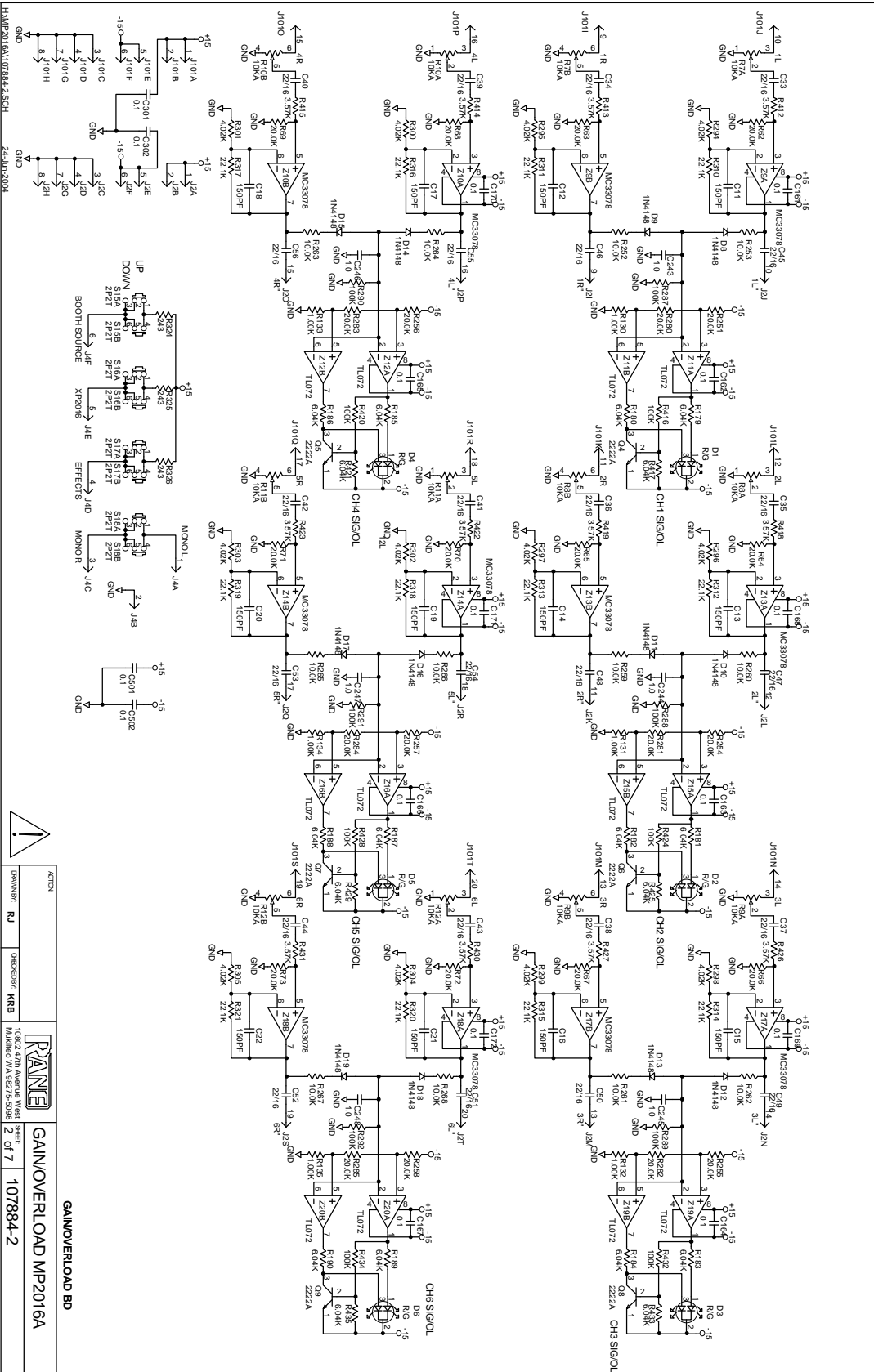
Rane Corp. (425)355-6000
 107923 DES MP 2016A TONE SHT 1 OF 2
 NEW PRODUCT MKM 4MAY04



HWP/2016A/17/84-1 SCH 24 JUN 2004

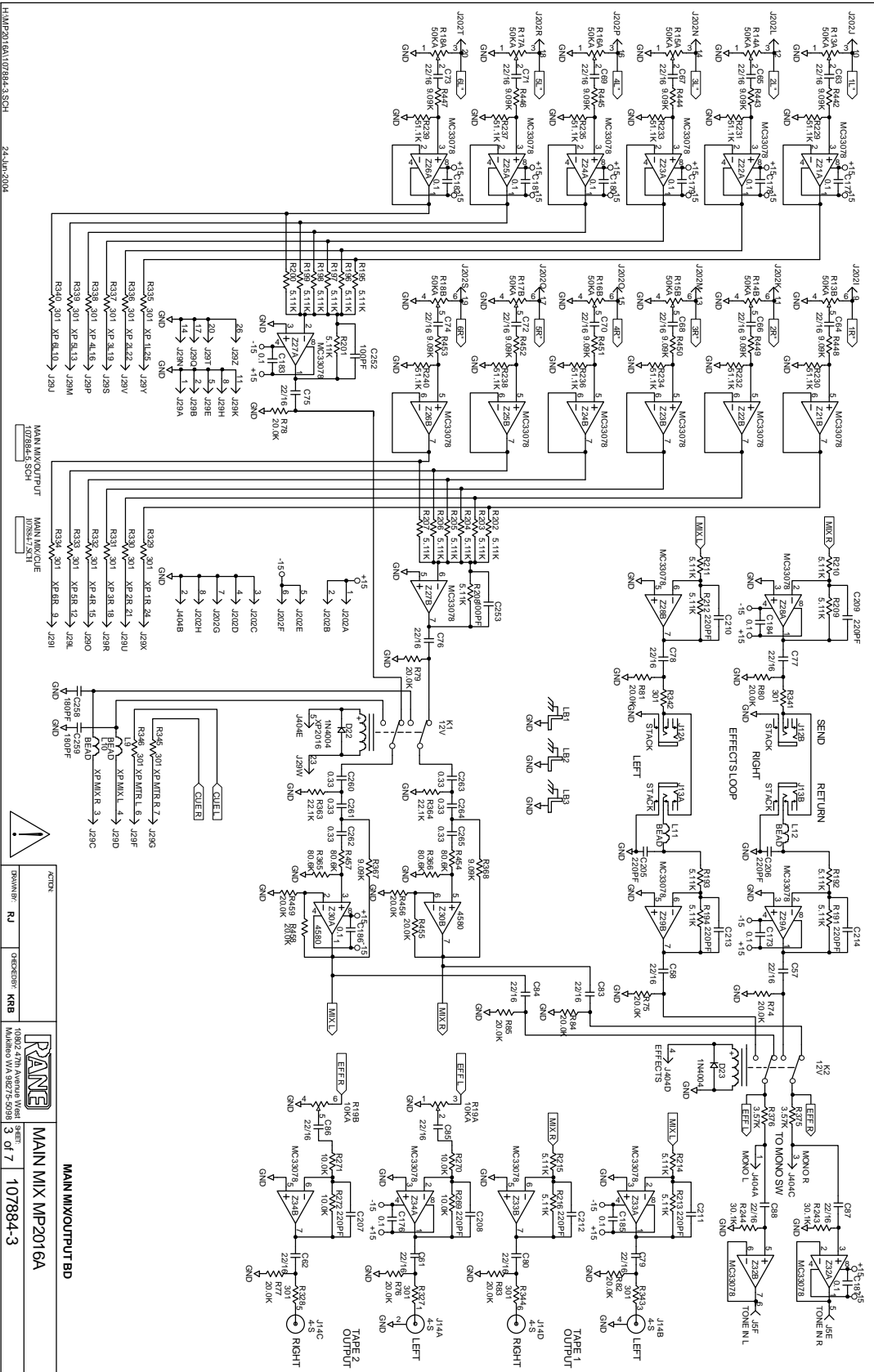
REVISION	DATE	BY	DESCRIPTION
1			
2			
3			
4			
5			
6			
7			
8			
9			
10			
11			
12			
13			
14			
15			
16			
17			
18			
19			
20			
21			
22			
23			
24			
25			
26			
27			
28			
29			
30			
31			
32			
33			
34			
35			
36			
37			
38			
39			
40			
41			
42			
43			
44			
45			
46			
47			
48			
49			
50			

PANE
 10802 27th Avenue West SEET
 Mukwonago, WI 53075-5889 | 01 7 107884-1



	CAUTION DANGER: R1 CREATOR: KRB 10802 27th Avenue West Hudsonville, MI 49421-5889 2 of 7 107884-2
GAINOVERLOAD BD	
GAINOVERLOAD MP2016A	

H:\HW\2716A\107884-2.SCH 24-Jun-2004



H:\MP216A\107884-3.SCH 24.Jun.2004

MAIN MIXCUTPUT
107884-3.SCH

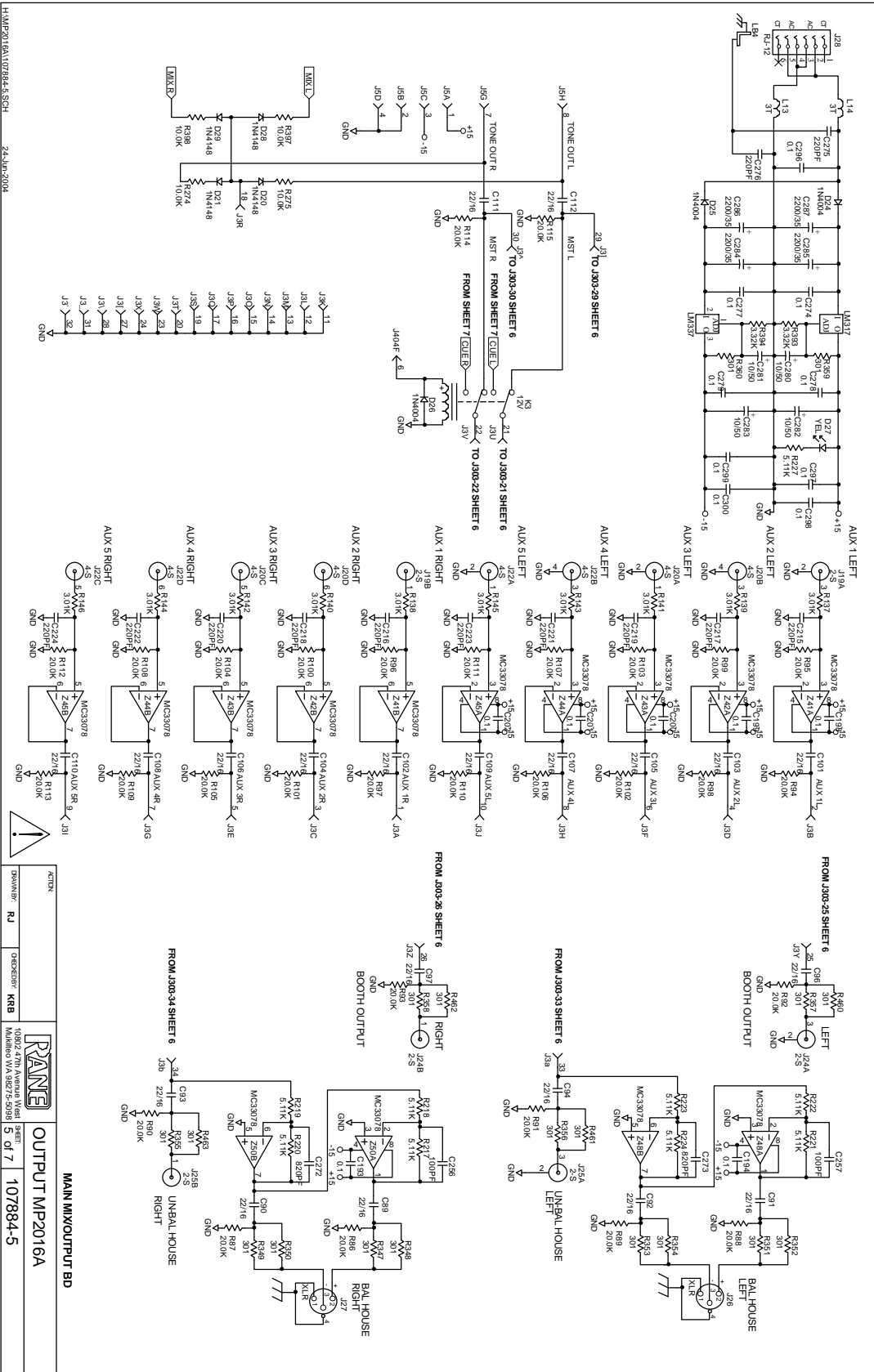
MAIN MIXCUTPUT
107884-3.SCH

ACTOR
DRAWN BY: RU
CHECKED BY: KRB

PAANE
10802 47th Avenue West
Maple Ridge, BC V2X 2Y7
3 of 7

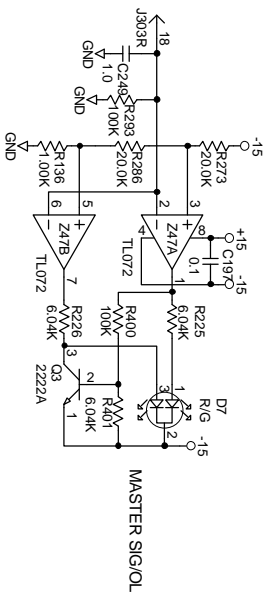
MAIN MIX MP2016A
107884-3

MAIN MIX/OUTPUT BD

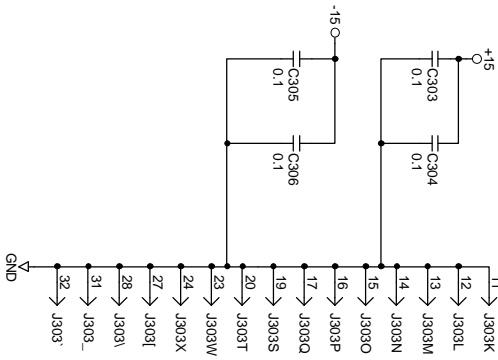
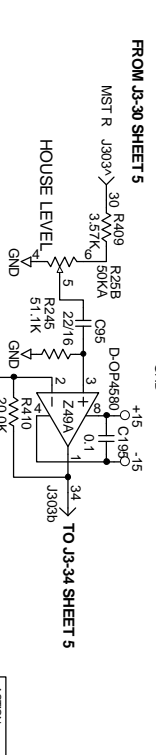
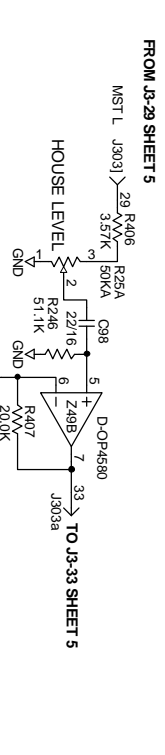
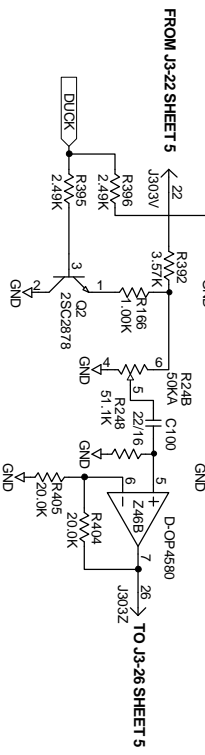
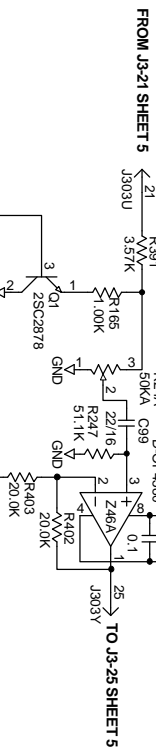


SECTION	OUTPUT MP2016A
DRAWN BY	RJ
CHECKED BY	KRB
DATE	1082 27th Avenue West Mankato, MN 56002-5898
SHEET	5 of 7
PROJECT	107884-5

MAIN MIX/OUTPUT BD

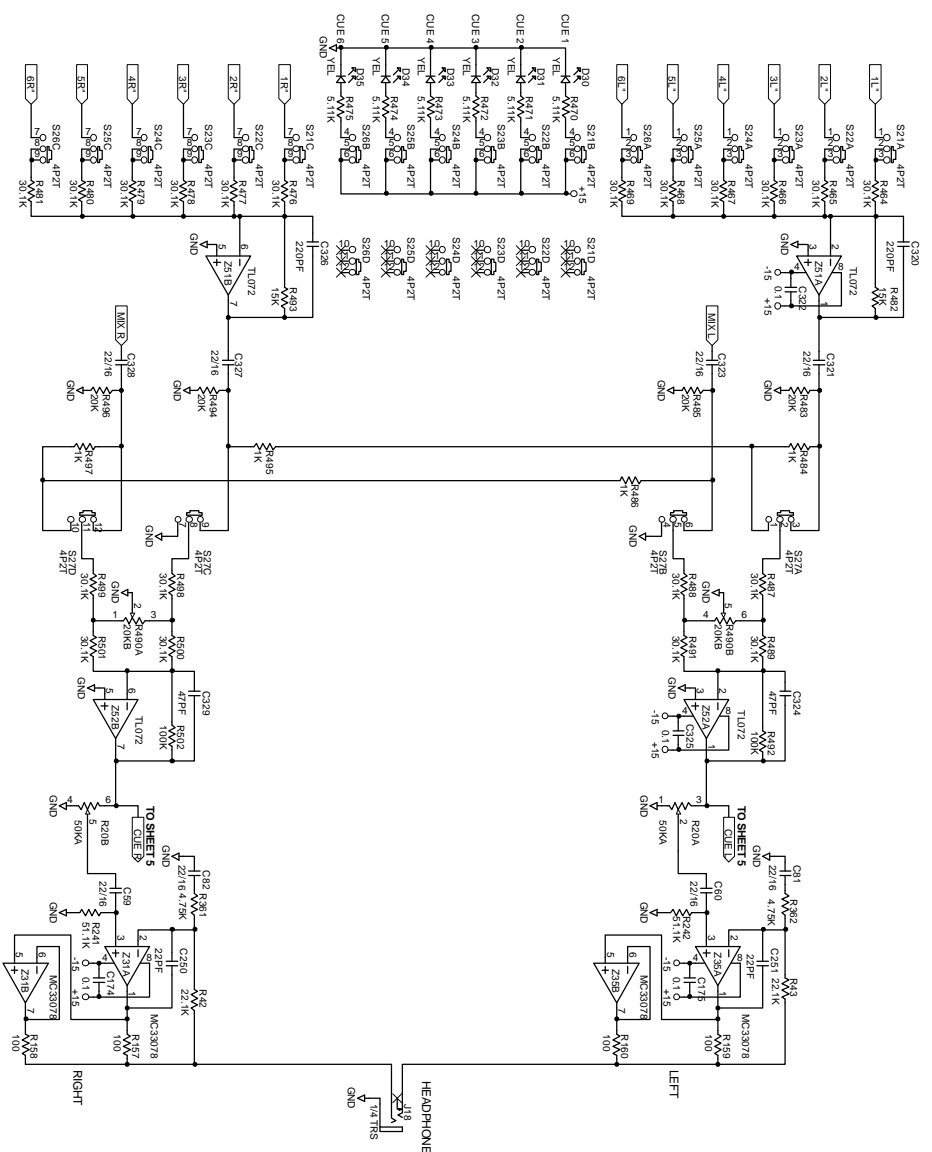


BOOTH LEVEL



INPUT/SELECT BD

ACTION:		DRAWN BY: RJ		CHECKED BY: KRB		 10802 47th Avenue West Mukilteo WA 98275-5098	SHEET: 6 of 7		OUTPUT MP2016A 1078846
HMP2016A1078846.SCH		24-Jun-2004							



ACTION		DATE	BY	CHKD BY	REV
DRAWN BY		RU			
CHECKED BY					
10802 47th Avenue West					
Mukwonago WA 98275-5881					
SHEET		1 of 7			
PROJECT		107884-7			
TITLE		MAIN MIXOUTPUT BD			