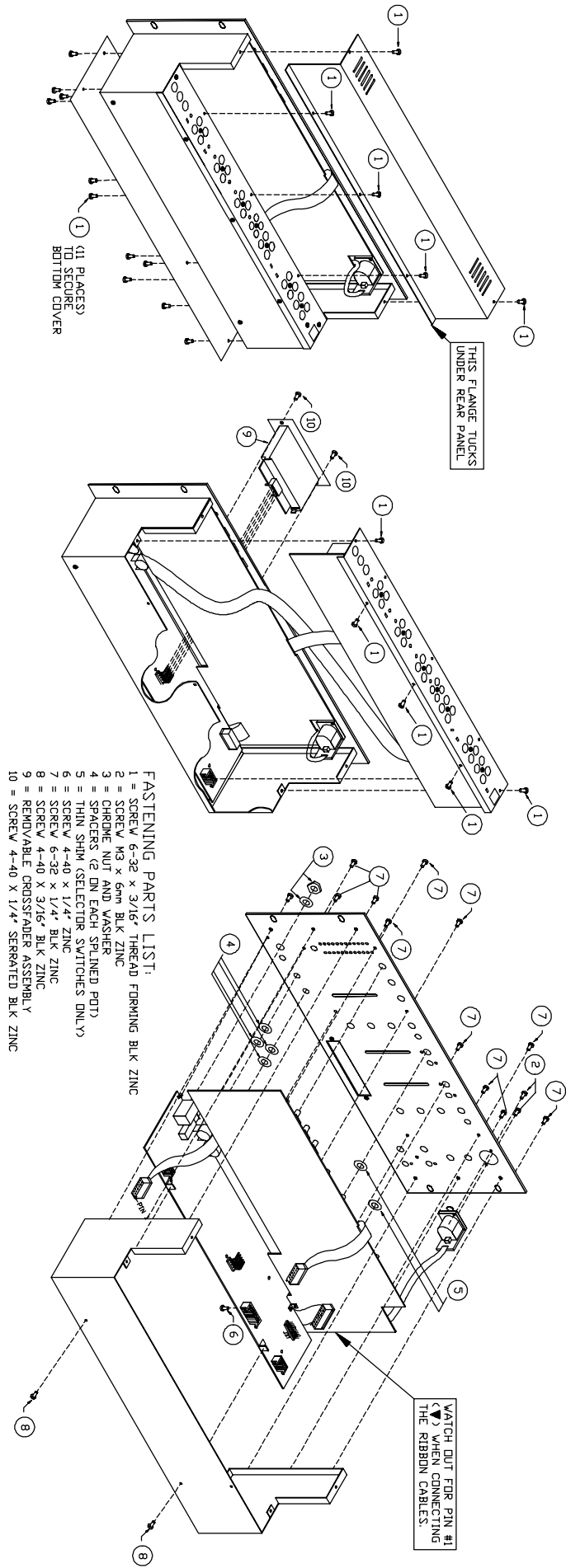
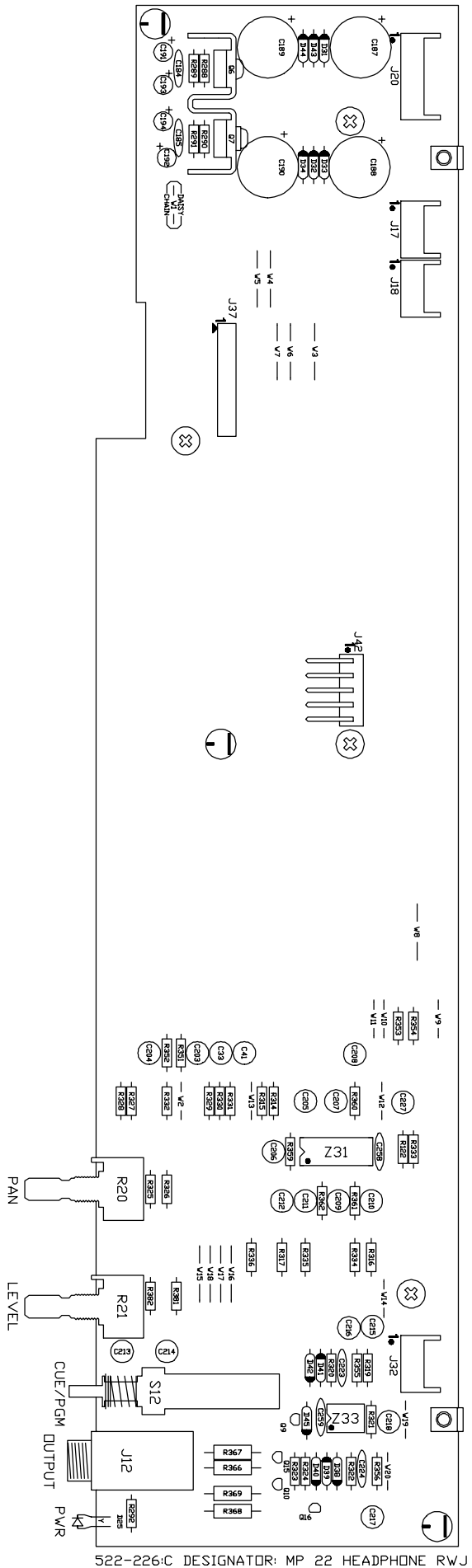


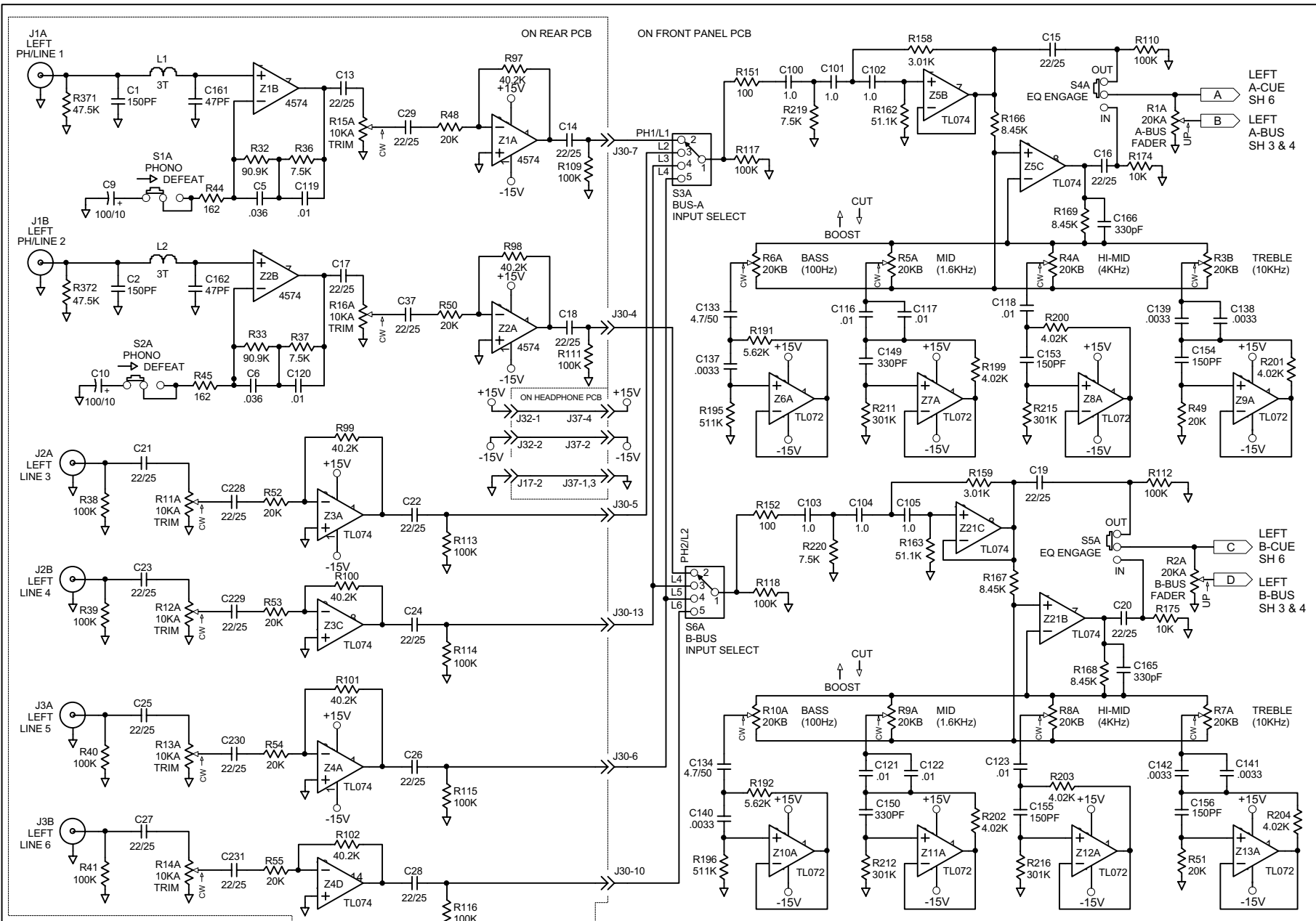
522-224E DESIGNATOR: MP 22 FRONT/REAR/XFADER ACTION; ADDED C267 TO THE FRONT PCB, MOVED SOME PARTS FOR IMPROVED R.I. MARKED (3) CAPS OMIT. RJT 5NOV96



Schematic-2

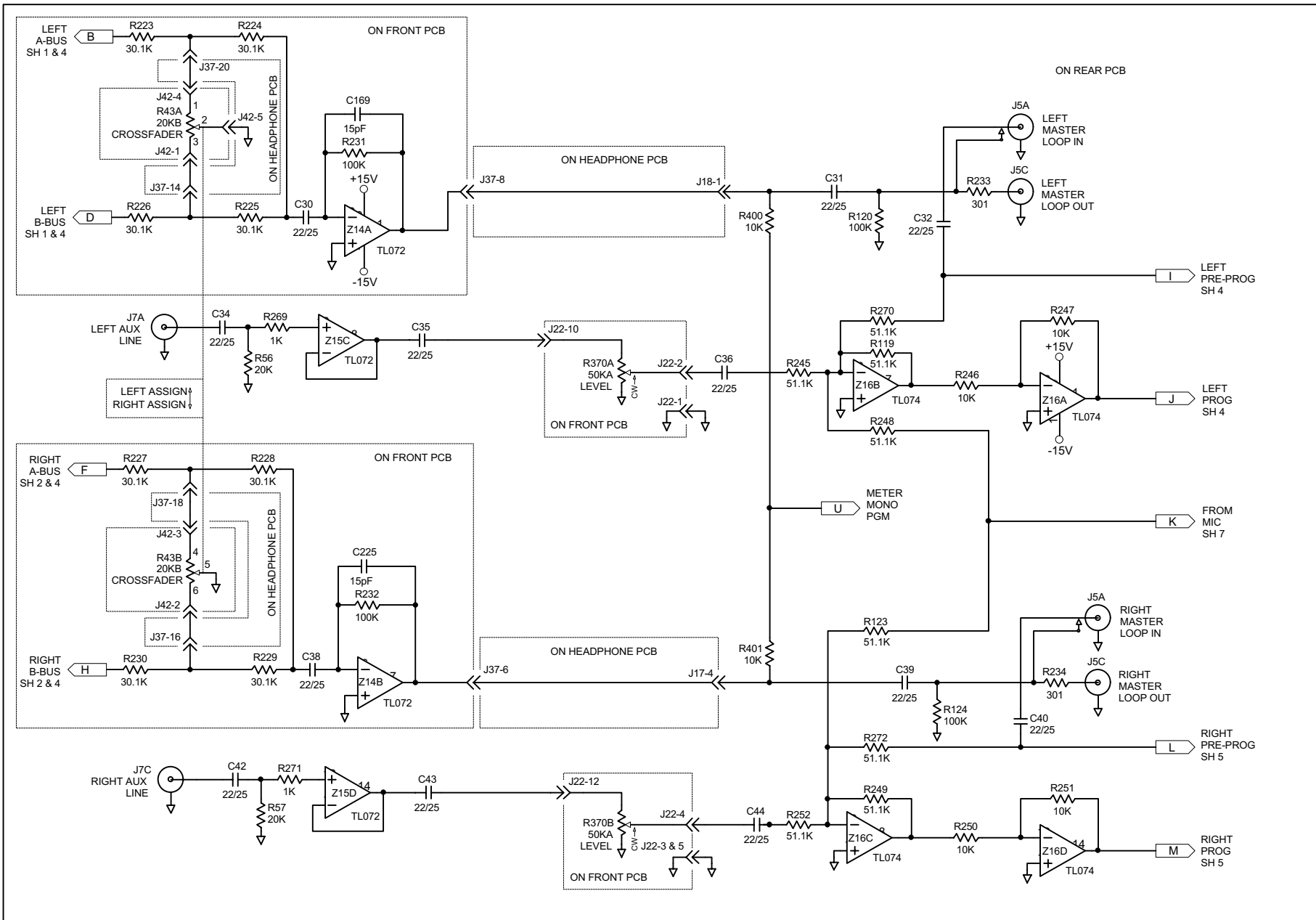


522-226:C DESIGNATOR: MP 22 HEADPHONE RWJ



NOTES (UNLESS OTHERWISE SPECIFIED)
 1. ALL RES 1/4W, 1% METAL FILM
 2. ALL SWs SHOWN IN THEIR "OUT" OR "OFF" POSITION
 3. ALL CAPS W/O VOLTAGE NOTED ARE 100V POLY FILM
 4. CAP TYPES: MP-METAL POLY, CD-CERAMIC DISC, MC-MULTI LAYERED CERAMIC DISC
 H:\MP22\521-354.SCH 12-Feb-1997

ACTION: CHANGED MANY VALUES FOR COMMONALITY			MP 22 LEFT INPUTS & EQ	
DRAWN: S.Headrick	CHECKED: R.Harrison		10802 47th Avenue West Mukilteo WA 98275-5098	SHEET: 1 of 7
				A



SEE NOTES ON 521-259 SH 1

ACTION:
CHG MANY VALUES FOR COMMONALITY



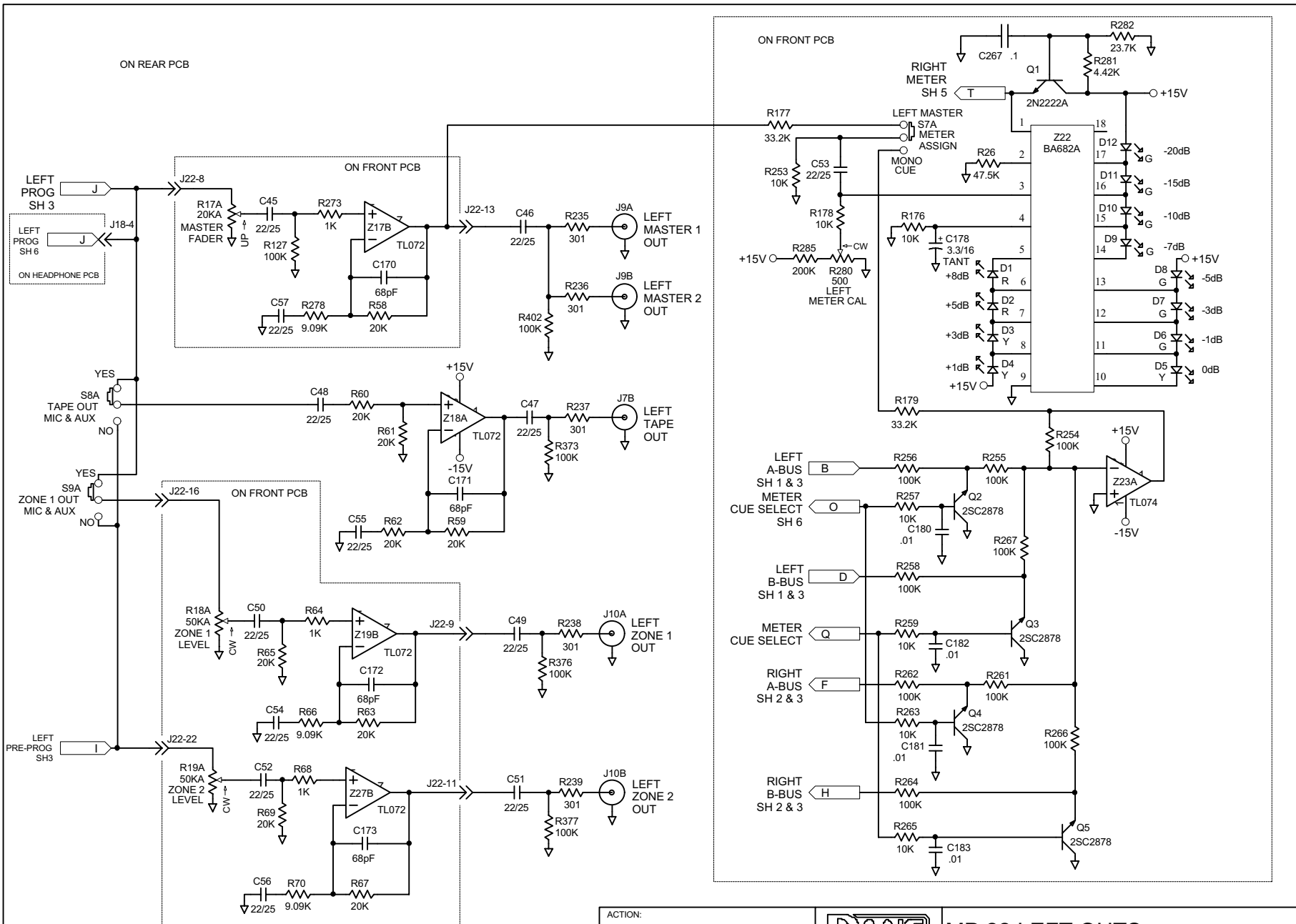
MP 22 LFT & RGT AUX INPUTS

10802 47th Avenue West
Mukilteo WA 98275-5098

SHEET:
3 of 7

521-356

A



SEE NOTES ON 521-259 SH 1

ACTION:
ADDED C267

DRAWN:
S.Headrick

CHECKED:
R.Harrison



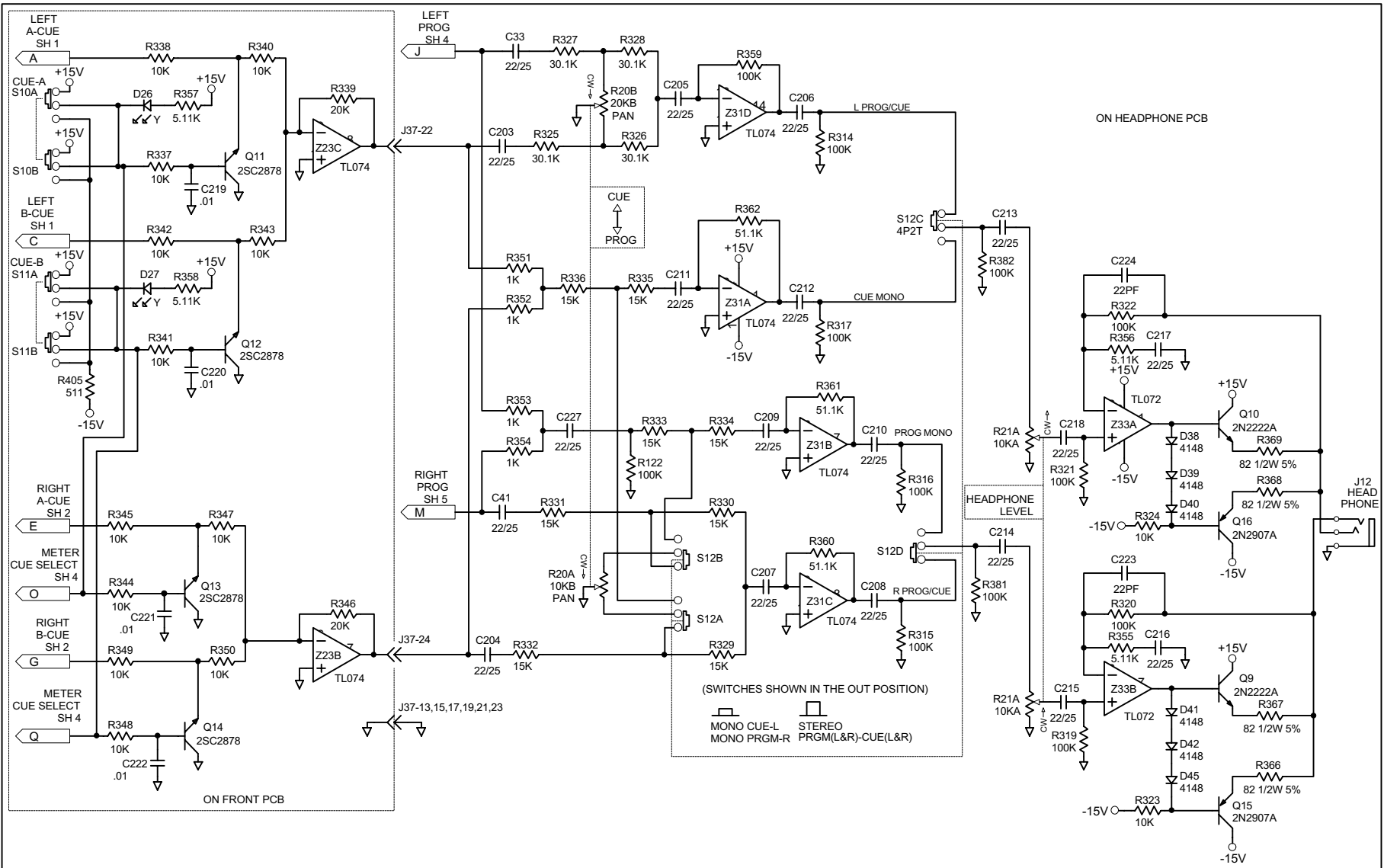
10802 47th Avenue West
Mukilteo WA 98275-5098

MP 22 LEFT OUTS

SHEET:
4 of 7

521-357

B



SEE NOTES ON 521-259 SH 1

ACTION:
CHG MANY VALUES FOR COMMONALITY



MP 22 HEADPHONE CIRCUITS

DRAWN:
S.Headrick

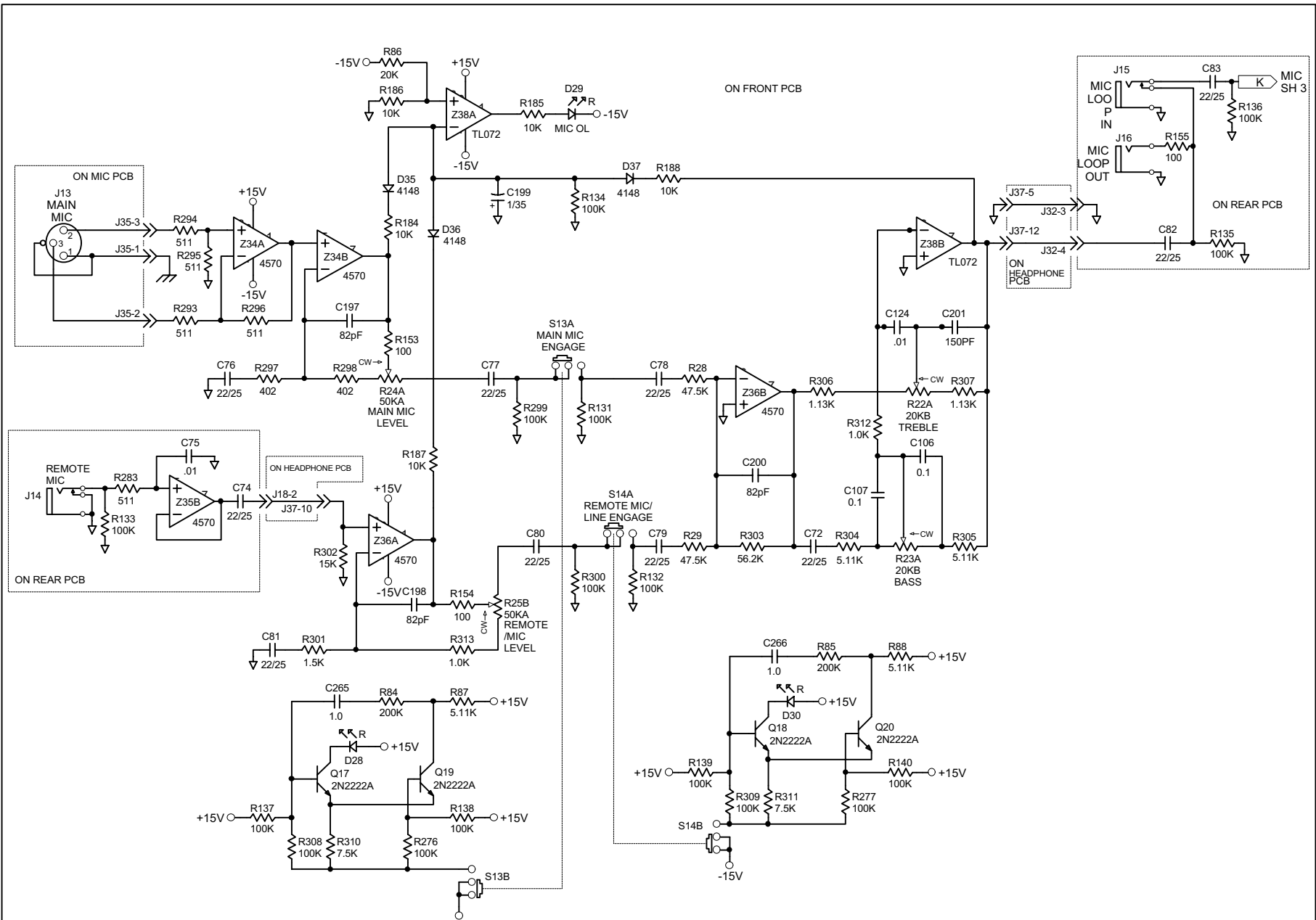
CHECKED:
R.Harrison

10802 47th Avenue West
Mukilteo WA 98275-5098

SHEET:
6 of 7

521-359

A



SEE NOTES ON 521-259 SH 1

H:\MP22\521-360.SCH

12-Feb-1997

ACTION:
CHG MANY VALUES FOR COMMONALITY

DRAWN:
S.Headrick

CHECKED:
R.Harrison



10802 47th Avenue West
Mukilteo WA 98275-5098

MP 22 MIC CIRCUITS

SHEET:
7 of 7

521-360

A