

NOTES (UNLESS OTHERWISE SPECIFIED)

1. ALL RES 1/4W, 1% METAL FILM
2. ALL SWS SHOWN IN THEIR "OUT" OR "OFF" POSITION
3. ALL CAPS W/O VOLTAGE NOTED ARE 100V POLY/FILM
4. CAP TYPES: MP- METAL POLY, CD-CERAMIC DISC, MC-MULTI LAYERED CERAMIC DISC

HMP22X101735-2.SCH 18-MAR-1988

ACTION: PART NOT CHANGED NEW DOC#

DRAWN BY: SKH

CHECKED BY: RGH

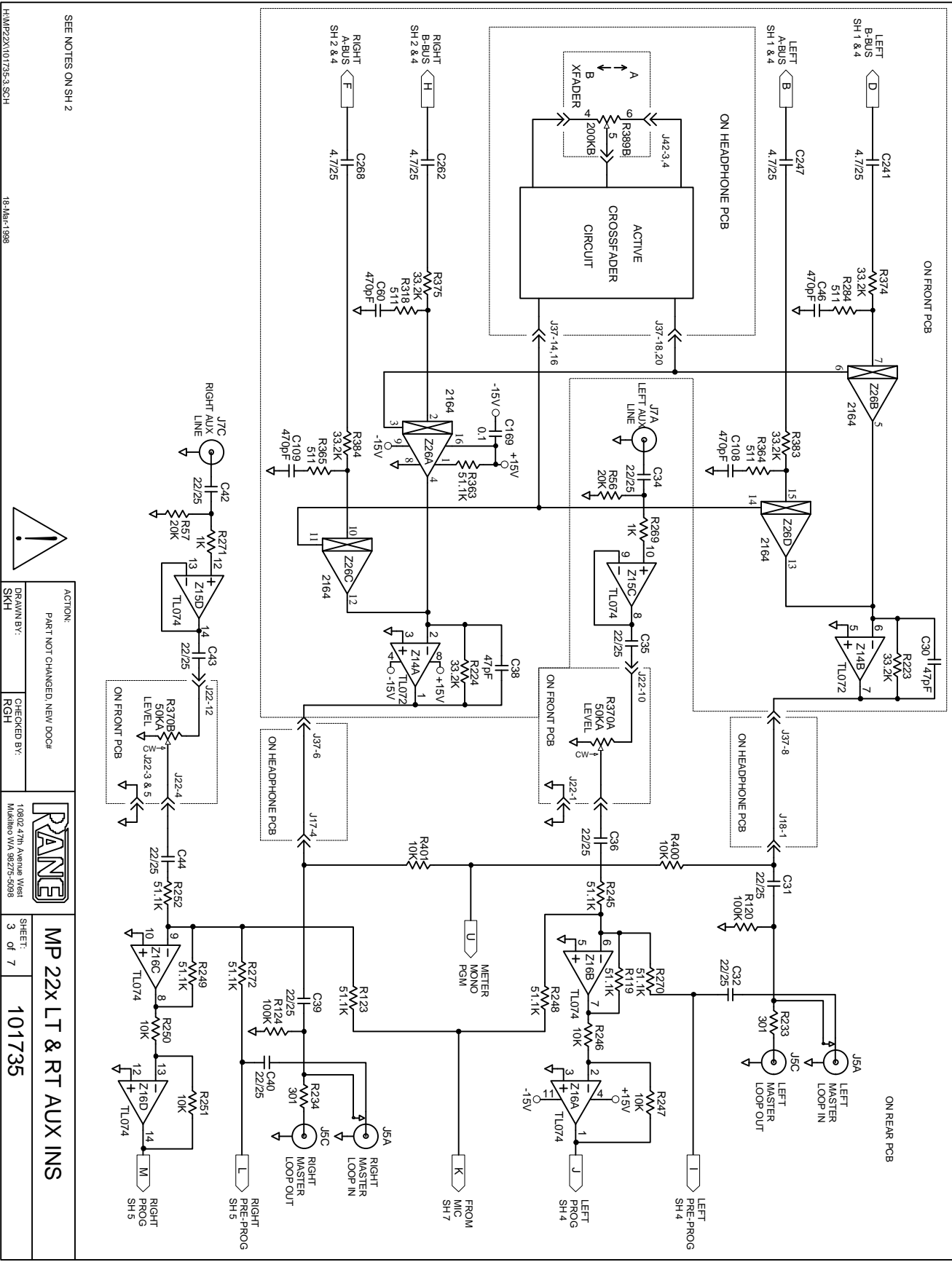
18002 47th Avenue West  
 Manning, VA 22125-3889

**PANE**

SHEET: 2 of 7

101735

SCHEM MP22X RT INS & EQ



SEE NOTES ON SH 2

ACTION:  
PART NOT CHANGED NEW DOC#

DRAWN BY: SKH  
CHECKED BY: RGH

10802 47th Avenue West  
Murrieta, CA 92562-3899

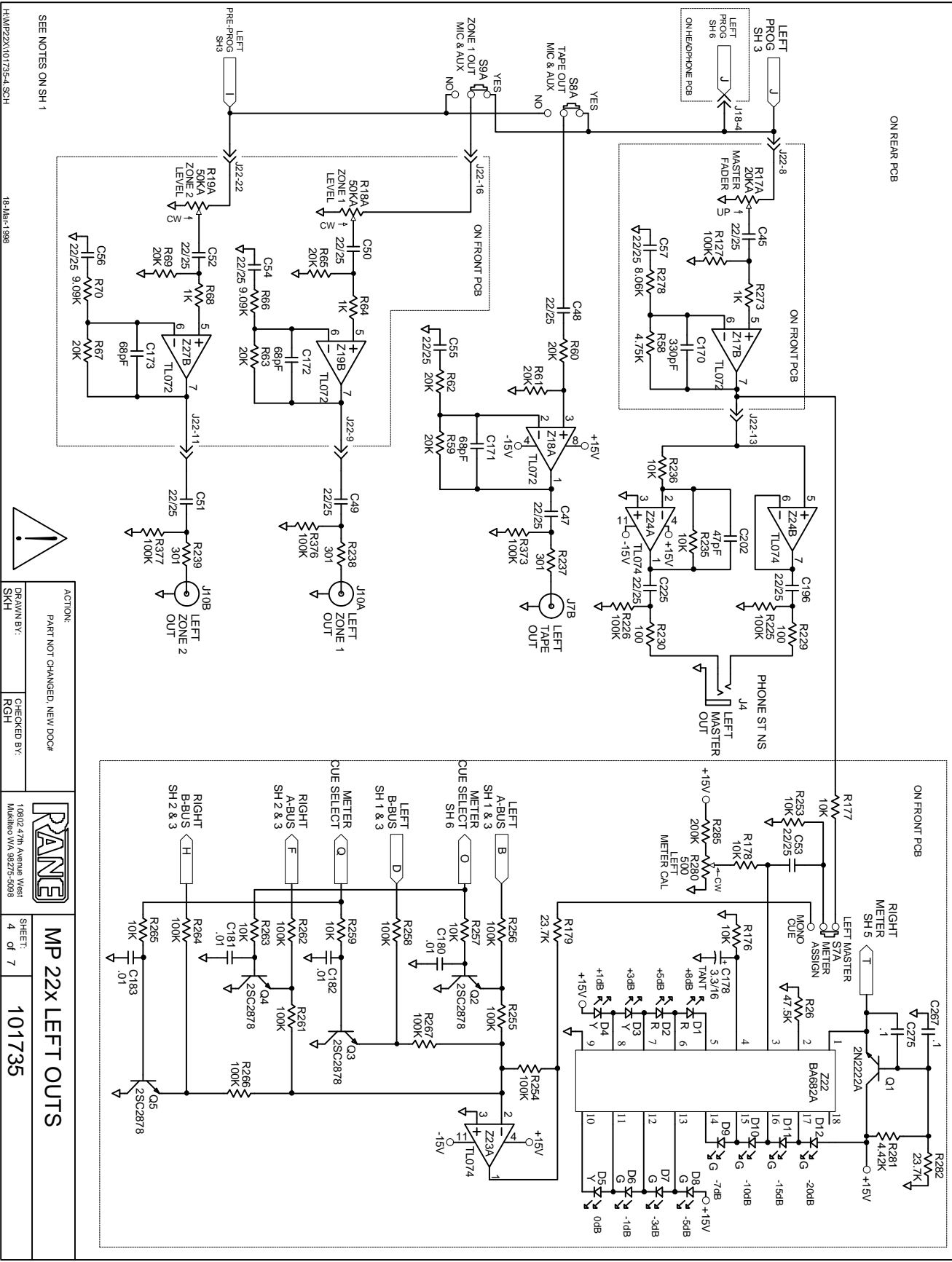
**PANE**

MP 22x LT & RT AUX INS

SHEET: 3 of 7

101735

18-Mar-1988



ON REAR PCB

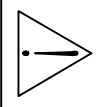
ON FRONT PCB

ON FRONT PCB

SEE NOTES ON SH 1

HMP22X101735-4-SCH

18-Mar-1988



ACTION:  
PART NOT CHANGED, NEW DOC#

DRAWN BY: SKH  
CHECKED BY: RGH

**PANE**  
10802 47th Avenue West  
Minnetonka, MN 55343-3699

**MP 22x LEFT OUTS**

SHEET: 4 of 7  
101735



