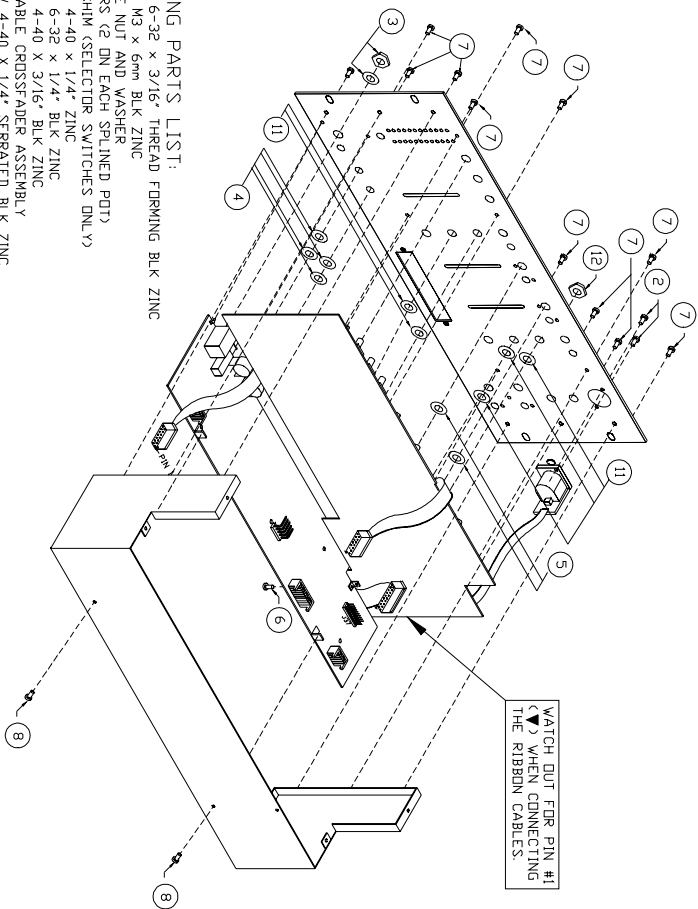
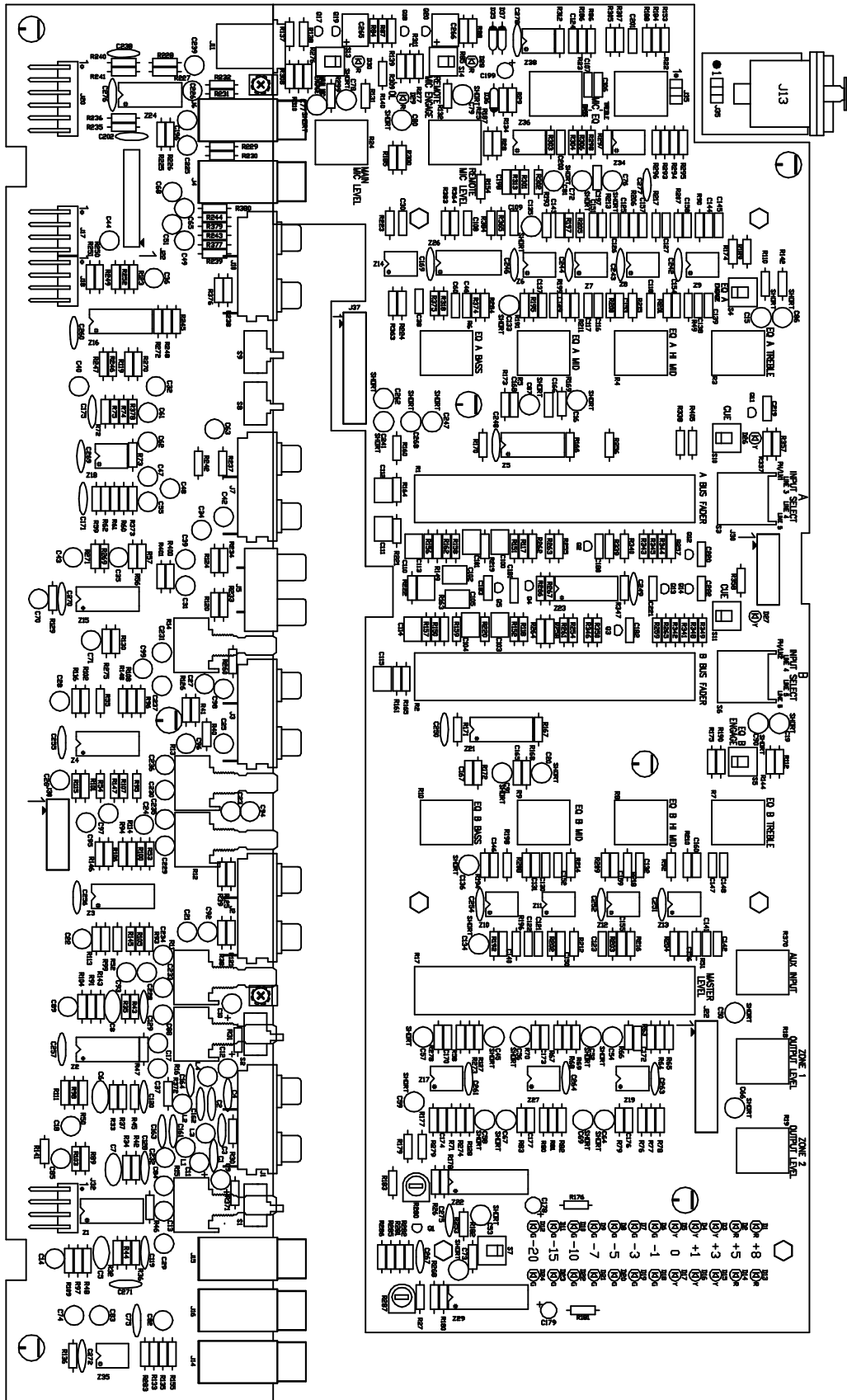
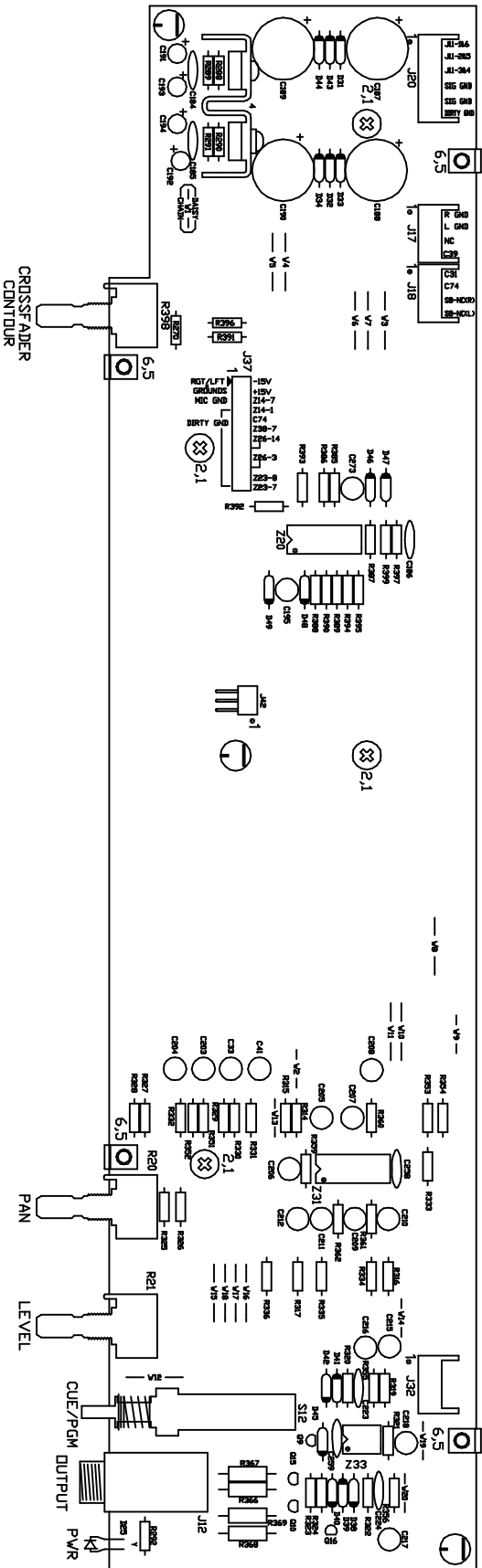
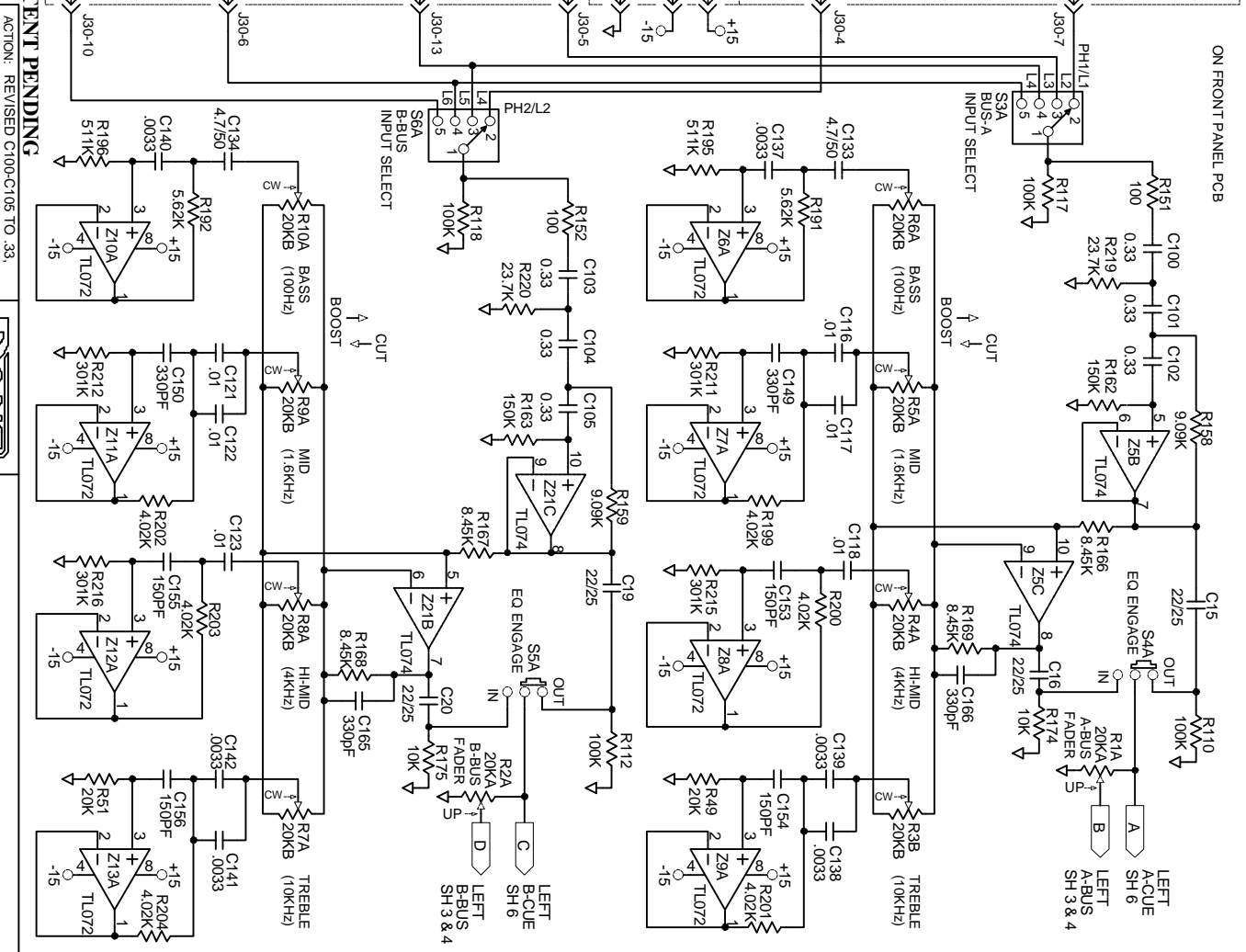
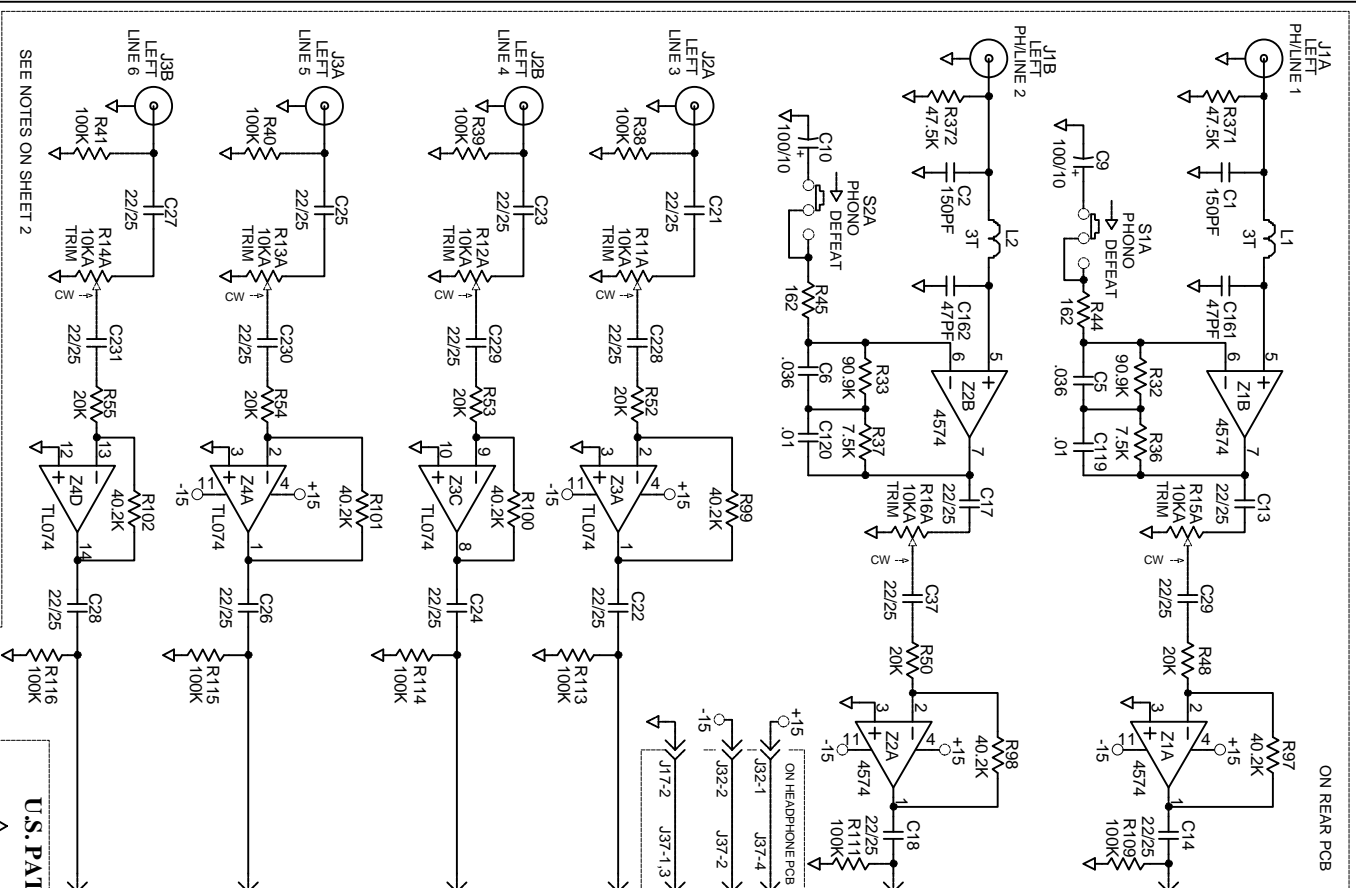


- FASTENING PARTS LIST:**
- 1 = SCREW 6-32 x 3/16" THREAD FORMING BLK ZINC
 - 2 = SCREW M3 x 6mm BLK ZINC
 - 3 = CHROME NUT AND WASHER
 - 4 = SPACERS (2 ON EACH SPLINED POT)
 - 5 = THIN SHIM (SELECTOR SWITCHES ONLY)
 - 6 = SCREW 4-40 x 1/4" ZINC
 - 7 = SCREW 6-32 x 1/4" BLK ZINC
 - 8 = SCREW 4-40 x 3/16" BLK ZINC
 - 9 = REMOVABLE CROSSFADER ASSEMBLY
 - 10 = SCREW 4-40 x 1/4" SERRATED BLK ZINC
 - 11 = 9MM FLAT WASHER (EQ HIGH/MID, MID & MAIN MIC POT)
 - 12 = 9MM NUT (MAIN MIC POT)









SEE NOTES ON SHEET 2

U.S. PATENT PENDING

RGT INS & EQ L&R AUX INS LFT OUTS R OUTS&PWR HEADPHONE MIC
 103825-2-SCH 103825-3-SCH 103825-4-SCH 103825-5-SCH 103825-6-SCH 103825-7-SCH
 H:MP22Z103825-1-SCH 20-Jan-2010

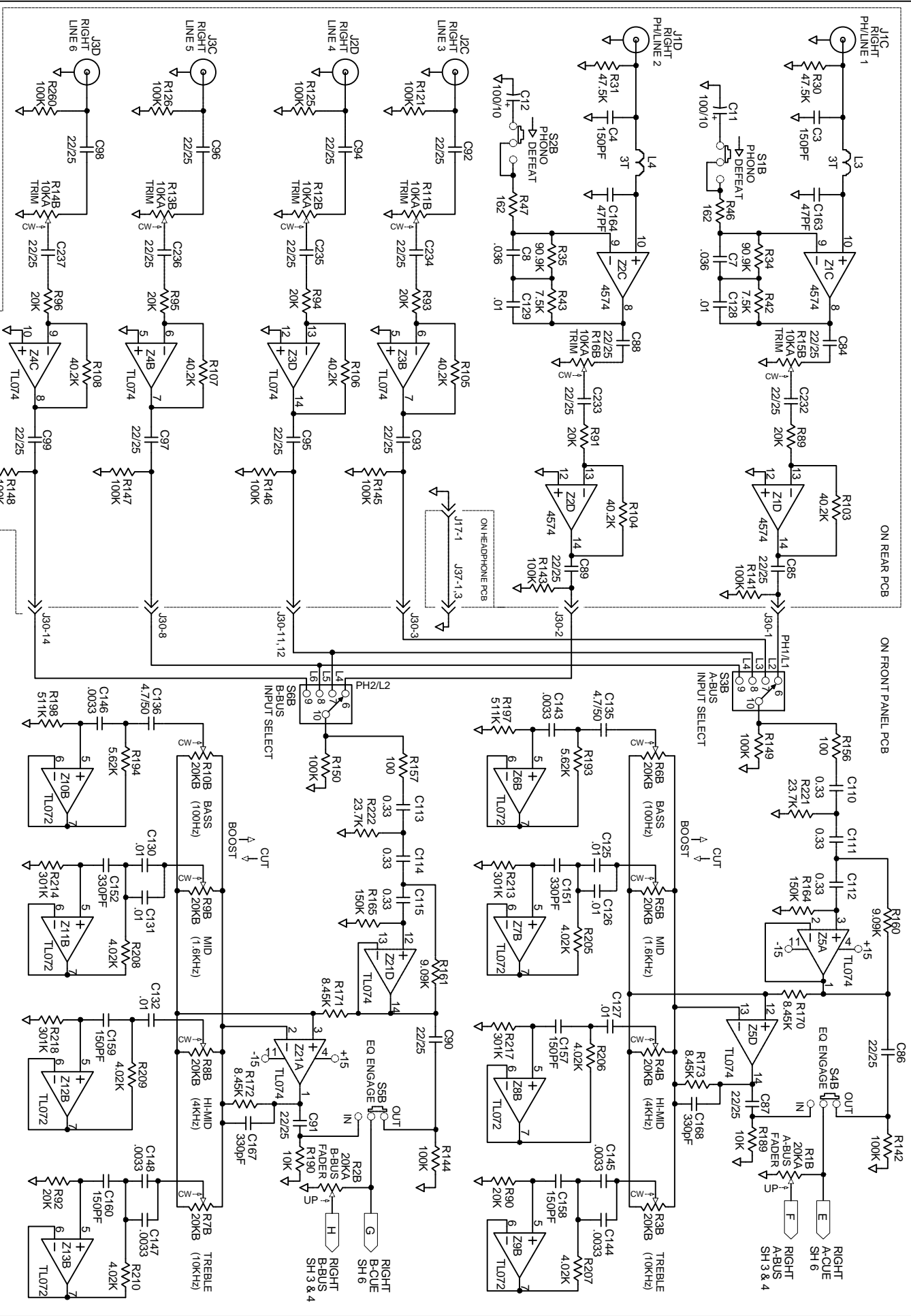
ACTION: REVISED C100-C105 TO .33.
 R158 & R159 TO 9.09K, R162 & R163 TO 150K, R219 & R220 TO 23.7K
 DERIVED FROM 1038162. FL 1-20-00
 DRAWN BY: SKH
 CHECKED BY: RGH

103825

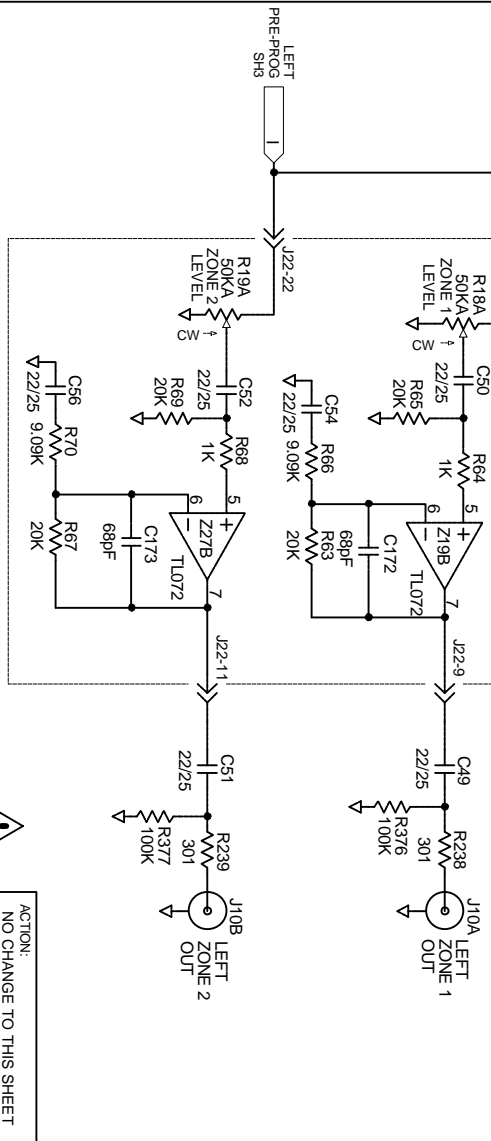
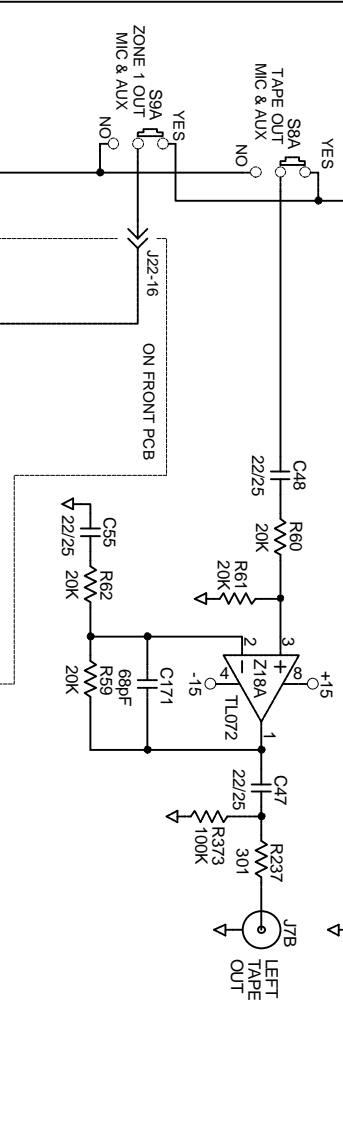
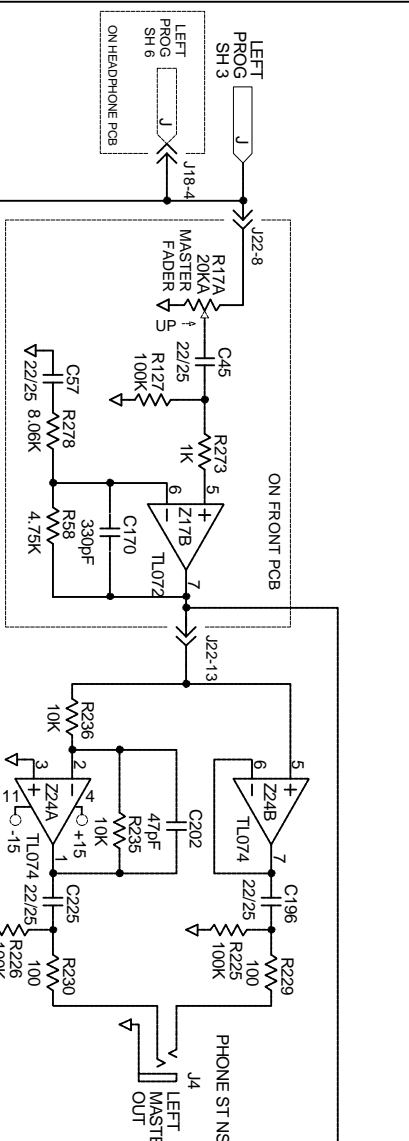
SCHEM MP 22Z LT INS & EQ

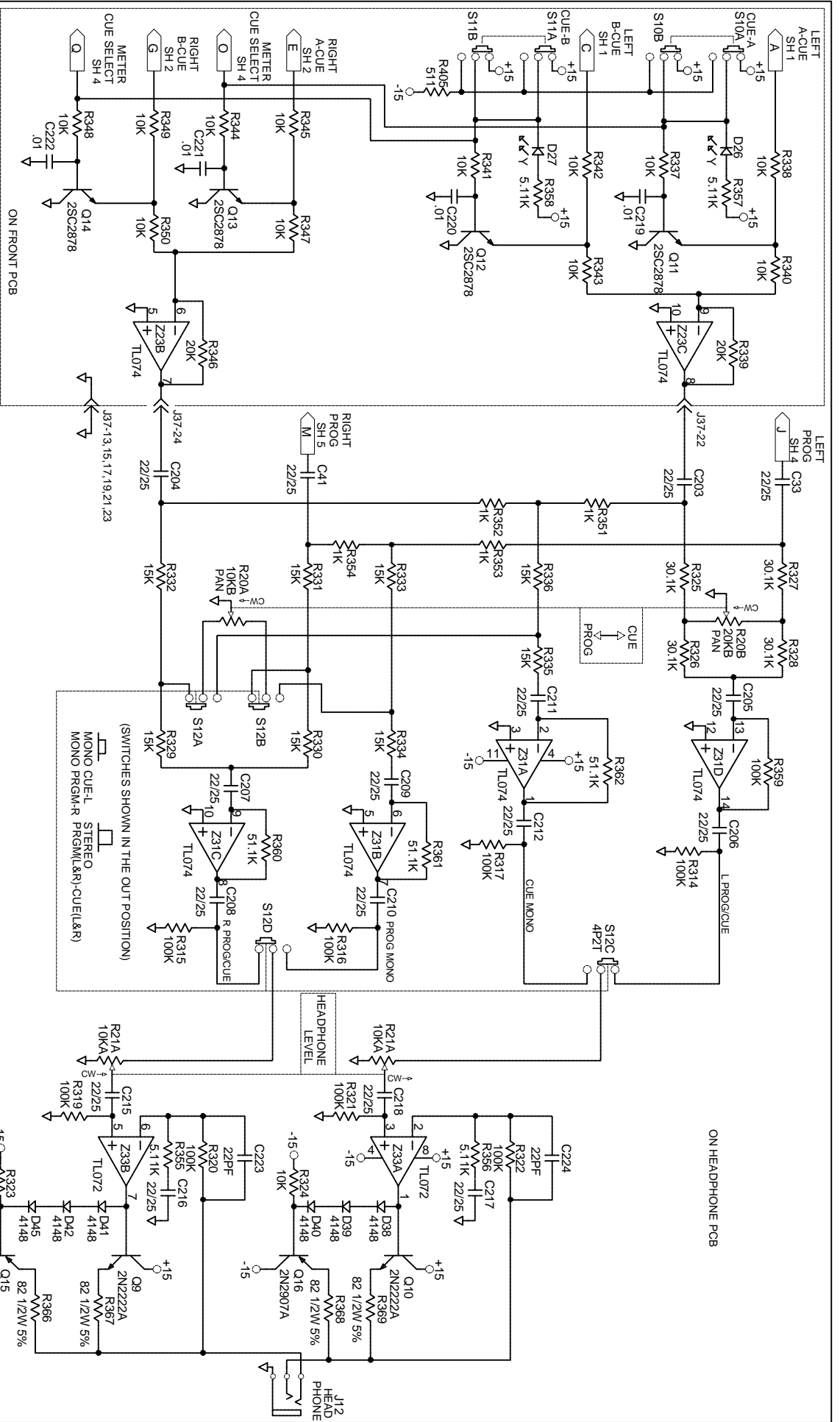
SHEET: 1 of 7

10902 47th Avenue West
 Mukilteo WA 98275-5098



ON REAR PCB

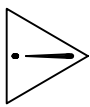




SEE NOTES ON SH 2

H:\MP22Z\103825-6-SCH

20-Jan-2000



ACTION:
NO CHANGE TO THIS SHEET
DERIVED FROM 1031629 J.1-20-00

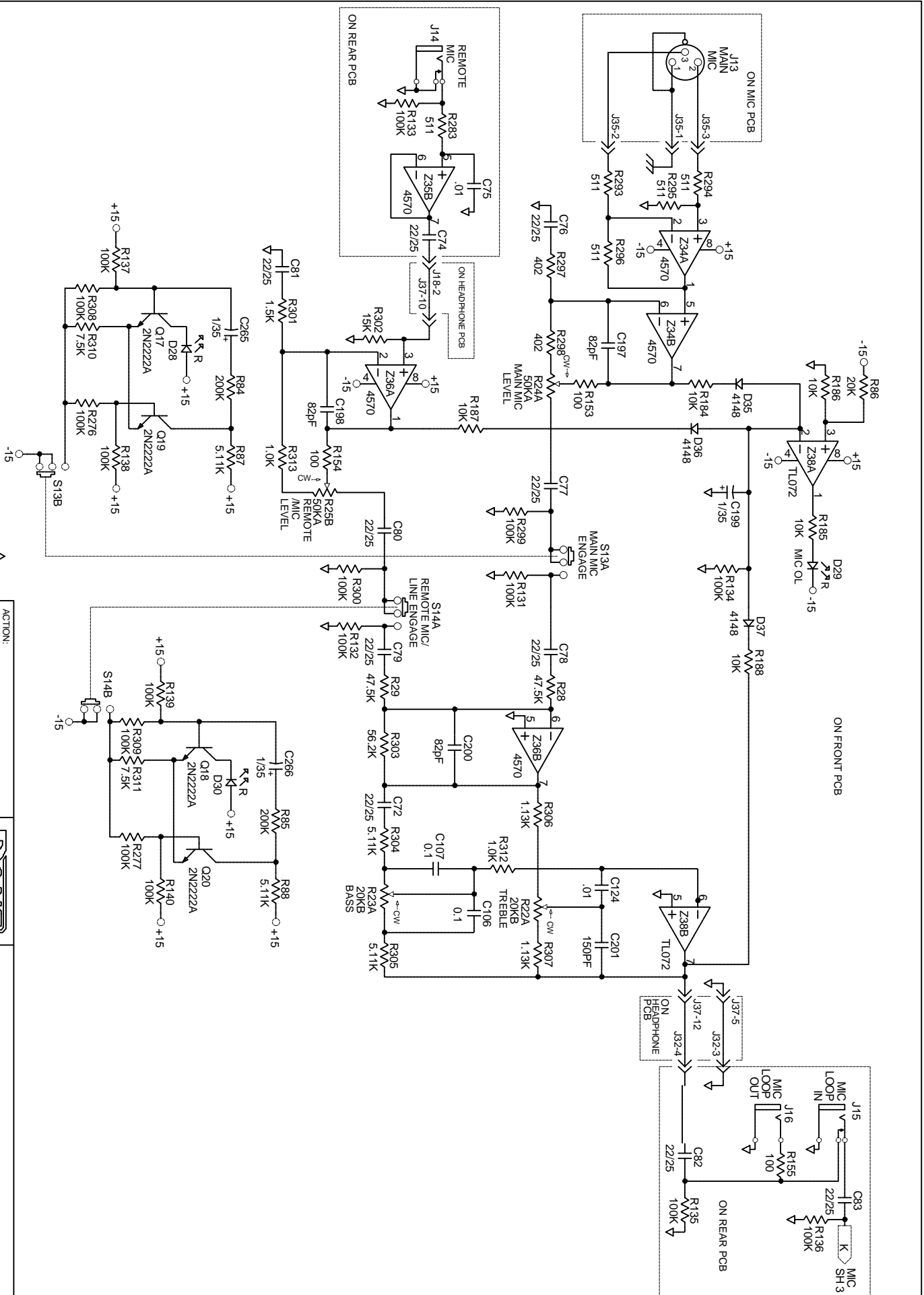
DRAWN BY: SKH
CHECKED BY: RGH



10802 47th Avenue West
Mukilteo WA 98275-5098

MP 22z HEADPHONE

SHEET: 6 of 7
103825



SEE NOTES ON SH 2
 H:\MP22Z\103824-7.SCH
 20-Jan-2000

ACTION:
 REVISED C266 & C266 TO 1/35
 WAS 103361, FJ 19JAN00

DRAWN BY: SKH
CHECKED BY: RGH

MP 22z MIC

103824 CONFIDENTIAL

10802 47th Avenue West
 Mukilteo WA 98275-5098

SHEET: 7 of 7