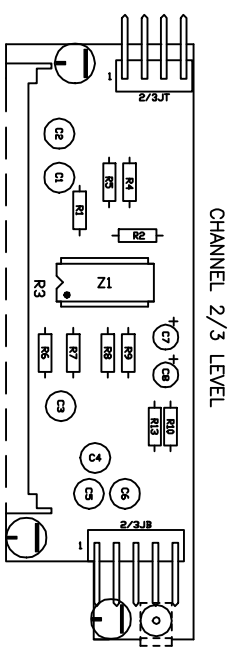
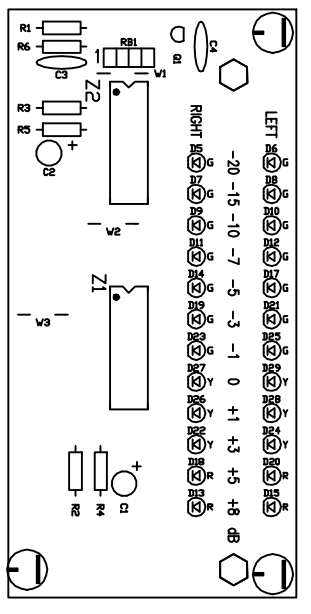


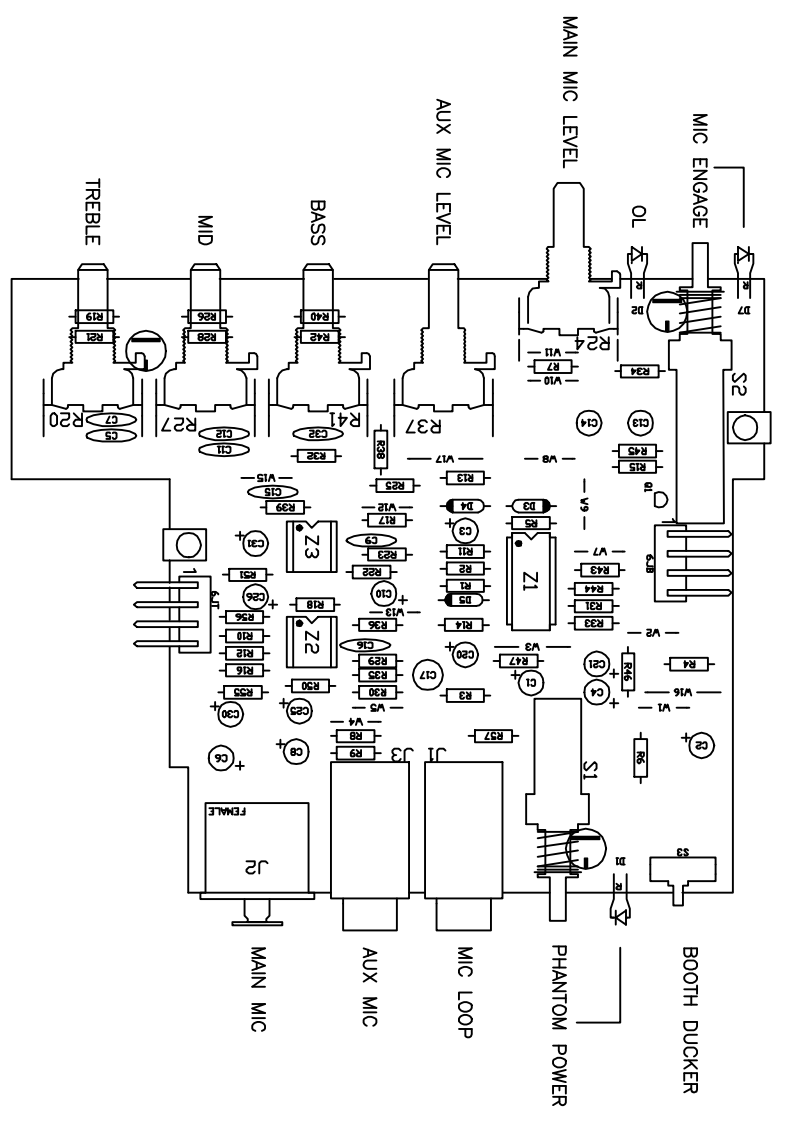
Rane Corp. (425)355-6000
 101853 DES BOTTOM MP 24x
 ACTION: MOVED C35 & 37, D7, R65,66,68,76,77,78 & S3 SKH 27MAR98



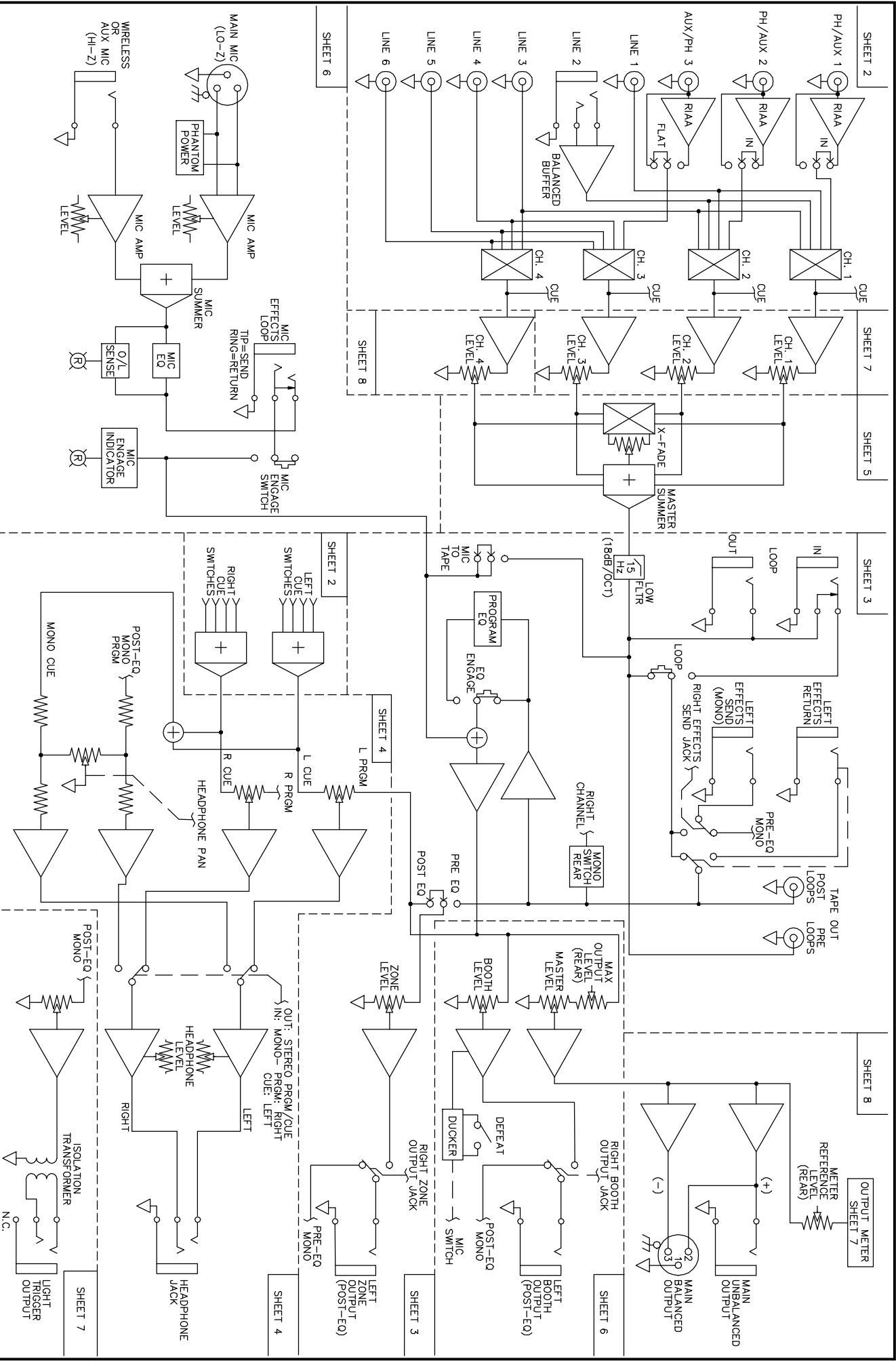
Rane Corp. (425)355-6000
 101850 DES CH 2/3 MP 24X SHEET 1 OF 2
 ACTION: NO CHANGE TO PART, NEW DDC# SKH 25MAR98



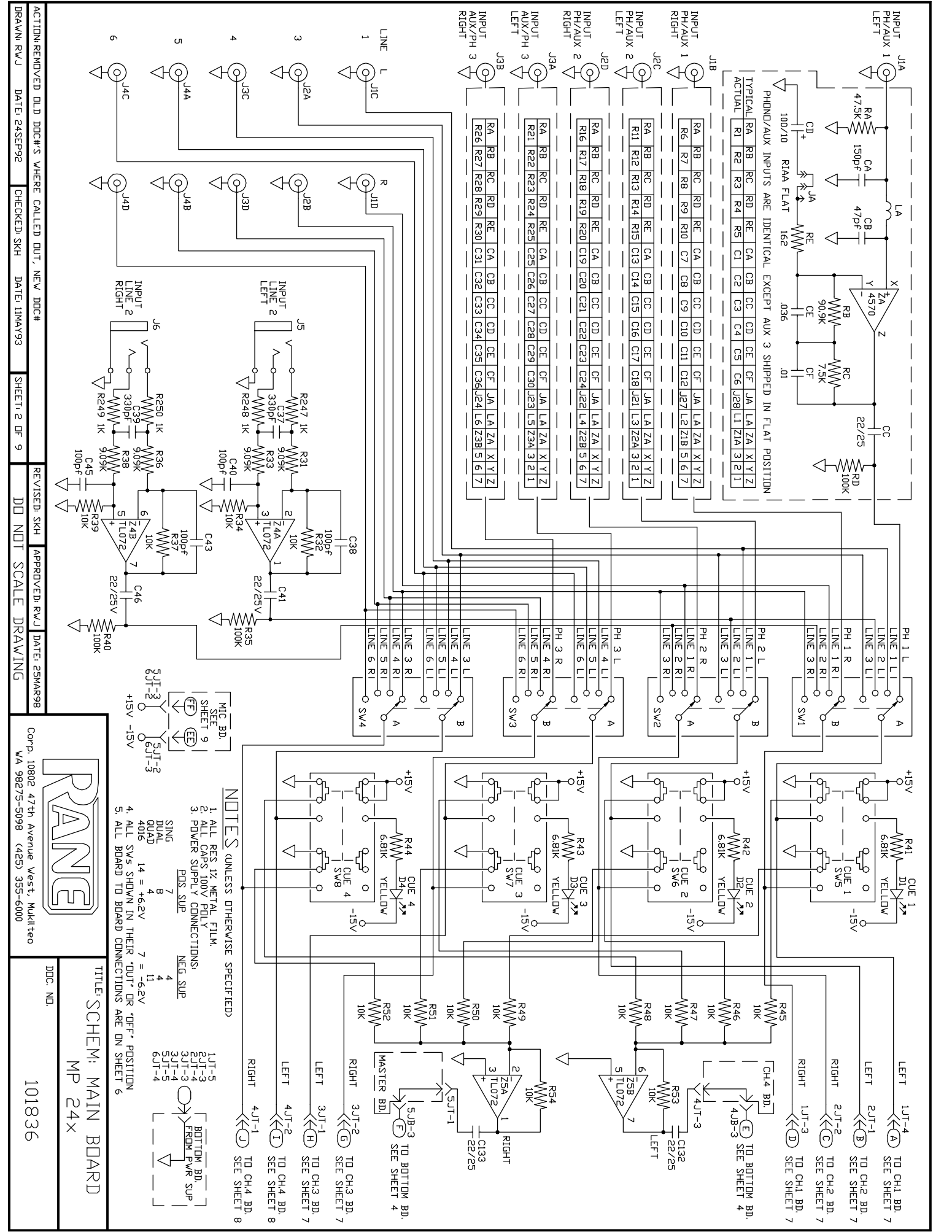
Rane Corp. (425)355-6000
 101841 DES METER MP 24X SHEET 1 OF 2
 ACTION: NO CHANGE TO PART, NEW DDC# SKH 25MAR98



Rane Corp. (425)355-6000
 101847 DES MIC MP 24X SHEET 1 OF 2
 ACTION: NO CHANGE TO PART, NEW DDC# SKH 25MAR98



ACTION: NO CHANGE TO DDC, NEW DDC# DRAWN: RVJ DATE: 05MDV92 CHECKED: SKH DATE: 05MDV92 SHEET: 1 OF 9	REVISED: SKH APPROVED: RVJ DATE: 25MAR98 DO NOT SCALE DRAWING
Corp. 10802 47th Avenue West, Mukilteo WA 98275-5098 (425) 355-6000	
TITLE: SCHEMATIC GUIDE MP 24X	DDC. NO. 101836



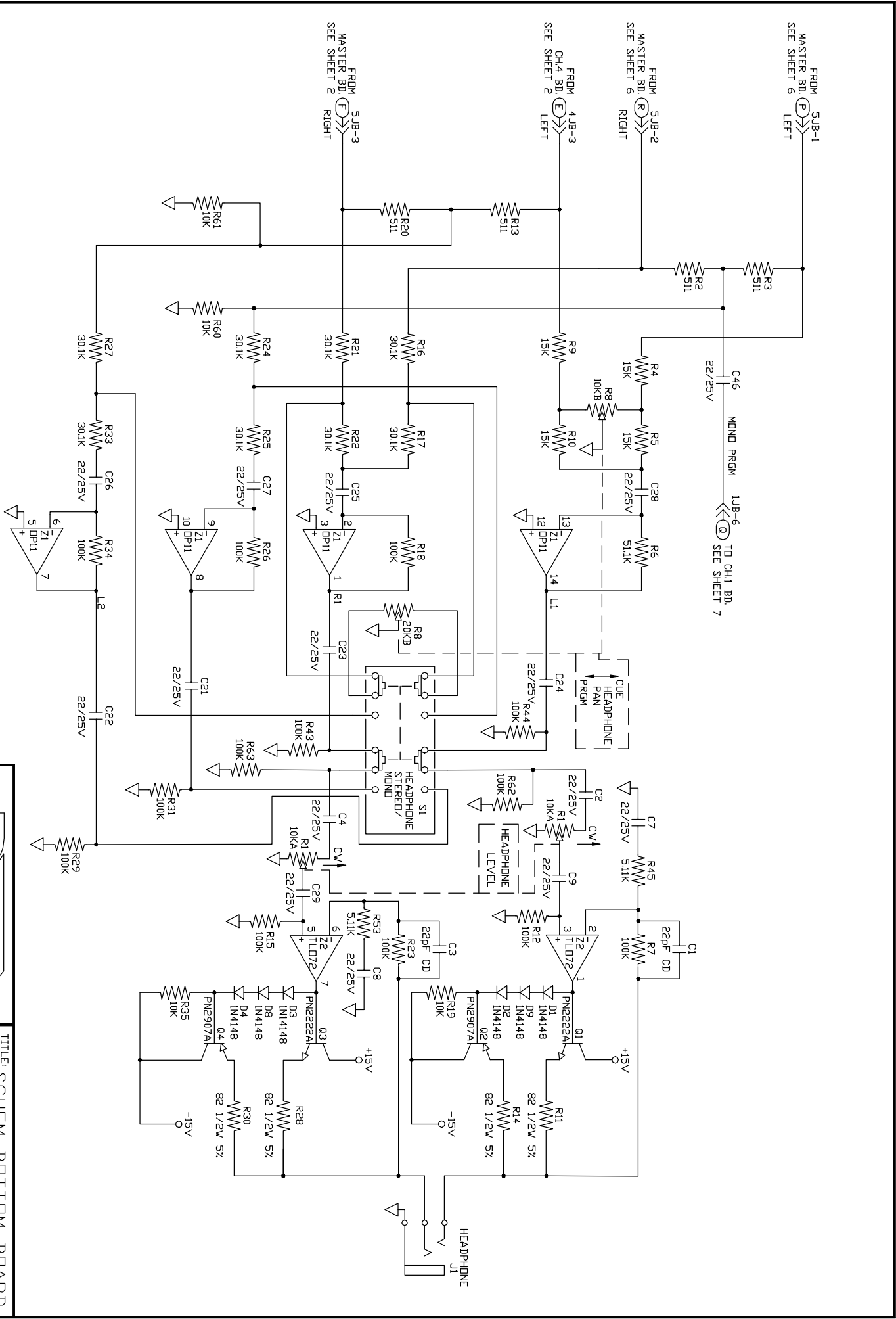
PHONO/AUX INPUTS ARE IDENTICAL EXCEPT AUX 3 SHIPPED IN FLAT POSITION

TYPICAL	RA	RB	RC	RD	RE	CA	CB	CC	CD	CE	CF	JA	LA	ZA	X	Y	Z
ACTUAL	R1	R2	R3	R4	R5	C1	C2	C3	C4	C5	C6	J28	L1	Z1A	3	2	1

- NOTES (UNLESS OTHERWISE SPECIFIED)**
- ALL RES. 1% METAL FILM.
 - ALL CAPS 100V POLY.
 - POWER SUPPLY CONNECTIONS:
 - POS. SUPP. 7
 - NEG. SUPP. 4
 - ALL SW'S SHOWN IN THEIR "OUT" OR "OFF" POSITION
 - ALL BOARD TO BOARD CONNECTIONS ARE ON SHEET 6
- 1-T-5 TO CH.1 BD. 7
 2-T-3 TO CH.2 BD. 7
 3-T-4 TO CH.2 BD. 7
 4-T-3 TO CH.1 BD. 7
 5-T-4 TO CH.1 BD. 7
 6-T-4 TO CH.1 BD. 7
 7-T-3 TO CH.2 BD. 7
 8-T-4 TO CH.2 BD. 7



TITLE: SCHEM. MAIN BOARD
MP 24X



FRDM 5JB-1
MASTER BD
SEE SHEET 6
LEFT

FRDM 5JB-2
MASTER BD
SEE SHEET 6
RIGHT

FRDM 4JB-3
CH4 BD
SEE SHEET 2
LEFT

FRDM 5JB-3
MASTER BD
SEE SHEET 2
RIGHT

C46 MND PRGM LJB-6 TO CH1 BD. SEE SHEET 7

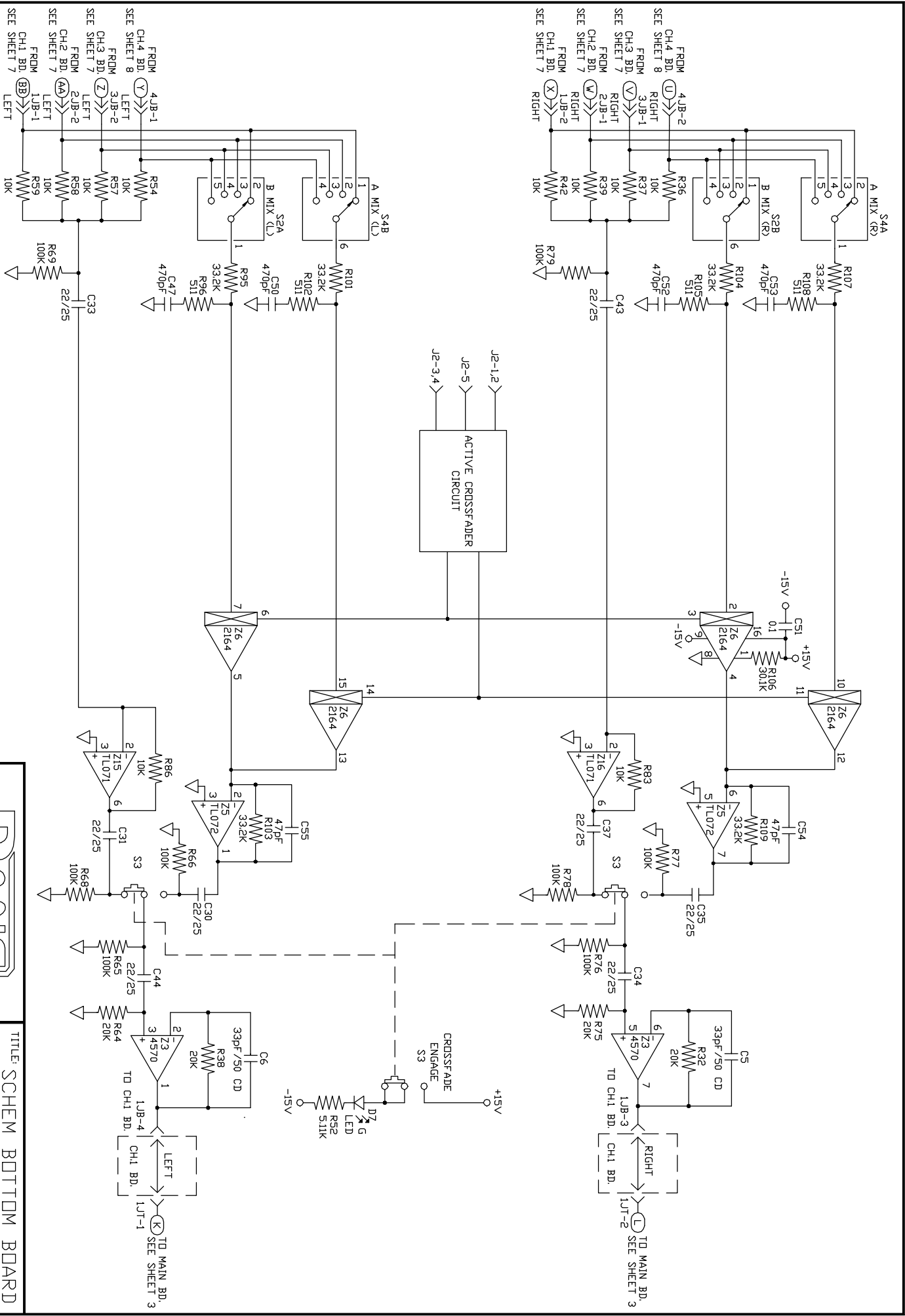
CUE HEADPHONE PAN PRGM

HEADPHONE STEREO MND

HEADPHONE LEVEL

HEADPHONE J1

ACTION: DELETED OLD DOC#S WHERE CALLED OUT, NEW DOC#		REVISED: SKH		APPROVED: RVJ		DATE: 25MAR98	
DRAWN: RVJ		DATE: 25SEP92		CHECKED: SKH		DATE: 14SEP92	
SHEET: 4 OF 9		DD NOT SCALE DRAWING					
TITLE: SCHEM BOTTOM BOARD		MP 24X		DDC. NO. 101836			
Corp. 10802 47th Avenue West, Mukilteo WA 98275-5098 (425) 355-6000							



ACTION: R106 WAS SLIK, DELETED. OLD DDC#S WHERE CALLED OUT, NEW DDC#

DRAWN: RWJ DATE: 11AUG92 CHECKED: SKH DATE: 02DEC93 SHEET: 5 OF 9

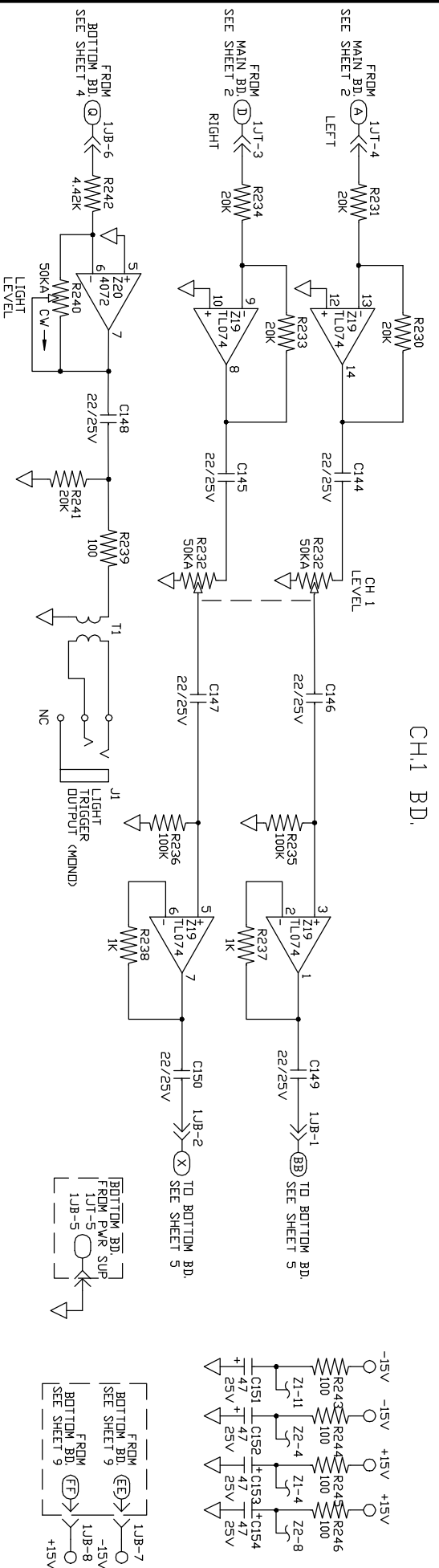
REVISED: SKH APPROVED: RWJ DATE: 25MAR98

DD NOT SCALE DRAWING

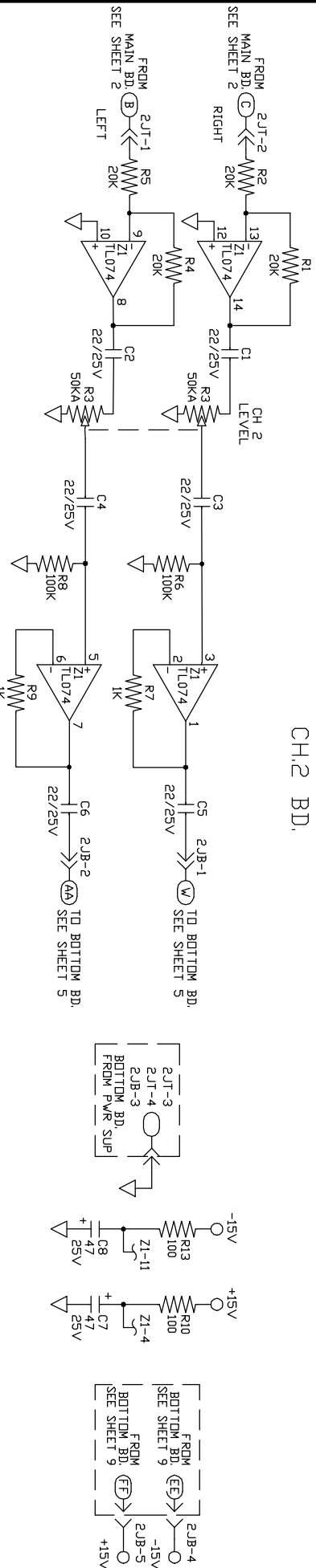


TITLE: SCHEM BOTTOM BOARD
MP 24X
101836

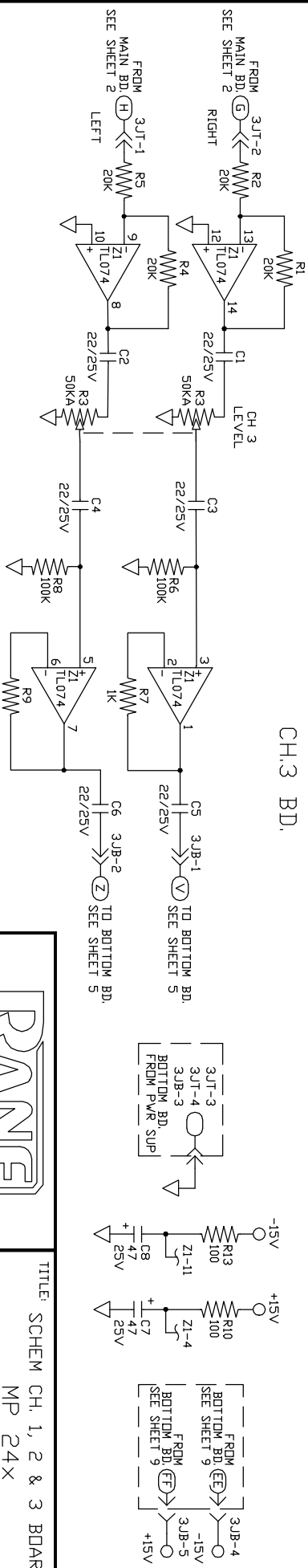
DDC. NO.



CH.1 BD.



CH.2 BD.



CH.3 BD.

ACTION: DELETED OLD DOC#S WHERE CALLED OUT, NEW DOC#

DATE: 25SEP92

CHECKED: SKH

DATE: 29AUG93

SHEET: 7 OF 9

REVISED: SKH

APPROVED: RWJ

DATE: 25MAR98

DD NOT SCALE DRAWING

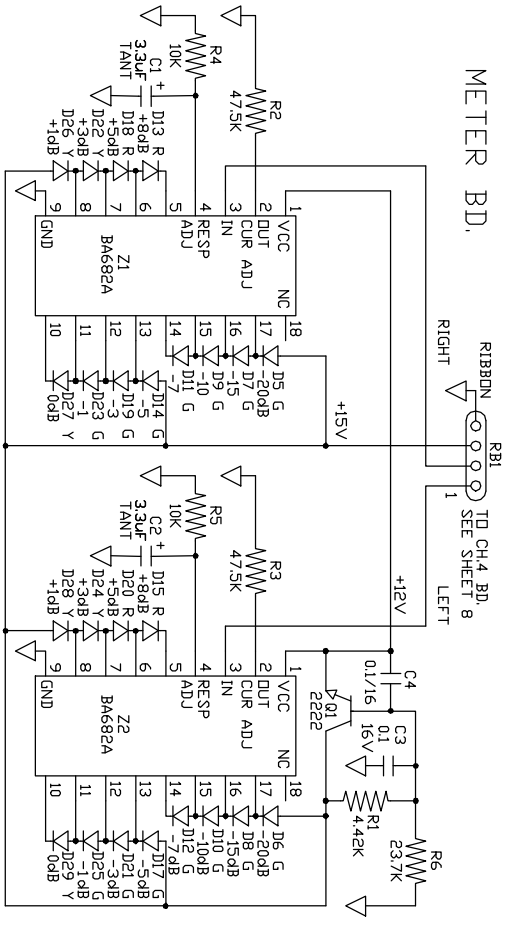
Comp. 10802 47th Avenue West, Mukilteo
WA 98275-5098 (425) 355-6000

DDC. NO.

TITLE: SCHEM CH. 1, 2 & 3 BOARDS

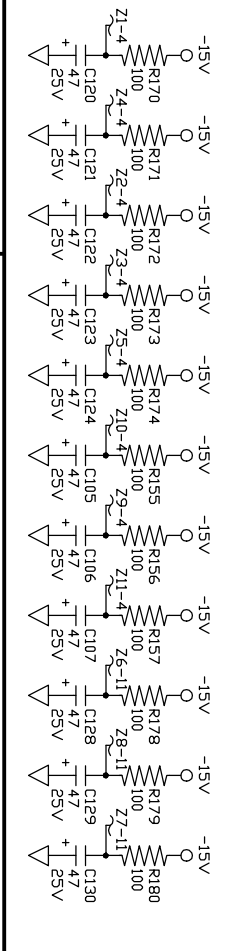
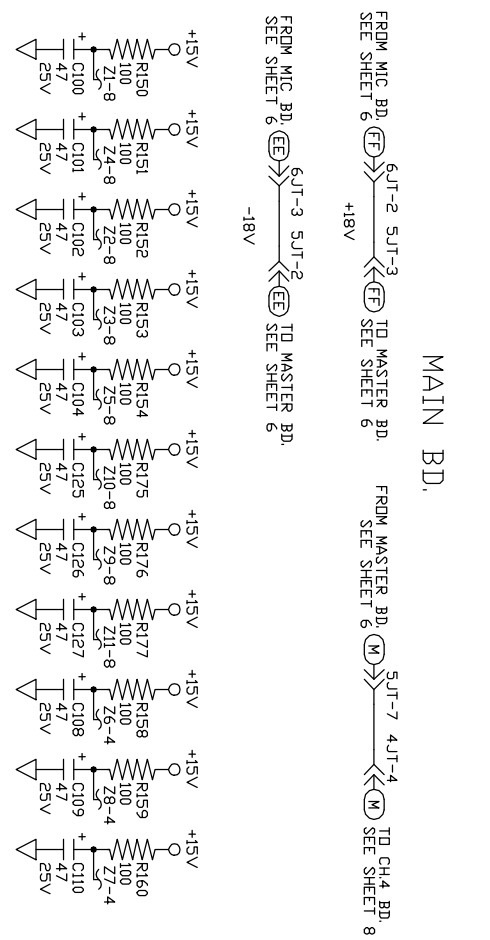
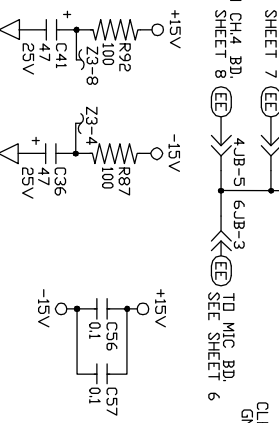
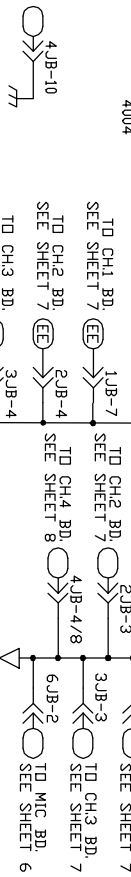
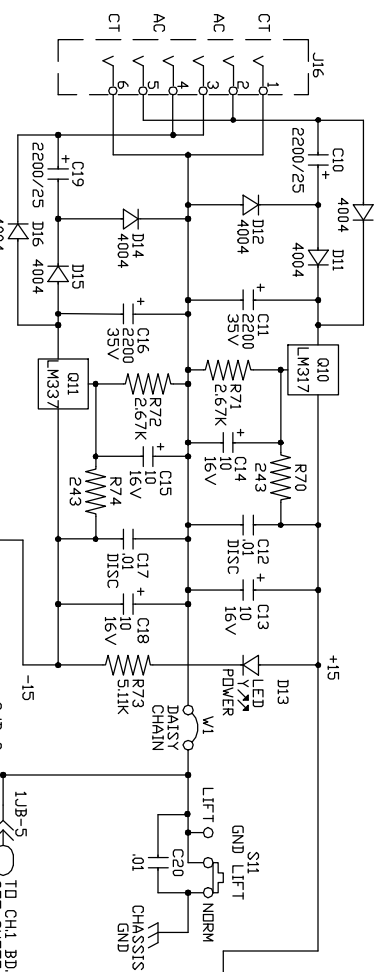
MP 24X

101836



POWER SUPPLY

BOTTOM BD.



ACTION: DELETED OLD DOC#S WHERE CALLED OUT, NEW DOC#
 DRAWN: RWJ DATE: 05OCT92 CHECKED: SKH DATE: 11MAY93 SHEET: 9 OF 9 REVISED: SKH APPROVED: RWJ DATE: 25MAR98

DD NOT SCALE DRAWING

TITLE:
SCHEM PWR SUP, METER & MISC.
MP 24X

DDC. NO.
101836

Corp. 10802 47th Avenue West, Mukilteo
 WA 98275-5098 (425) 355-6000