

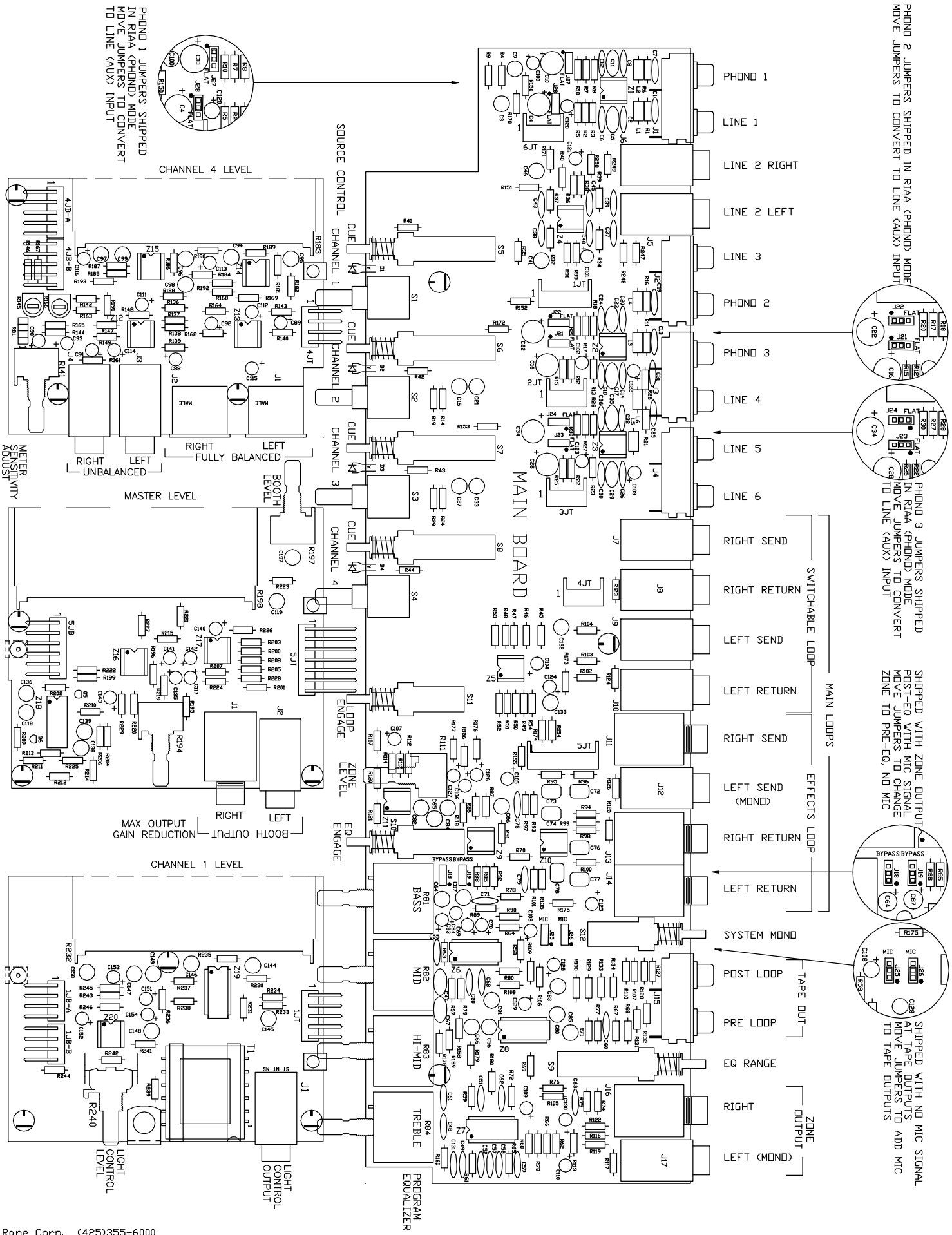
ALL JUMPERS SHOWN IN SHIPPED POSITION

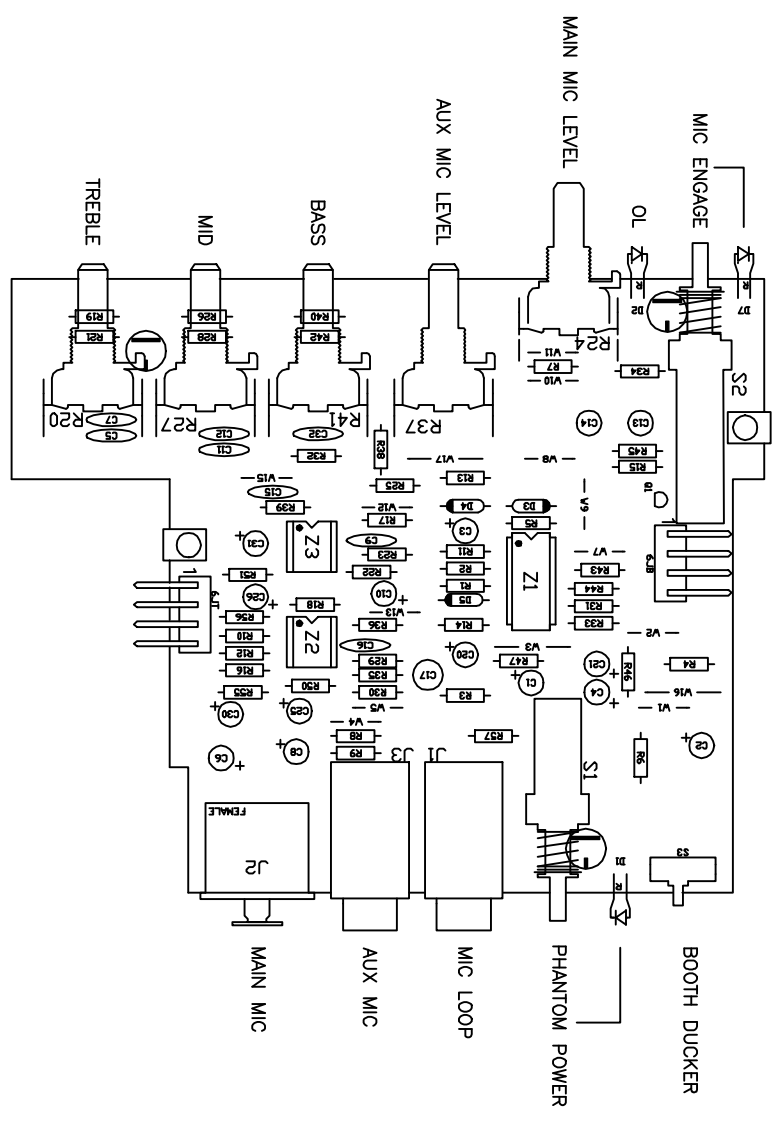
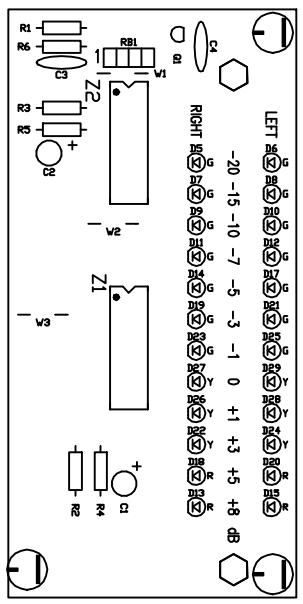
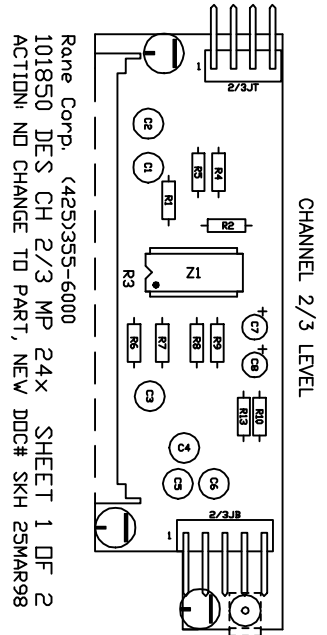
PHONO 2 JUMPERS SHIPPED IN R1AA (PHONO) MODE
MOVE JUMPERS TO CONVERT TO LINE (AUX) INPUT

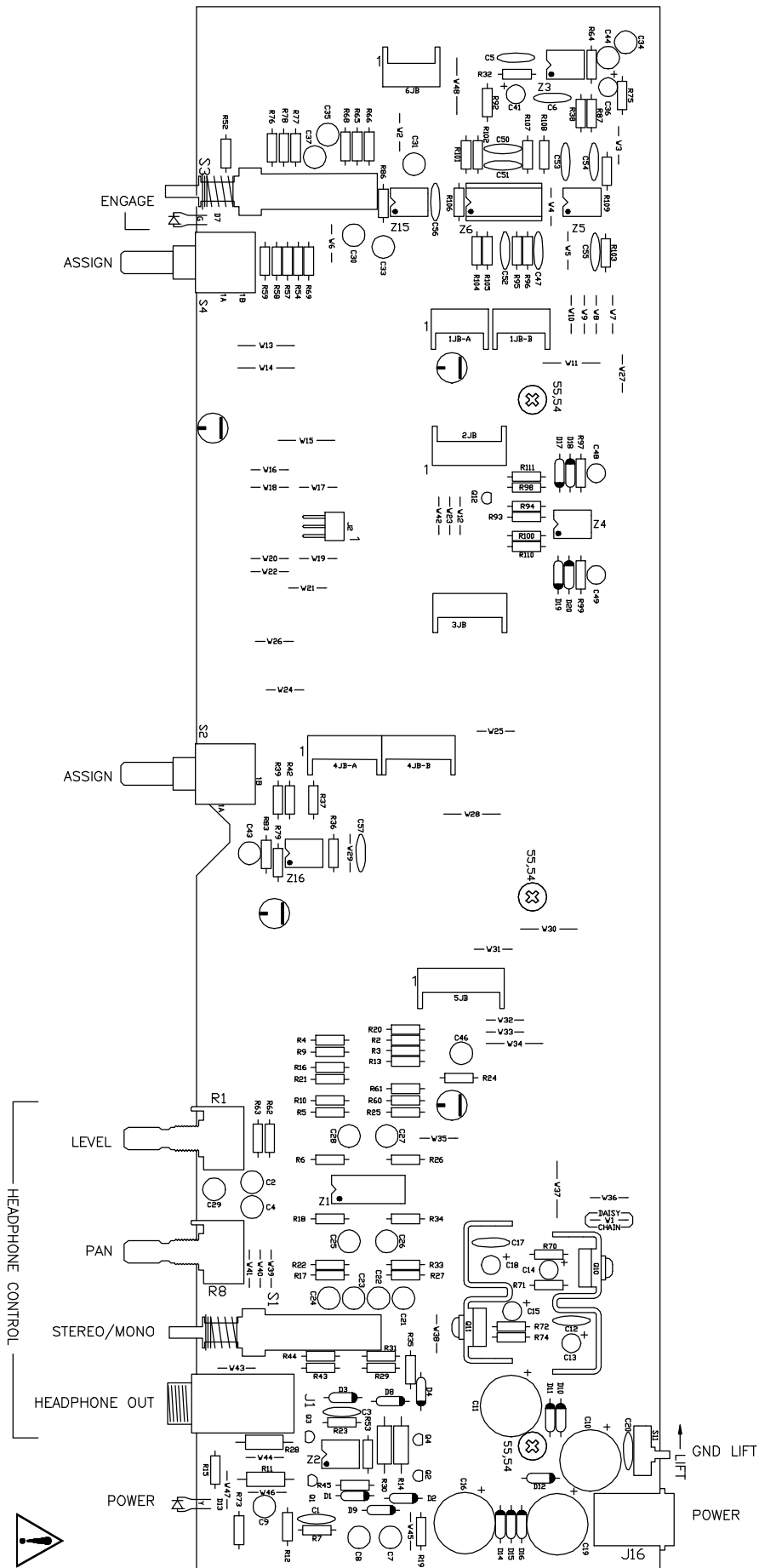
PHONO 3 JUMPERS SHIPPED IN R1AA (PHONO) MODE
MOVE JUMPERS TO CONVERT TO LINE (AUX) INPUT

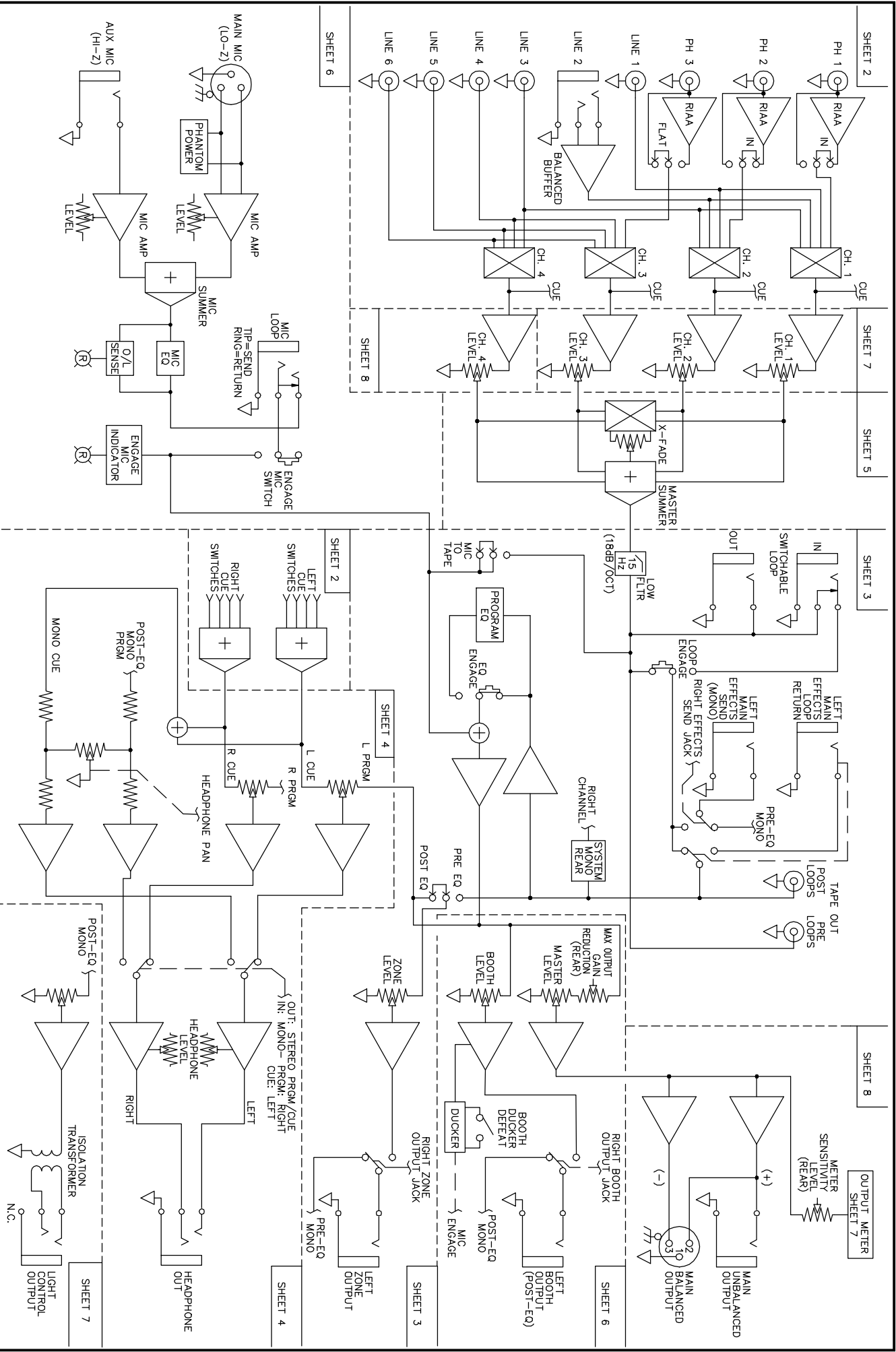
SHIPPED WITH ZONE OUTPUT
PRE-EQ WITH MIC SIGNAL
MOVE JUMPERS TO CHANGE
ZONE TO PRE-EQ, ND MIC

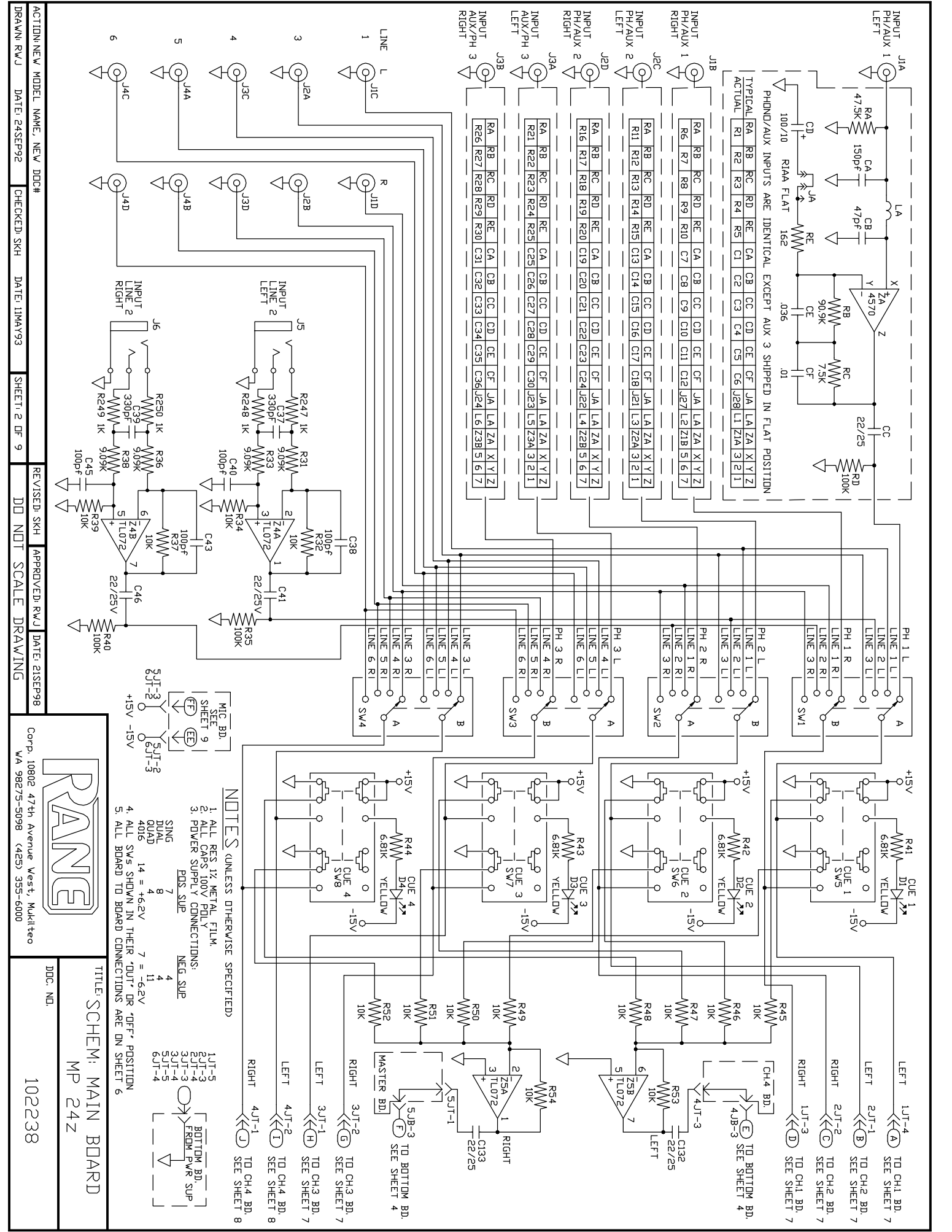
SHIPPED WITH ND MIC SIGNAL
AT TAPE OUTPUTS TO ADD MIC
MOVE JUMPERS TO ADD MIC
TO TAPE OUTPUTS











PHONO/AUX INPUTS ARE IDENTICAL EXCEPT AUX 3 SHIPPED IN FLAT POSITION

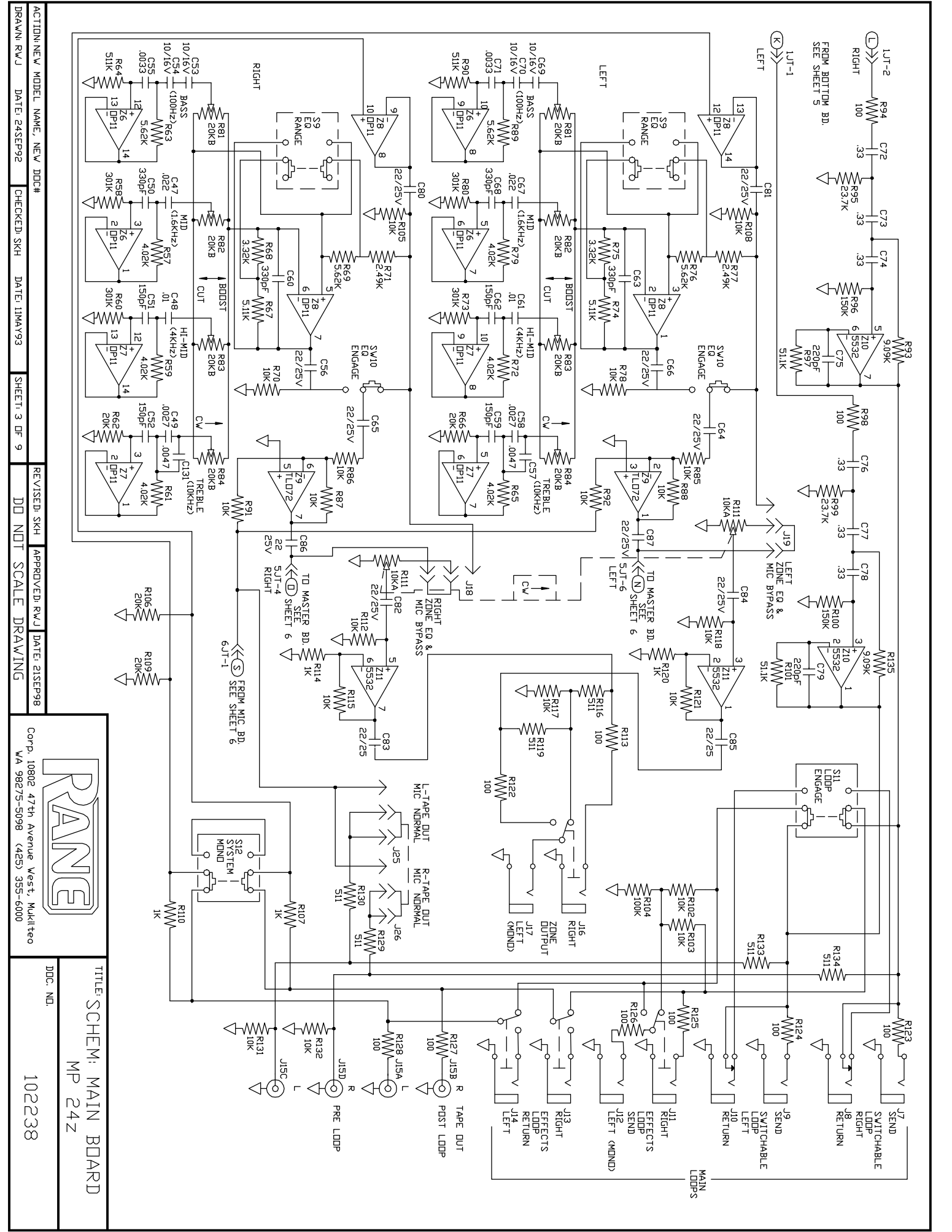
TYPICAL	RA	RB	RC	RD	RE	CA	CB	CC	CD	CE	CF	JA	LA	ZA	X	Y	Z
ACTUAL	R1	R2	R3	R4	R5	C1	C2	C3	C4	C5	C6	J28	L1	Z1A	3	2	1

NOTES (UNLESS OTHERWISE SPECIFIED)

- ALL RES 1% METAL FILM.
- ALL CAPS 100V POLY.
- POWER SUPPLY CONNECTIONS: POS. SUP. NEG. SUP.
- ALL SW'S SHOWN IN THEIR 'OUT' OR 'OFF' POSITION
- ALL BOARD TO BOARD CONNECTIONS ARE ON SHEET 6



Corp. 10802 47th Avenue West, Mukilteo
 WA 98275-5098 (425) 355-6000



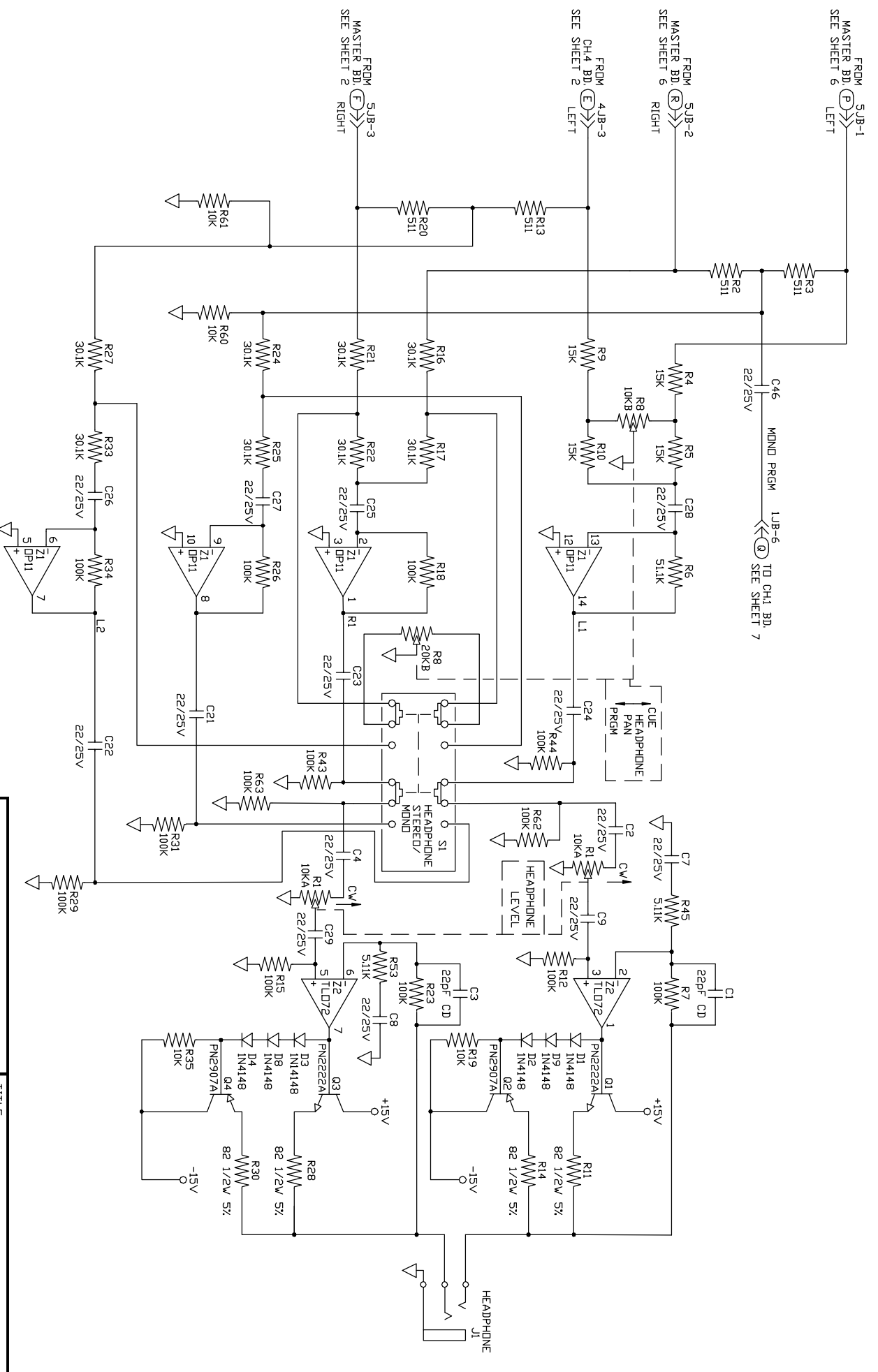
ACTION: NEW MODEL NAME: NEW DDC#
 DRAWN: RWJ DATE: 24SEP92 CHECKED: SKH DATE: 1MAY93 SHEET: 3 OF 9 REVISED: SKH APPROVED: RWJ DATE: 21SEP98
 DDC: ND
 TITLE: SCHEM: MAIN BOARD
 MP 24Z
 102238
 Corp. 10802 47th Avenue West, Mukilteo
 WA 98275-5098 (425) 355-6000



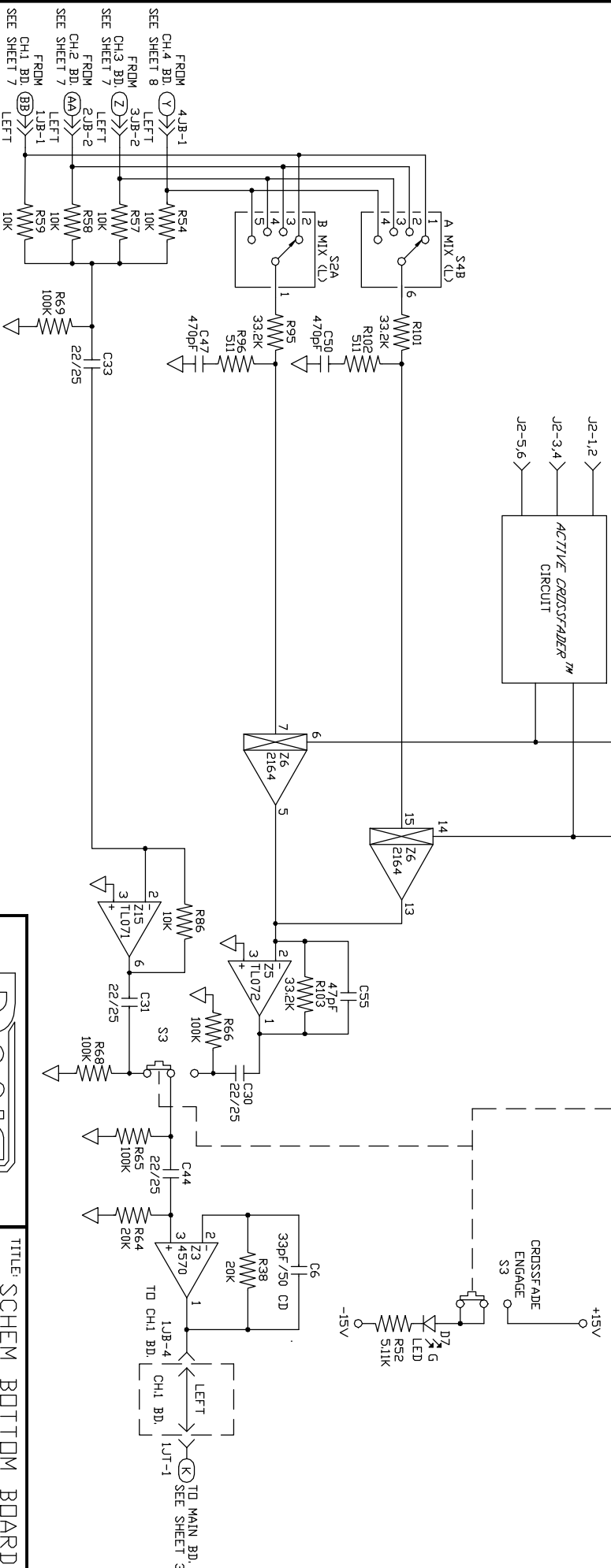
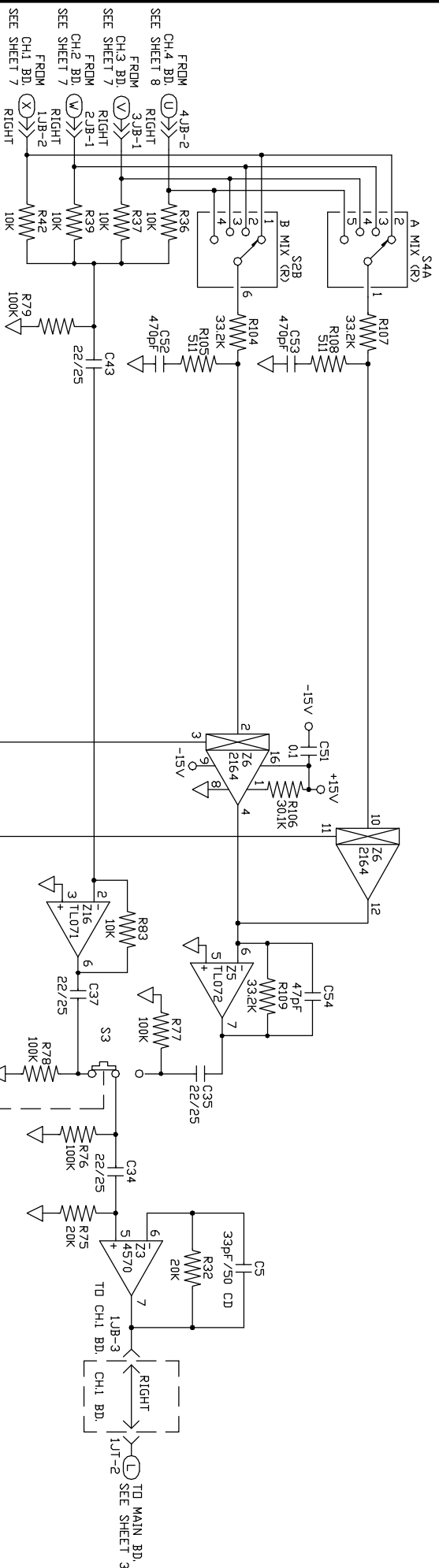
DD NOT SCALE DRAWING

FROM BOTTOM BD.
 SEE SHEET 5

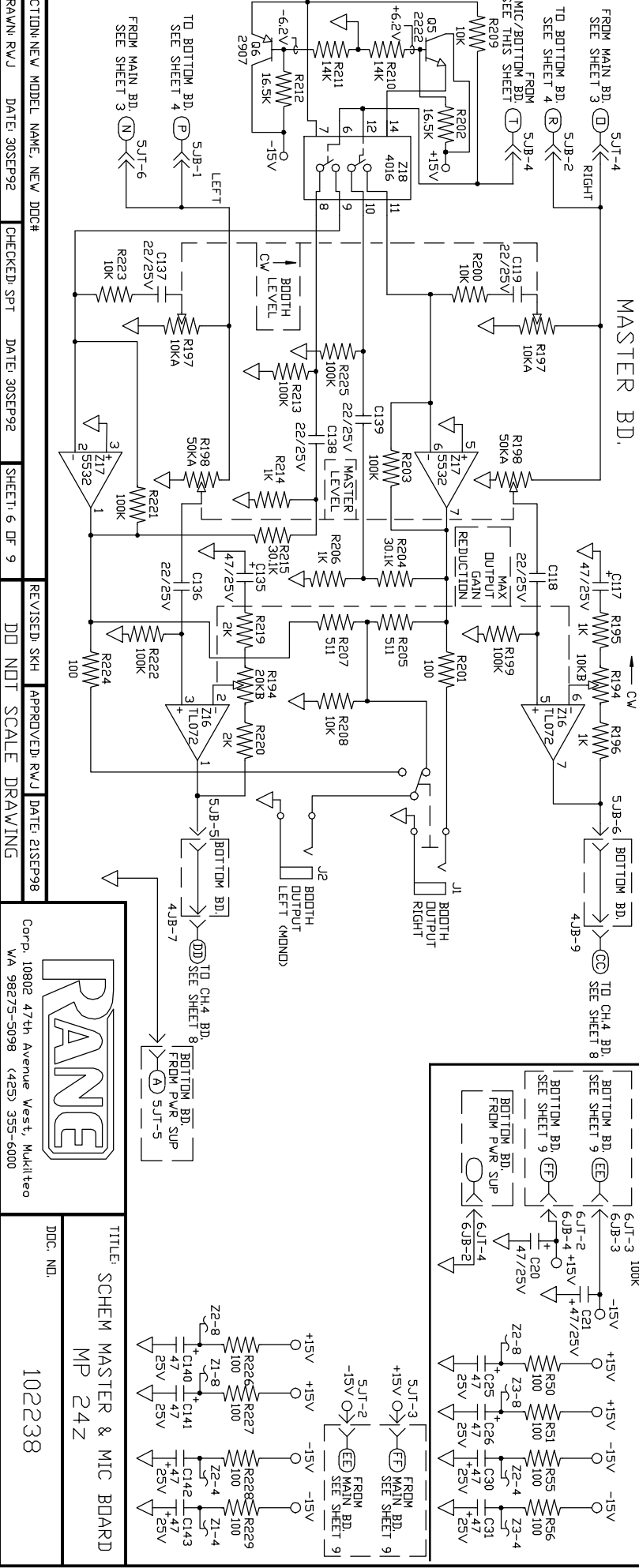
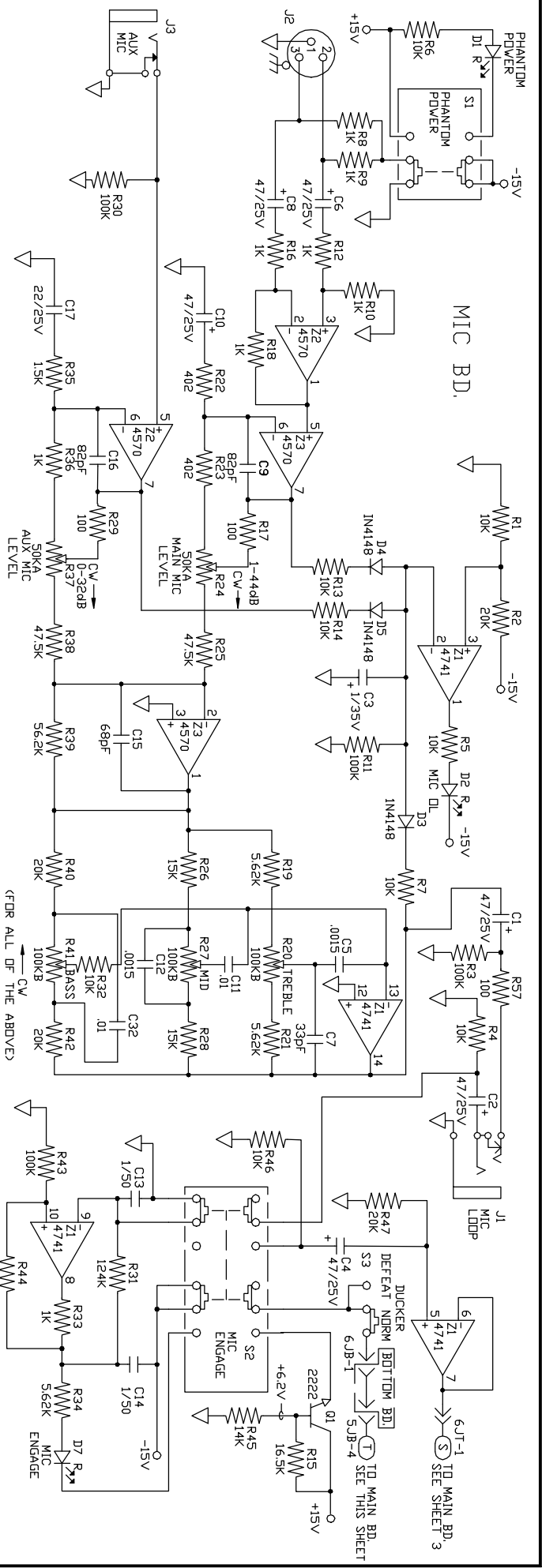
FROM MIC. BD.
 SEE SHEET 6



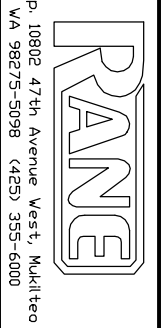
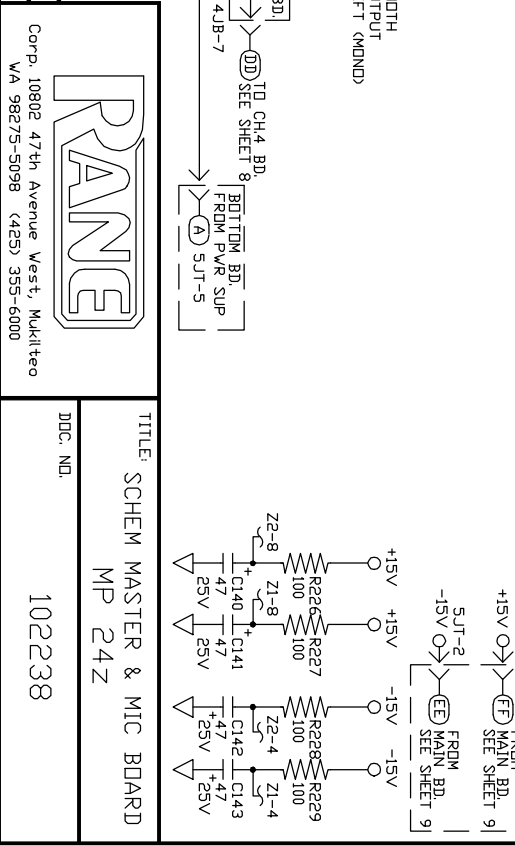
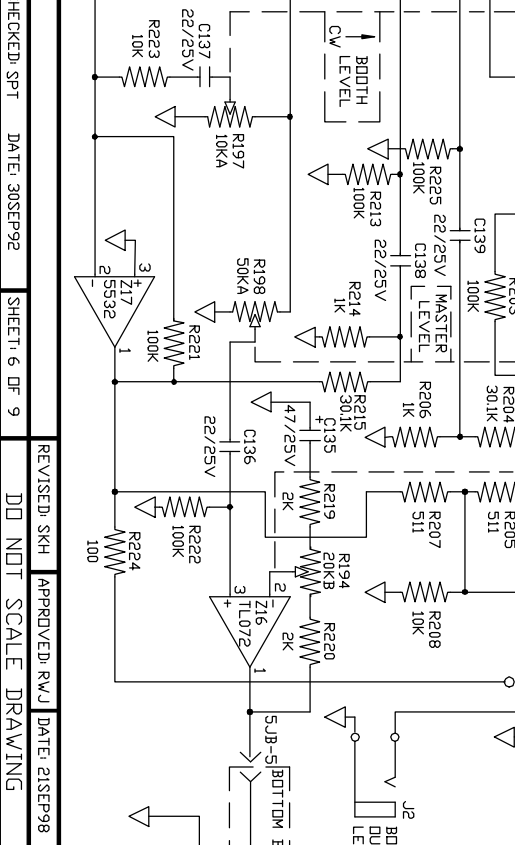
ACTION: NEW MODEL NAME: NEW DDC#
 DRAWN: RWJ DATE: 25SEP92 CHECKED: SKH DATE: 14SEP92 SHEET: 4 OF 9 REVISED: SKH APPROVED: RWJ DATE: 21SEP98
 TITLE: SCHEM BOTTOM BOARD
 MP 24Z
 102238
 DDC: ND
 Corp. 10802 47th Avenue West, Mukilteo
 WA 98275-5098 (425) 355-6000



ACTION: NEW MODEL NAME: NEW DDC#
 DRAWN: RWJ DATE: 11AUG92 CHECKED: SKH DATE: 02DEC93 SHEET: 5 OF 9 REVISED: SKH APPROVED: RWJ DATE: 21SEP98
 DDC: ND
 TITLE: SCHEM BOTTOM BOARD
 MP 24Z
 102238
 Corp. 10802 47th Avenue West, Mukilteo
 WA 98275-5098 (425) 355-6000
 RANE
 DDC: ND
 TITLE: SCHEM BOTTOM BOARD
 MP 24Z
 102238

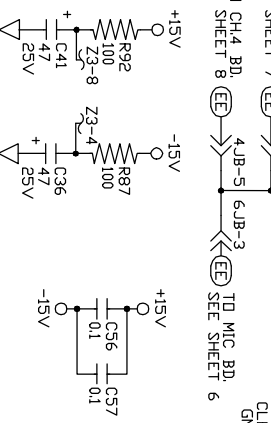
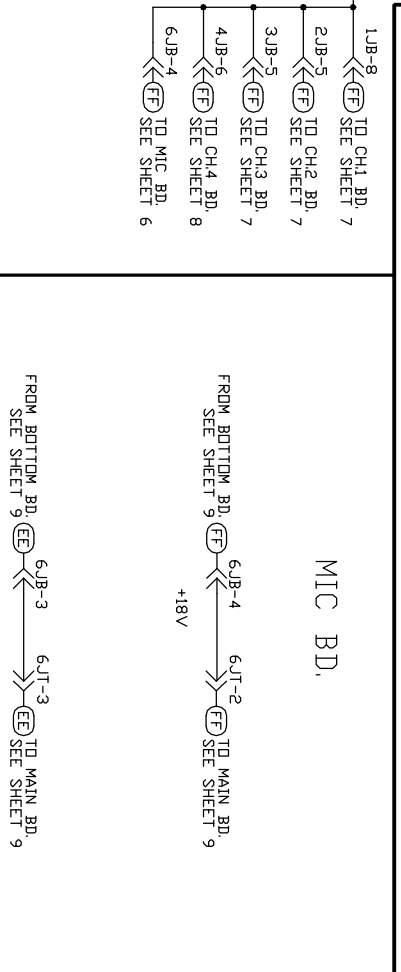
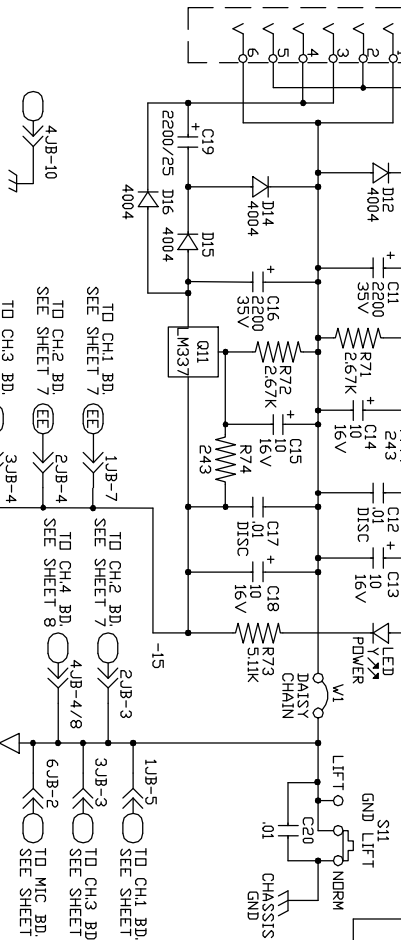
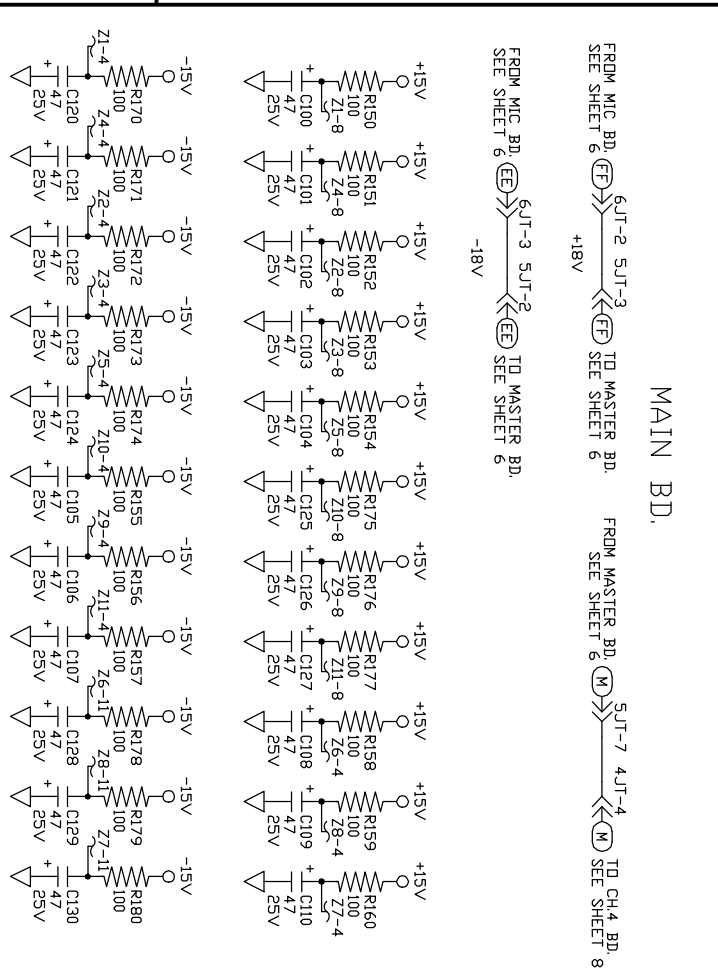
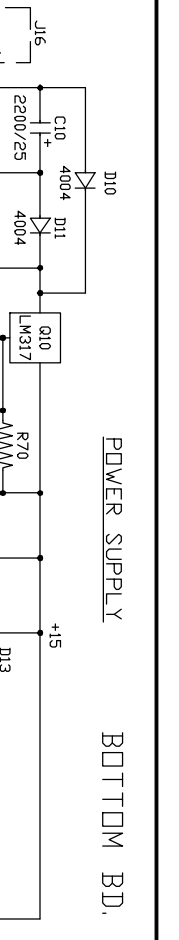
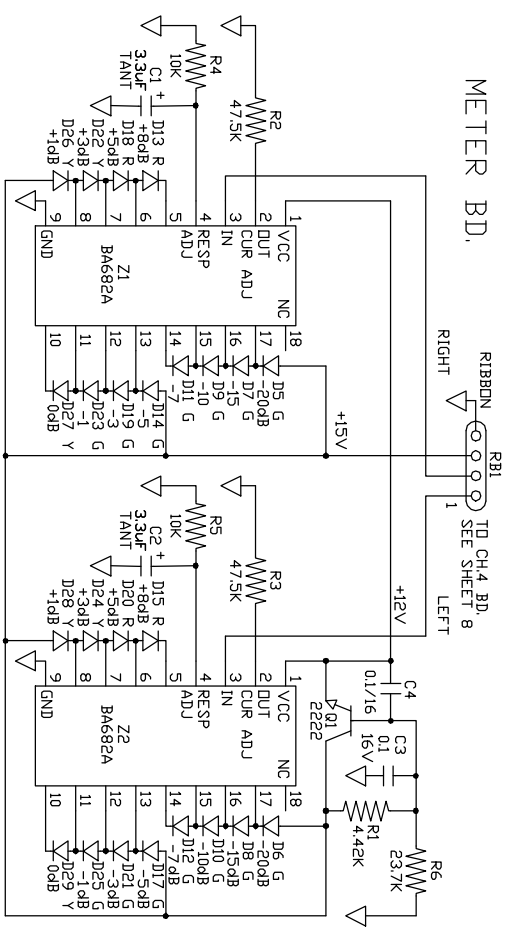


ACTION: NEW MODEL NAME: NEW DOC#
 DRAWN: RWJ DATE: 30SEP92
 CHECKED: SPT DATE: 30SEP92
 SHEET: 6 OF 9
 REVISED: SKH APPROVED: RWJ DATE: 21SEP98
 DD NOT SCALE DRAWING



Corp. 10802 47th Avenue West, Mukilteo
 WA 98275-5098 (425) 355-6000

TITLE: SCHEM MASTER & MIC BOARD
 MP 24Z
 DOC. NO. 102238



ACTION: NEW MODEL NAME: NEW DDC#
 DRAWN: RWJ DATE: 05DCT92 CHECKED: SKH DATE: 11MAY93 SHEET: 9 OF 9 REVISED: SKH APPROVED: RWJ DATE: 21SEP98
 DD NOT SCALE DRAWING

Corp. 10802 47th Avenue West, Mukilteo
 WA 98275-5098 (425) 355-6000

RANE

TITLE:
 SCHEM PWR SUP, METER & MISC.
 MP 24Z

DDC. NO.
 102238