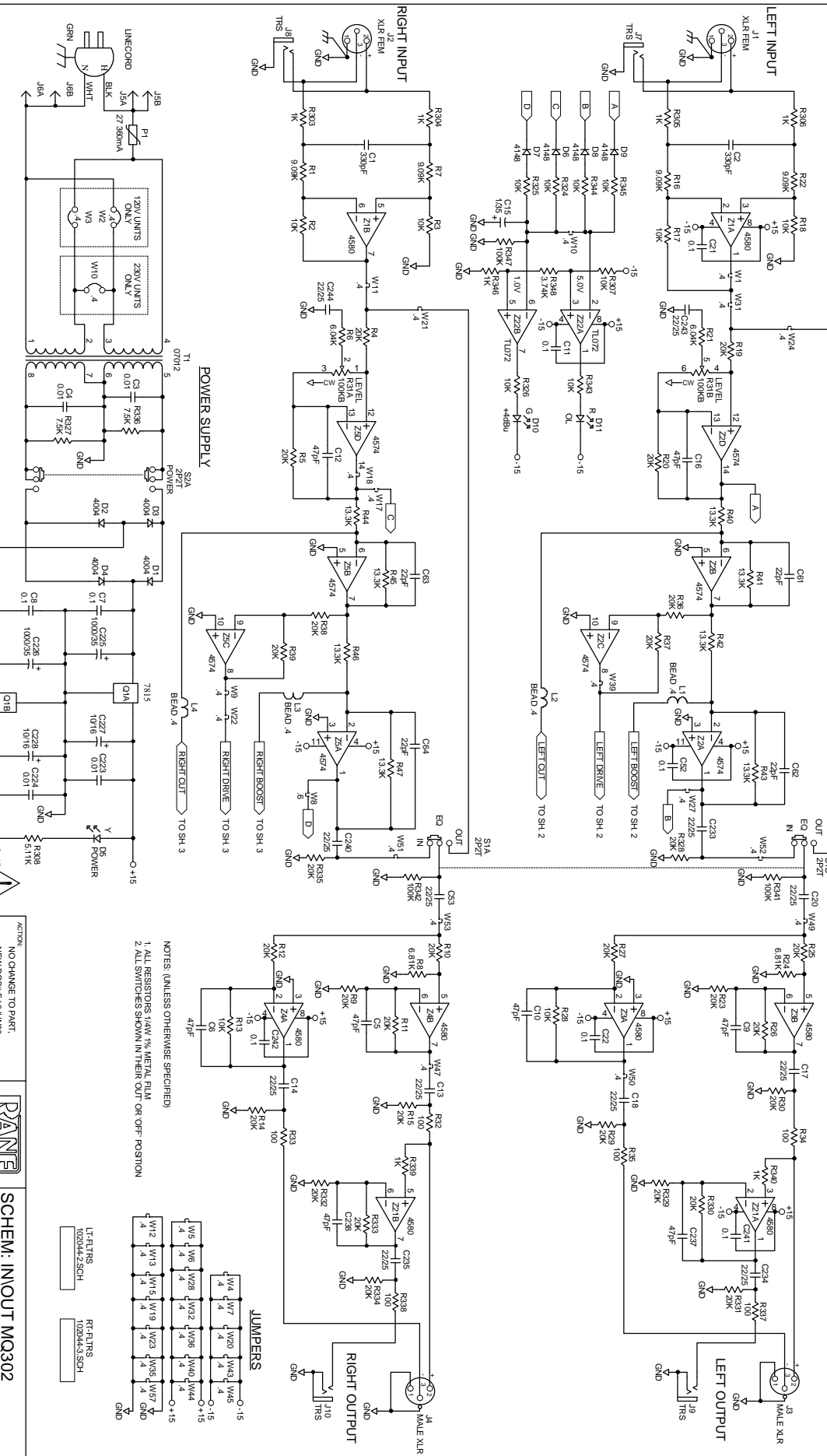


Rane Corp. (425)355-6000
 101334 DES: MAIN/SLIDER MQ302
 ACTION: NEW PRODUCT SKH 25FEB98



NOTES: (UNLESS OTHERWISE SPECIFIED)
 1. ALL RESISTORS 1/4W 1% METAL FILM
 2. ALL SWITCHES SHOWN IN THEIR OUT OR OFF POSITION

JUMPERS

W1	W2	W3	W4	W5	W6	W7	W8	W9	W10	W11	W12	W13	W14	W15	W16	W17	W18	W19	W20	W21	W22	W23	W24	W25	W26	W27	W28	W29	W30
1	1	1	1	1	1	1	1	1	1	1	1	1	1	1	1	1	1	1	1	1	1	1	1	1	1	1	1	1	1

LT-FILTERS 102044-2.SCH
 RT-FILTERS 102044-3.SCH

ACTION: NO CHANGE TO PART.
 DRAWING BY: NEW DOOH-FJ-SUNBBS
 CHECKED BY: STEPHENCK
 RJEFFS

SCHEM. IN/OUT MQ302
 SHEET 1 OF 3
 102044

102044-1.SCH
 Makino V.A. 98275-5098

