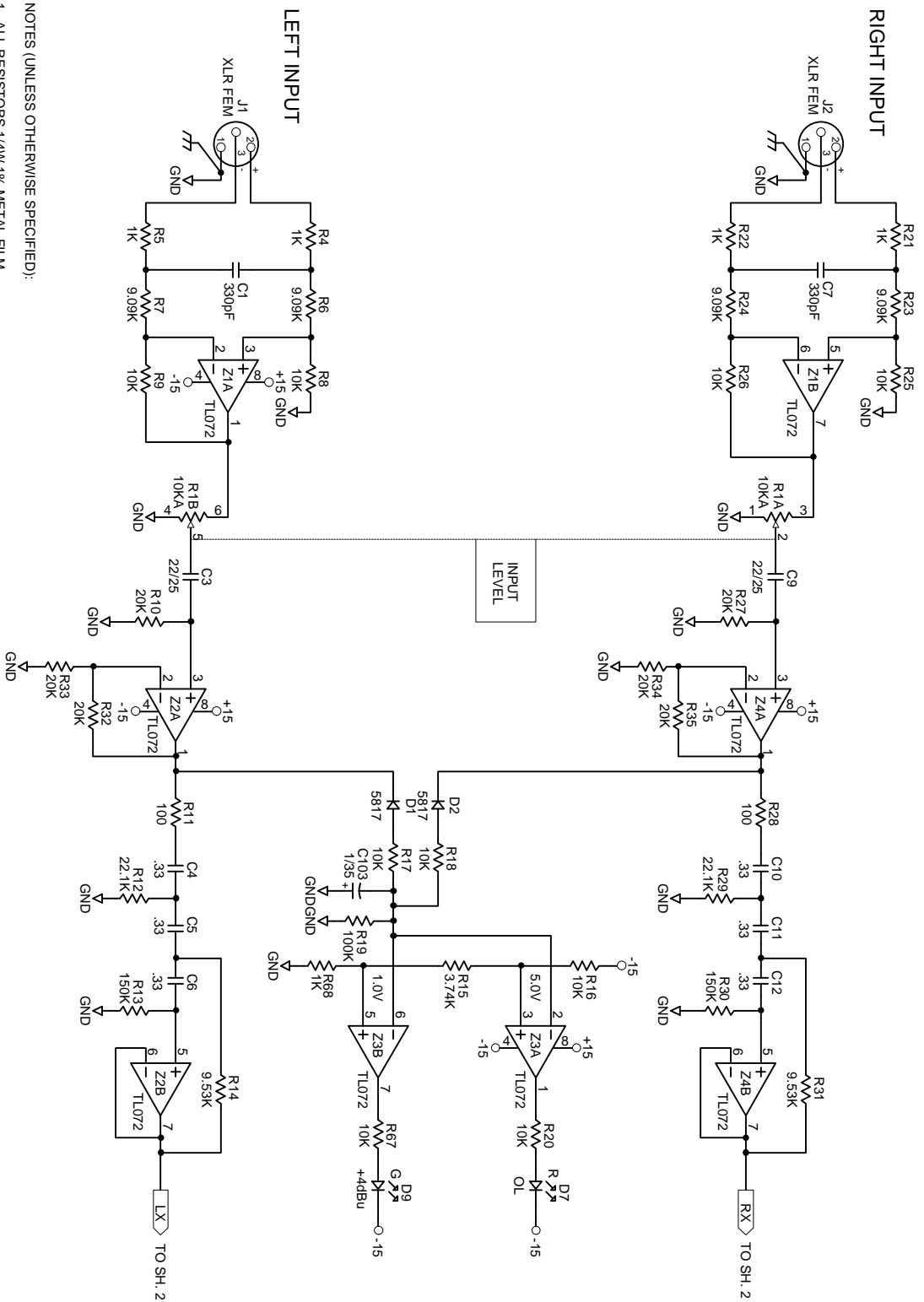


Rane Corp. (425)355-6000
 100609 DES MX 23
 ACTION: NO CHANGE TO PART, NEW DOC# FJ 16JAN98





NOTES (UNLESS OTHERWISE SPECIFIED):

1. ALL RESISTORS 1/4W, 1% METAL FILM
2. ALL SWITCHES SHOWN IN THEIR 'OUT' OR 'OFF' POSITION

LOW CROSSOVER 100459-2-SCH
 MID/HIGH CROSSOVER 100459-3-SCH
 LOW/SUB OUTPUTS 100459-4-SCH
 MID/HIGH OUTPUTS/POWER 100459-5-SCH

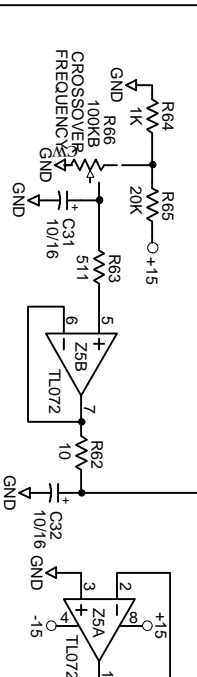
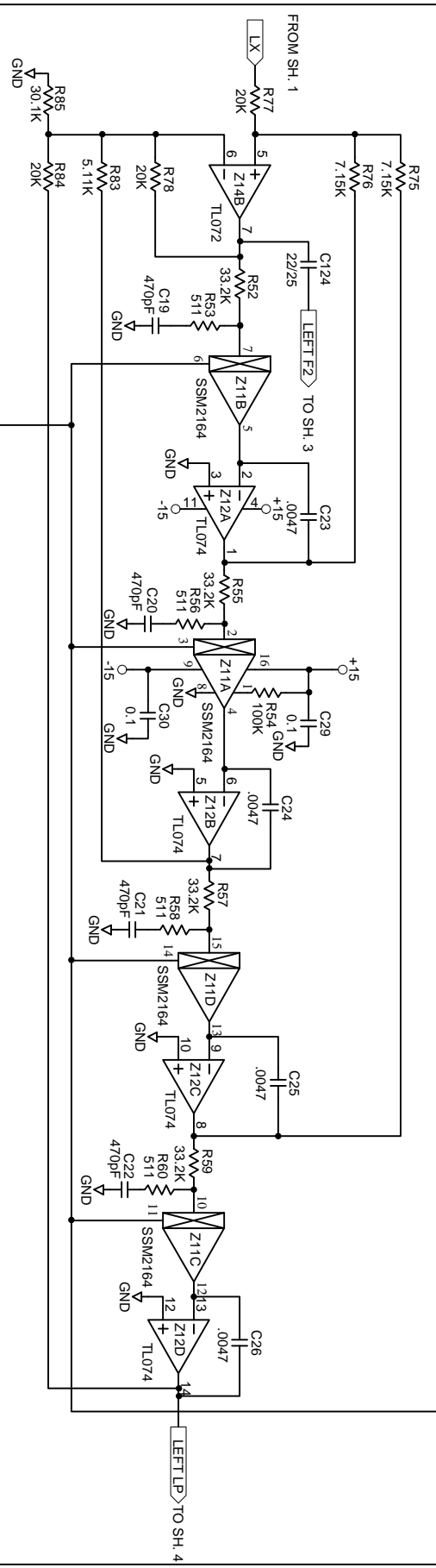
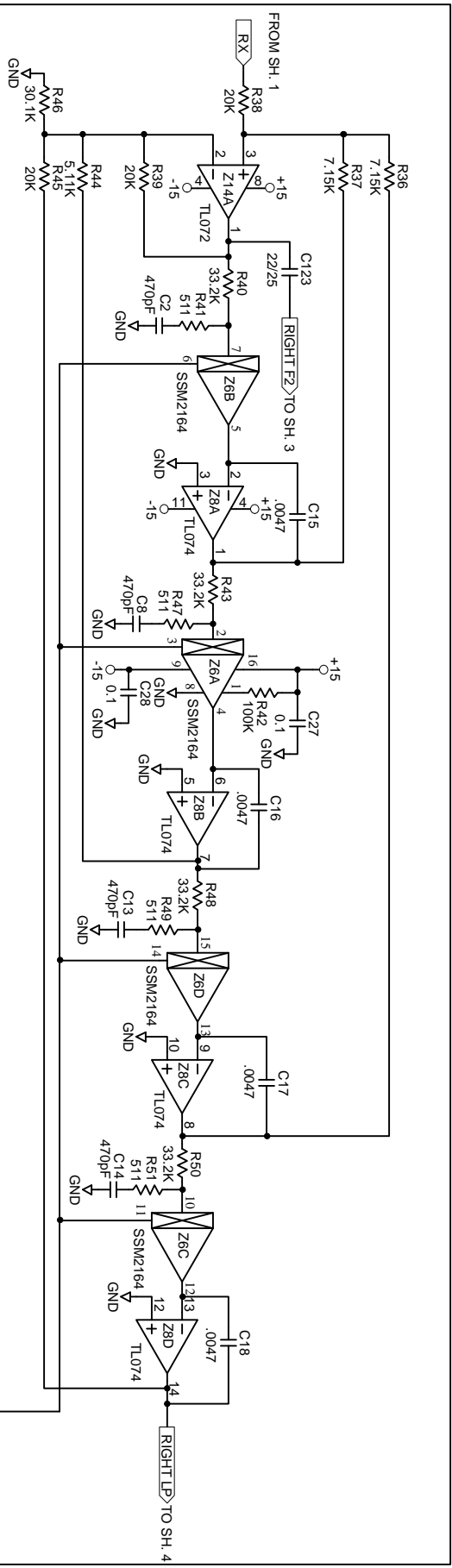
ACTION: NO CHANGE TOPART
 NEW DOC# FJ 16LAN98
 SCHEM: INPUTS MX 23

DRAWN BY: S HEADRECK
 CHECKED BY: R JEFFS
 SHEET: 1 of 5

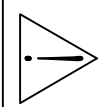


10802 47th Avenue West
 Mukwonago, WI 53091

100459



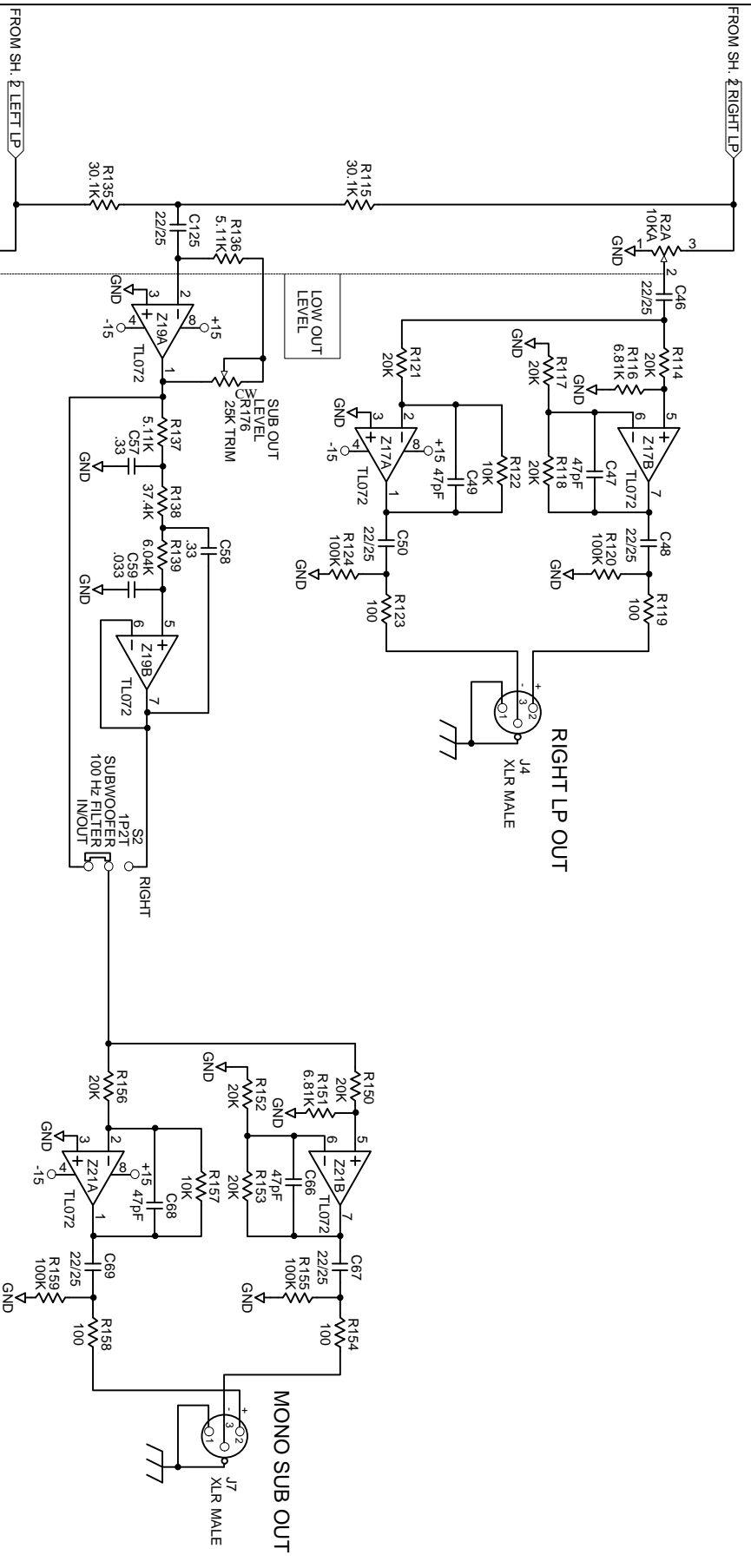
VOLTAGE RANGE = 7V -> 20V
 FREQUENCY RANGE = 80 Hz -> 1 kHz



ACTION: NO CHANGE TO PART.
 DRAWN BY: NEW DOC# E116ANV98
 CHECKED BY: R. JEFFS



SCHEM: LOW XOVER MX 23
 SHEET: 2 of 5
 100459



FROM SH. 2 RIGHT LP

FROM SH. 2 LEFT LP

RIGHT LP OUT

LEFT LP OUT

MONO SUB OUT

RIGHT

LEFT

1P2T 100 Hz FILTER IN/OUT

J4 XLR MALE

J5 XLR MALE

J7 XLR MALE

ACTION: NO CHANGE TO PART.
NEW DOC# FJ 16JAN98

DRAWN BY: S HEADRICK

CHECKED BY: R JEFFS

10802 47th Avenue West
Maple Ridge WA 98279 5038

SCHEM: LOW/SUB OUTS MX 23

SHEET: 4 of 5

100459

