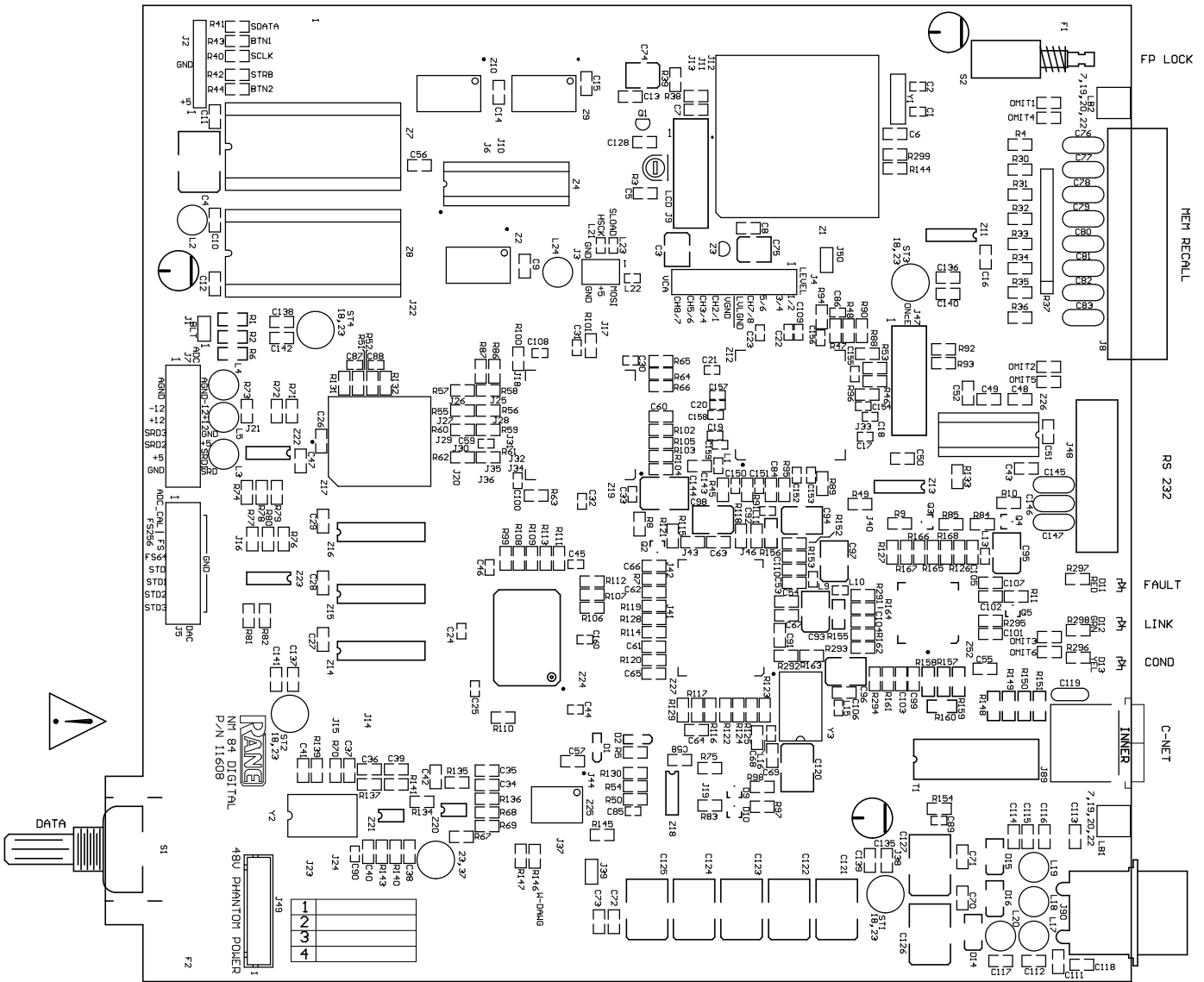


RANE
 NM 48 CONVERTER
 P/N 11237

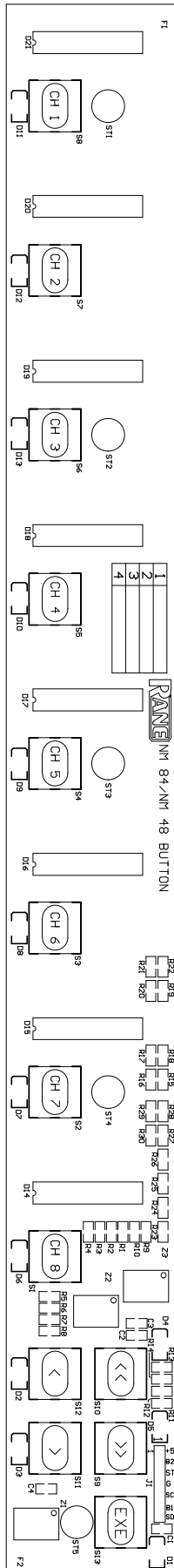
108986 FILM I OF 5 SILK SCREEN NM 48 CONVERTER (P/N 11237)

12

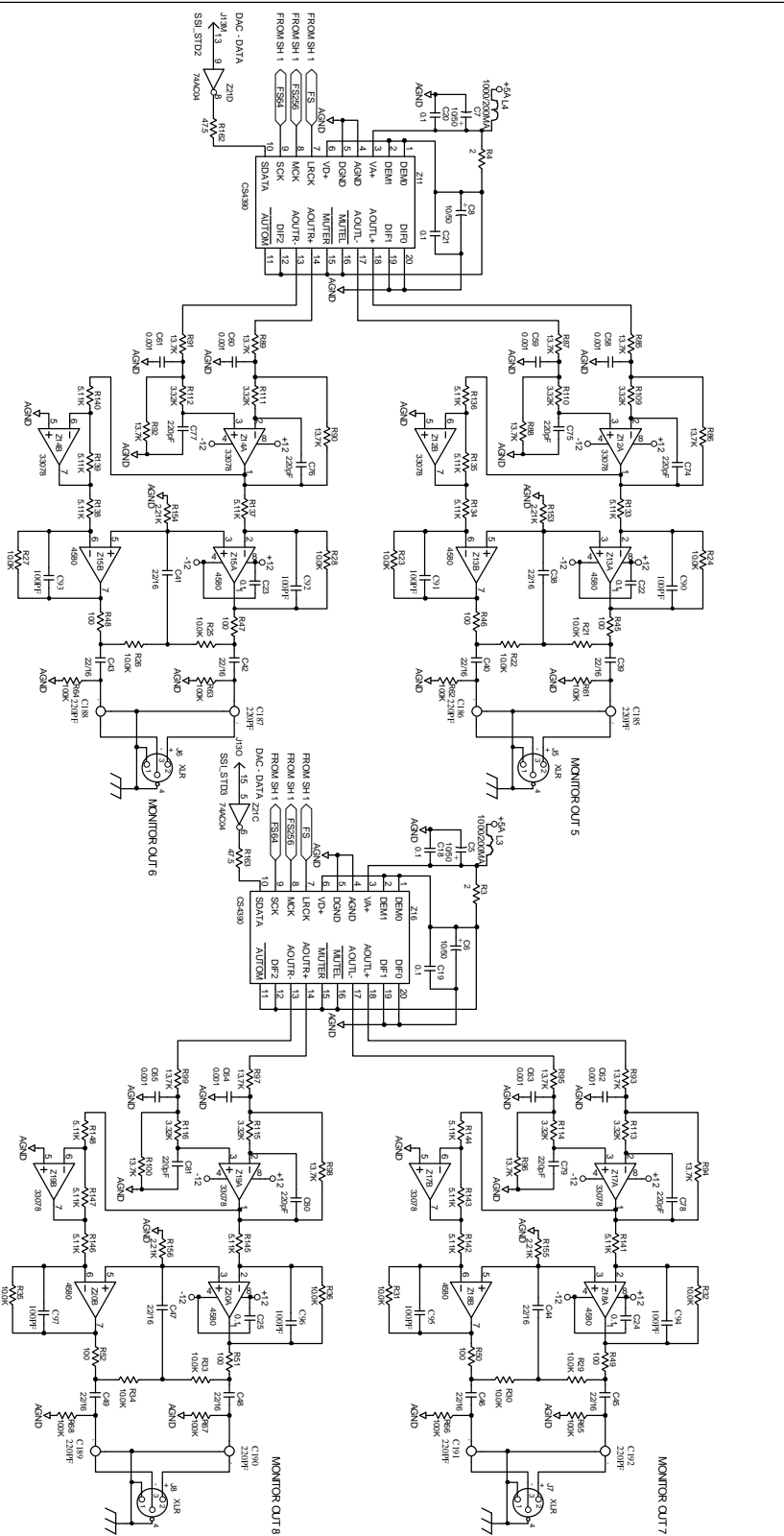
Rane Corp. (425)355-6000
 104508 DES: CONVERTER NM 48
 ACTION: REMOVED STAR WASHER FROM L-BRACKETS <REF DES 7> RWJ 30NOV00



Rane Corp. (425)355-6000
 104284 DES: DIGITAL NM 84 SHEET 1 OF 2
 ACTION: MOVED AND ADDED MANY PARTS KRB 07AUG00



Rane Corp. (425)355-6000
 105242 DES: BUTTON NM 84
 ACTION: MANY PARTS MOVED, WAS 102625 SKH 3JUL01



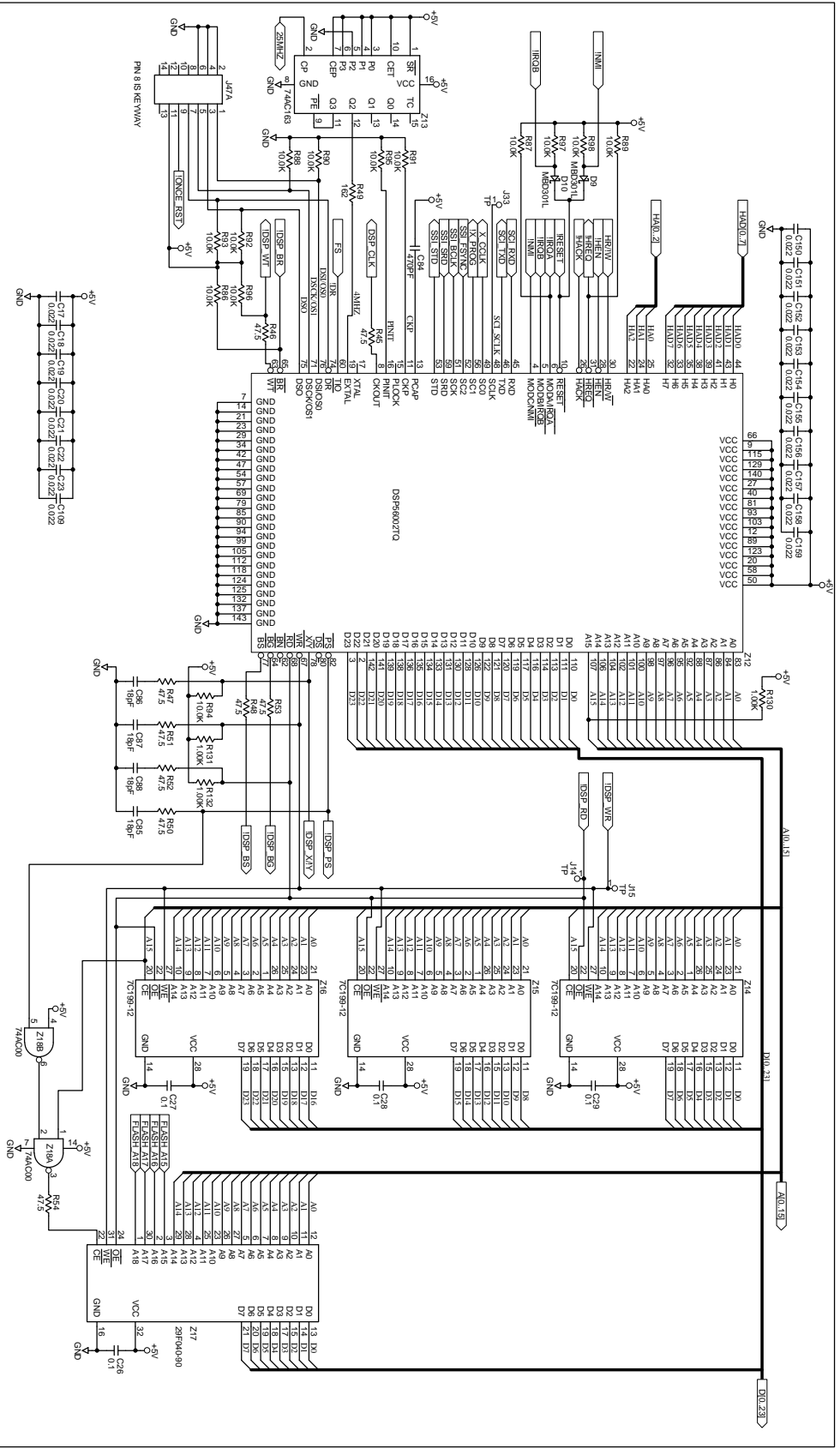
ACTOR	DESIGNER	DATE	PROJECT	NO.	REV.	DATE	PROJECT	NO.	REV.	DATE	PROJECT	NO.	REV.	DATE

PANE
10802 8TH Avenue West
Maple Valley WA 98149-5088

MAIN OUT 5,6,7,8 NM 48

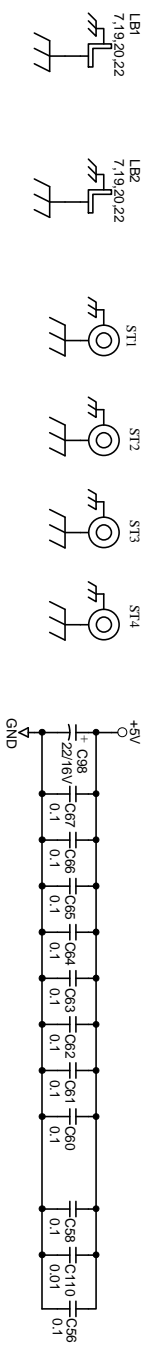
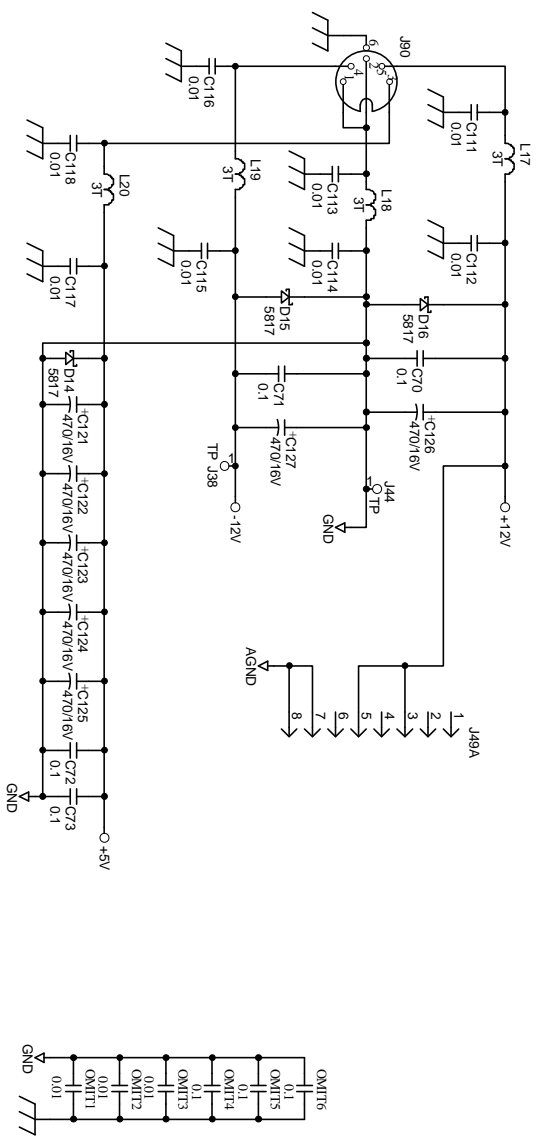
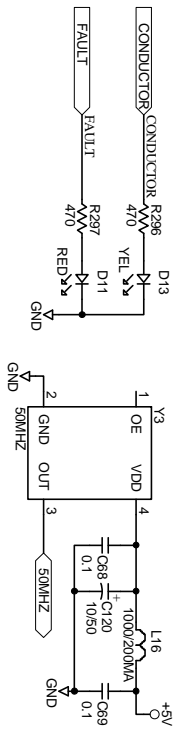
SHEET 2 of 4

102746



ACTIVE
 WAS 02744, AMBER CIRCLED
 MOVED C.A. C.S. SMT 4.0 (99) W.A.S. 0.04
 DRAWN BY: DSC
 CHECKED BY:

RANE
 10802 27th Avenue West
 Hawthorn WA 6107-3088
 SHEET 2 OF 6
DSP & MEMORY NM 84/NM 48
 104104



ACTION:
 WAS 102744, MOVED C99, C100, C108
 (SHT 3), MOVED C109 (SHT 2)

DRAWN BY: DSC CHECKED BY:



10802, 47th Avenue West
 Mukilteo WA 98275-5098

POWER SUPPLY NM 84/NM 48

SHEET: 6 of 6

104104